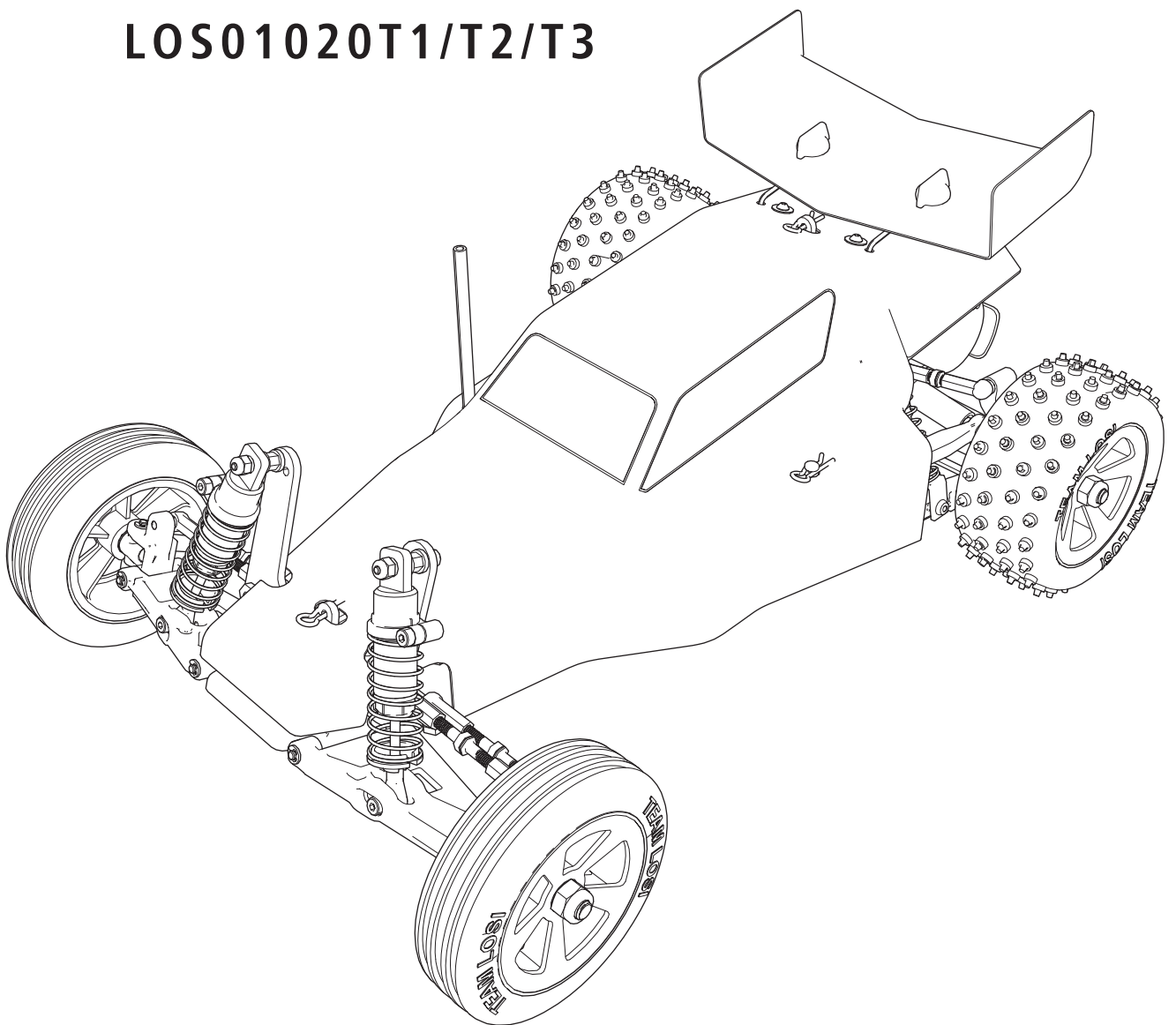




# MINI JRX2

1/16 SCALE 2WD BUGGY  
LOS01020T1/T2/T3



**INSTRUCTION MANUAL**  
**BEDIENUNGSANLEITUNG**  
**MANUEL D'UTILISATION**  
**MANUALE DI ISTRUZIONI**

Before operating this vehicle, please read all printed materials thoroughly. Horizon Hobby is not responsible for inadvertent errors in this manual.



## NOTICE

All instructions, warranties and other collateral documents are subject to change at the sole discretion of Horizon Hobby, LLC. For up-to-date product literature, visit [www.horizonhobby.com](http://www.horizonhobby.com) or [www.towerhobbies.com](http://www.towerhobbies.com) and click on the support or resources tab for this product.

## MEANING OF SPECIAL LANGUAGE

The following terms are used throughout the product literature to indicate various levels of potential harm when operating this product:

**WARNING:** Procedures, which if not properly followed, create the probability of property damage, collateral damage, and serious injury OR create a high probability of superficial injury.

**CAUTION:** Procedures, which if not properly followed, create the probability of physical property damage AND a possibility of serious injury.

**NOTICE:** Procedures, which if not properly followed, create a possibility of physical property damage AND a little or no possibility of injury.



**WARNING:** Read the ENTIRE instruction manual to become familiar with the features of the product before operating. Failure to operate the product correctly can result in damage to the product, personal property and cause serious injury.

This is a sophisticated hobby product. It must be operated with caution and common sense and requires some basic mechanical ability. Failure to operate this Product in a safe and responsible manner could result in injury or damage to the product or other property. This product is not intended for use by children without direct adult supervision. Do not use with incompatible components or alter this product in any way outside of the instructions provided by Horizon Hobby, LLC. This manual contains instructions for safety, operation and maintenance. It is essential to read and follow all the instructions and warnings in the manual, prior to assembly, setup or use, in order to operate correctly and avoid damage or serious injury.

**Age Recommendation: Not for children under 14 years. This is not a toy.**

## SAFETY PRECAUTIONS AND WARNINGS

- Always keep a safe distance in all directions around your model to avoid collisions or injury. This model is controlled by a radio signal subject to interference from many sources outside your control. Interference can cause momentary loss of control.
- Always operate your model in open spaces away from full-size vehicles, traffic and people.
- Always carefully follow the directions and warnings for this and any optional support equipment (chargers, rechargeable battery packs, etc.).
- Always keep all chemicals, small parts and anything electrical out of the reach of children.
- Always avoid water exposure to all equipment not specifically designed and protected for this purpose. Moisture causes damage to electronics.
- Never place any portion of the model in your mouth as it could cause serious injury or even death.
- Never operate your model with low transmitter batteries.

## TABLE OF CONTENTS

|   |    |
|---|----|
| REGISTER YOUR LOSI PRODUCT ONLINE .....                   | 2  |
| COMPONENTS .....  | 2  |
| RECOMMENDED ACCESSORIES .....                             | 2  |
| TOOLS INCLUDED .....                                      | 2  |
| CONTENTS .....  | 3  |
| WATER-RESISTANT VEHICLE WITH WATERPROOF ELECTRONICS ..... | 3  |
| GENERAL PRECAUTIONS .....                                 | 3  |
| WET CONDITIONS MAINTENANCE .....                          | 3  |
| QUICK START .....   | 3  |
| CHARGING WARNINGS .....                                   | 4  |
| CHARGING THE BATTERY .....                                | 4  |
| INSTALLING THE BATTERY AND POWERING ON THE VEHICLE .....  | 4  |
| TRANSMITTER .....   | 5  |
| ASSEMBLING AND DISASSEMBLING THE TRANSMITTER HANDLE ..... | 5  |
| INSTALLING THE TRANSMITTER BATTERIES .....                | 5  |
| ADJUSTING THE DUAL RATES .....                            | 5  |
| BINDING .....   | 5  |
| CONTROL TEST .....  | 6  |
| DRIVING PRECAUTIONS .....                                 | 6  |
| RUN TIME .....  | 6  |
| GETTING STARTED .....                                     | 6  |
| OPERATION .....   | 6  |
| TUNING, ADJUSTING AND MAINTAINING THE VEHICLE .....       | 7  |
| SERVICE/REPAIR .....                                      | 7  |
| SHOCK CLEANING .....                                      | 7  |
| TROUBLESHOOTING GUIDE .....                               | 8  |
| LIMITED WARRANTY .....                                    | 9  |
| WARRANTY AND SERVICE CONTACT INFORMATION .....            | 10 |
| FCC INFORMATION .....                                     | 10 |
| IC INFORMATION .....                                      | 10 |
| EU COMPLIANCE STATEMENT .....                             | 10 |
| PARTS LISTINGS .....                                      | 35 |
| OPTIONAL PARTS .....                                      | 36 |
| EXPLODED VIEW .....                                       | 36 |

## REGISTER YOUR LOSI PRODUCT ONLINE

Register your vehicle now and be the first to find out about the latest option parts, product updates and more. Click on the Support tab at [www.LOSI.com](http://www.LOSI.com) and follow the product registration link to stay connected.

## COMPONENTS

- Losi® 1/16 Mini JRX2™ RTR 2WD Buggy
  - Spektrum® 2-CH 2.4GHz Transmitter (SPMRS200F)
  - Spektrum® ESC/Receiver 2.4GHz: 1/18 (SPMXSE2025RXF)
  - Firma 42T 280 Brushed Motor (SPMXSM5100)
  - Spektrum™ SX107 Micro Metal Gear Servo (SPMSSX107)
  - Dynamite® 7.4V 650mAh 2S 20C LiPo Hardcase: EC2 (DYNB65021H2)
  - Dynamite® USB 2S LiPo charger (DYNC1063)
  - 4 AA batteries (for transmitter)

## RECOMMENDED ACCESSORIES

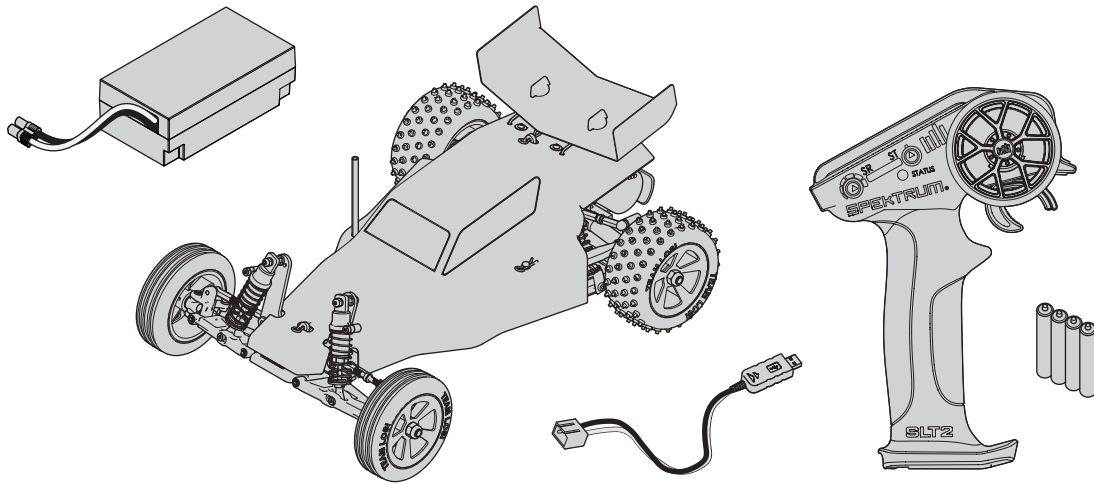
- Soft bristle brush for cleaning
- Startup Tool Set: Metric (DYN2834)
- Thread Lock

## TOOLS INCLUDED

- 4-Way Wrench
- 1.5mm Hex "L" Wrench

Use only Dynamite® tools or other high-quality tools. Other tools can cause damage to the small screws and parts used on this model.

## CONTENTS



## WATER-RESISTANT VEHICLE WITH WATERPROOF ELECTRONICS

Your new Horizon Hobby vehicle has been designed and built with a combination of waterproof and water-resistant components to allow you to operate the product in many “wet conditions,” including puddles, creeks, wet grass, snow and even rain.

While the entire vehicle is highly water-resistant, it is not completely waterproof and your vehicle should NOT be treated like a submarine. The various electronic components used in the vehicle, such as the Electronic Speed Control (ESC), servo(s) and receiver are waterproof, however, most of the mechanical components are water-resistant and should not be submerged.

Metal parts, including the bearings, hinge pins, screws and nuts, as well as the contacts in the electrical cables, will be susceptible to corrosion if additional maintenance is not performed after running in wet conditions. To maximize the long-term performance of your vehicle and to keep the warranty intact, the procedures described in the “Wet Conditions Maintenance” section below must be performed regularly if you choose to run in wet conditions. If you are not willing to perform the additional care and maintenance required, then you should not operate the vehicle in those conditions.



**CAUTION:** Failure to exercise caution while using this product and complying with the following precautions could result in product malfunction and/or void the warranty.

### GENERAL PRECAUTIONS

- Read through the wet conditions maintenance procedures and make sure that you have all the tools you will need to properly maintain your vehicle.
- Not all batteries can be used in wet conditions. Consult the battery manufacturer before use. Caution should be taken when using Li-Po batteries in wet conditions.
- Most transmitters are not water-resistant. Consult your transmitter’s manual or the manufacturer before operation.
- Never operate your transmitter or vehicle where lightning may be present.
- Do not operate your vehicle where it could come in contact with salt water (ocean water or water on salt-covered roads), contaminated or polluted water. Salt water is very conductive and highly corrosive, so use caution.
- Even minimal water contact can reduce the life of your motor if it has not been certified as water-resistant or waterproof. If the motor becomes excessively wet, apply very light throttle until the water is mostly removed from the motor. Running a wet motor at high speeds may rapidly damage the motor.

## QUICK START

Please read the entire manual to gain a full understanding of the Mini-B vehicle, fine-tuning the setup and performing maintenance.

1. Read the safety precautions found in this manual.
2. Charge the battery. Refer to the included charging warnings and instructions for battery charging information.
3. Install the AA batteries in the transmitter. Only use alkaline or rechargeable batteries.
4. Install a fully charged battery in the vehicle.
5. Power ON the transmitter and then the vehicle. Always power the transmitter ON before the vehicle and power it OFF after the vehicle has been powered OFF.
6. Check the steering and throttle control directions. Verify that the servos are moving in the correct direction.
7. Drive your vehicle.
8. Perform any necessary maintenance.

- Driving in wet conditions can reduce the life of the motor. The additional resistance of operating in water causes excess strain. Alter the gear ratio by using a smaller pinion or larger spur gear. This will increase torque (and motor life) when running in mud, deeper puddles, or any wet conditions that will increase the load on the motor for an extended period of time.

### WET CONDITIONS MAINTENANCE

- Drain any water that has collected in the tires by spinning them at high speed. With the body removed, place the vehicle upside down and pull full throttle for a few short bursts until the water has been removed.



**CAUTION:** Always keep hands, fingers, tools and any loose or hanging objects away from rotating parts when performing the above drying technique.

- Remove the battery pack(s) and dry the contacts. If you have an air compressor or a can of compressed air, blow out any water that may be inside the recessed connector housing.
- Remove the tires/wheels from the vehicle and gently rinse the mud and dirt off with a garden hose. Avoid rinsing the bearings and transmission.

**NOTICE:** Never use a pressure washer to clean your vehicle.

- Use an air compressor or a can of compressed air to dry the vehicle and help remove any water that may have gotten into small crevices or corners.
- Spray the bearings, drive train, fasteners and other metal parts with a water-displacing light oil. Do not spray the motor.
- Let the vehicle air dry before you store it. Water (and oil) may continue to drip for a few hours.
- Increase the frequency of disassembly, inspection and lubrication of the following:
  - Front and rear axle hub assembly bearings.
  - All transmission cases, gears and differentials.
  - Motor—clean with an aerosol motor cleaner and re-oil the bushings with lightweight motor oil.

## CHARGING WARNINGS

**CAUTION:** All instructions and warnings must be followed exactly. Mishandling of Li-Po batteries can result in a fire, personal injury and/or property damage.

- **NEVER LEAVE CHARGING BATTERIES UNATTENDED.**
- **NEVER CHARGE BATTERIES OVERNIGHT.**
- By handling, charging or using the included Li-Po battery, you assume all risks associated with lithium batteries.
- If at any time the battery begins to balloon or swell, discontinue use immediately. If charging or discharging, discontinue and disconnect. Continuing to use, charge or discharge a battery that is ballooning or swelling can result in fire.
- Always store the battery at room temperature in a dry area for best results.
- Always transport or temporarily store the battery in a temperature range of 40–120° F (5–49° C).
- Do not store battery or model in a car or direct sunlight. If stored in a hot car, the battery can be damaged or even catch fire.
- Always charge batteries away from flammable materials.

- Always inspect the battery before charging.
- Always disconnect the battery after charging, and let the charger cool between charges.
- Always constantly monitor the temperature of the battery pack while charging.
- **ONLY USE A CHARGER SPECIFICALLY DESIGNED TO CHARGE LI-PO BATTERIES.** Failure to charge the battery with a compatible charger may cause a fire resulting in personal injury and/or property damage.
- Never discharge Li-Po cells to below 3V under load.
- Never cover warning labels with hook and loop strips.
- Never charge batteries outside recommended levels.
- Never charge damaged batteries.
- Never attempt to dismantle or alter the charger.
- Never allow minors to charge battery packs.
- Never charge batteries in extremely hot or cold places (recommended between 40–120° F or [5–49° C]) or place in direct sunlight.

## CHARGING THE BATTERY

**NOTICE:** Charge only batteries that are cool to the touch and are not damaged. Inspect the battery to make sure it is not damaged e.g., swollen, bent, broken or punctured.

**CAUTION:** Only use chargers specifically designed to charge the included Li-Po battery. Failure to do so could result in fire, causing injury or property damage.

**CAUTION:** Never exceed the recommended charge rate.

Use only the included USB charger to charge the battery.

1. Connect the charger to a suitable USB power port. The charger will work with most 5V mobile power sources or smartphone chargers with at least 1 amp of power output.

**NOTICE:** Charging the battery with a USB power port with less than 1 amp of power output can produce heat.

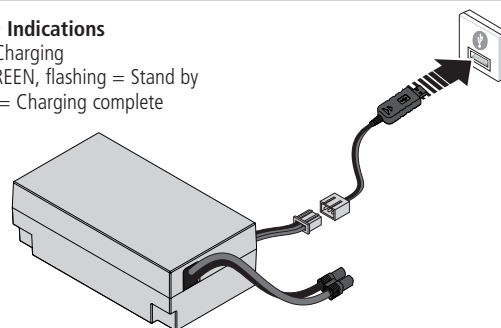
2. Connect the charge lead to the battery, noting correct polarity. Charging a fully discharged battery takes approximately 45–60 minutes. Charge times may vary depending on the power source.

3. Remove the battery from the charger when the charging cycle is complete.
4. Remove the charger from the power supply.

**CAUTION:** Once charging is complete, immediately remove the battery. Never leave a battery connected to the charger.

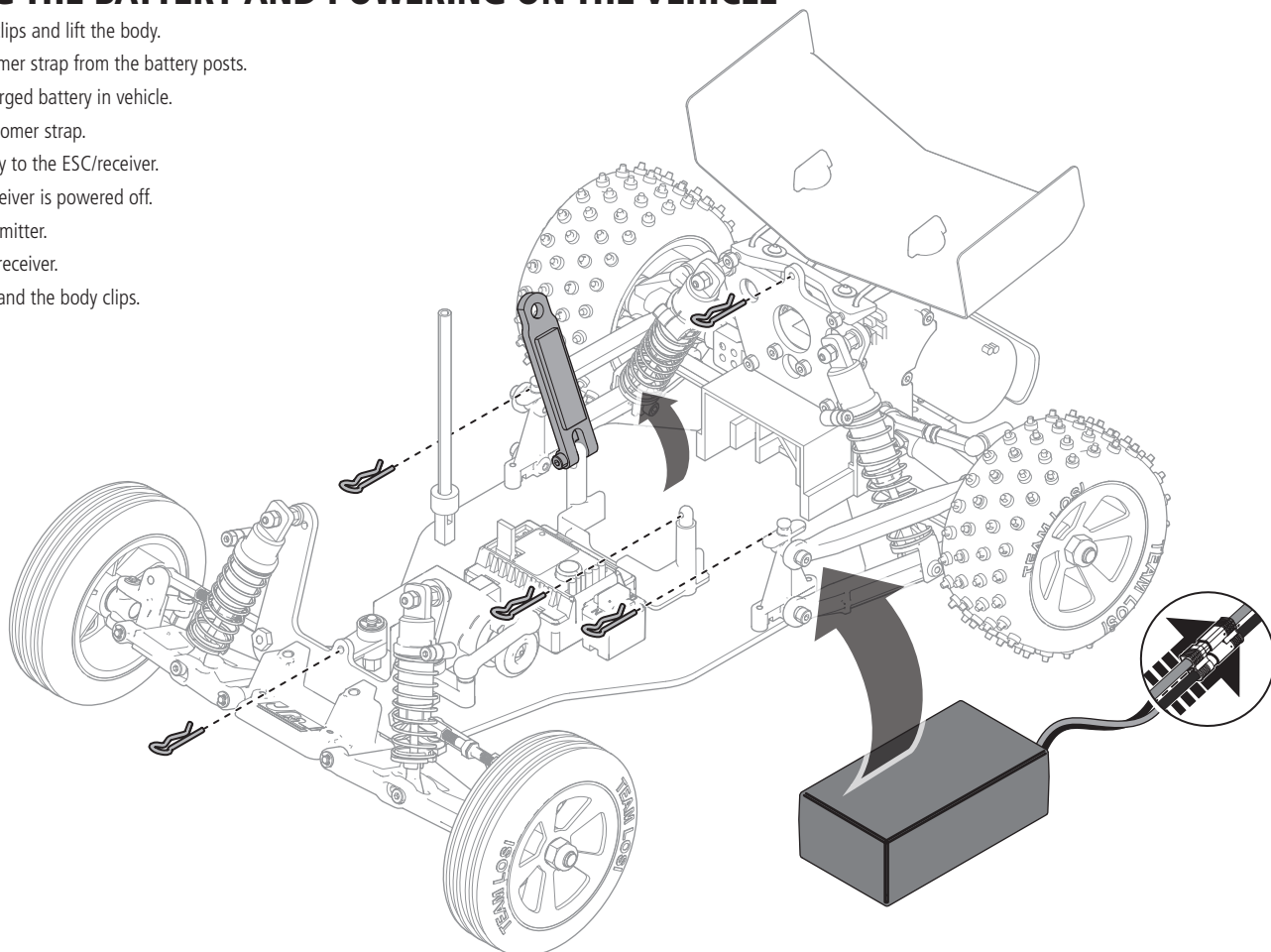
### Charger LED Indications

RED, solid = Charging  
 RED, solid; GREEN, flashing = Stand by  
 GREEN, solid = Charging complete

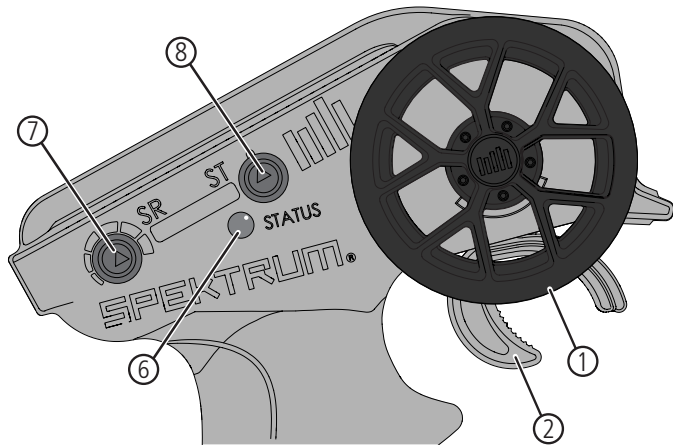


## INSTALLING THE BATTERY AND POWERING ON THE VEHICLE

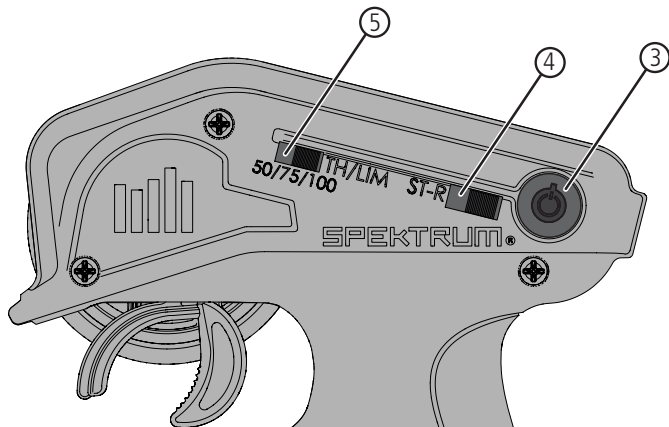
1. Remove the body clips and lift the body.
2. Remove the elastomer strap from the battery posts.
3. Install the fully charged battery in vehicle.
4. Re-secure the elastomer strap.
5. Connect the battery to the ESC/receiver.
6. Ensure the ESC/receiver is powered off.
7. Power on the transmitter.
8. Power on the ESC/receiver.
9. Reinstall the body and the body clips.



## SLT2 TRANSMITTER



1. **Steering Wheel** Controls direction (left/right) of the model
2. **Throttle Trigger** Controls speed and direction (forward/brake/reverse) of the model
3. **Power Button** Turns the power ON/OFF
4. **Steering (ST-R) Servo Reversing** Reverses the steering channel
5. **Throttle Limit** Limits throttle output to 50/75/100%  
Select 50% or 75% for less experienced drivers or when you are driving the vehicle in a small area
6. **Indicator Lights**
  - **Solid red light**—Indicates radio connectivity and adequate battery power
  - **Flashing red light**—Indicates the battery voltage is critically low. Replace the batteries
7. **Steering Rate** Adjusts the steering end points
8. **Steering Trim** Adjusts the steering center point



### INSTALLING THE TRANSMITTER BATTERIES

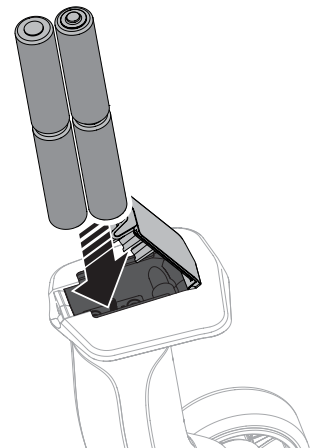
This transmitter requires 4 AA batteries.

1. Remove the battery cover from the transmitter.
2. Install the batteries as shown.
3. Install the battery cover.

**CAUTION:** Never remove the transmitter batteries while the model is powered ON. Loss of model control, damage, or injury may occur.

**CAUTION:** If using rechargeable batteries, charge only rechargeable batteries. Charging non-rechargeable batteries may cause the batteries to burst, resulting in injury to persons and/or damage to property.

**CAUTION:** Risk of explosion if battery is replaced by an incorrect type. Dispose of used batteries according to national regulations.



### BINDING

Binding is the process of programming the receiver to recognize the GUID (Globally Unique Identifier) code of a single specific transmitter. **The transmitter and receiver are bound at the factory.** If you need to rebind, follow the instructions below:

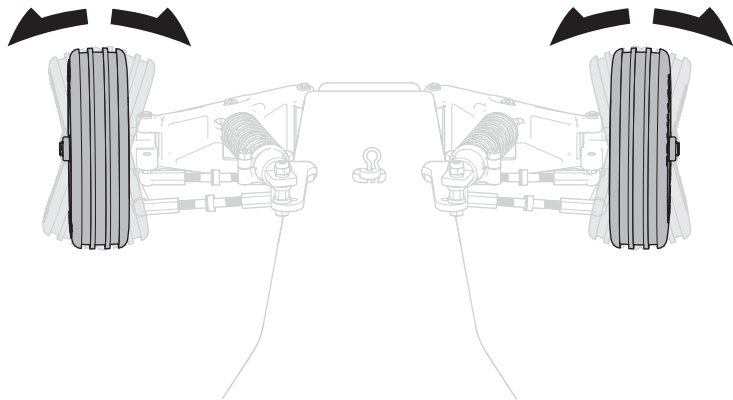
1. Insert the bind plug into the bind port of the receiver.
2. Connect a fully charged battery to the ESC.
3. Power on the ESC

4. Power ON the transmitter. The receiver's red LED will turn solid when the bind is successful.
5. Power OFF the ESC to save the settings.
6. Power OFF the transmitter.

You must rebind when binding the receiver to a different transmitter.

**NOTICE:** Do not attempt to bind the transmitter and receiver if there are other compatible transmitters in bind mode within 400 feet. Doing so may result in unexpected binding.

## CONTROL TEST



Perform a control test with the vehicle wheels off the ground. If the wheels rotate after the vehicle is powered ON, adjust the Throttle Trim until they stop. To make the wheels move forward, pull the trigger. To reverse them, wait for the wheels to stop, then push the trigger. When moving forward, the wheels should maintain a straight line without any steering wheel input. If not, adjust the Steering Trim, so the wheels maintain a straight line without having to turn the steering wheel.

## DRIVING PRECAUTIONS

- Maintain sight of the vehicle at all times.
- Inspect the vehicle for loose wheel hardware.
- Inspect the steering assembly for any loose hardware. Driving the vehicle off-road can cause fasteners to loosen over time.
- Do not drive the vehicle in tall grass. Doing so can damage the vehicle or electronics.
- Stop driving the vehicle when you notice a lack of power. Driving the vehicle when the battery is discharged can cause the receiver to power off. You may lose control of the vehicle.
- Do not apply the throttle in forward or reverse if the vehicle is stuck. Applying throttle in this instance can damage the motor or ESC.
- After driving the vehicle, allow the electronics to cool to ambient temperature before using the next battery pack.

## RUN TIME

The condition of a battery pack is also an important factor in both run time and speed. The battery connectors may become hot during driving. Batteries will lose performance and capacity over time.

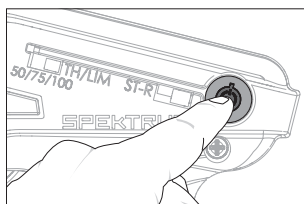
Driving the vehicle from a stop to full speed repeatedly will damage the batteries and electronics over time. Sudden acceleration will also lead to shorter run times.

### TO IMPROVE RUN TIMES

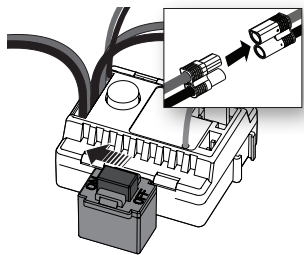
- Keep your vehicle clean and well maintained.
- Allow more airflow to the ESC and motor.
- Change the gearing to a lower ratio. A lower ratio lowers the operating temperature of the electronics. Use a smaller pinion gear or larger spur gear to lower the gear ratio.

## GETTING STARTED

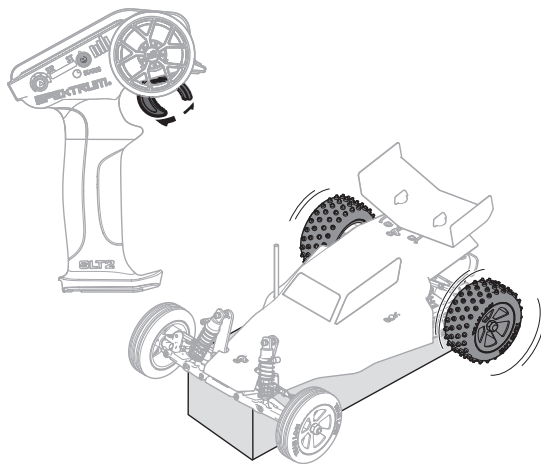
1. Power on the transmitter.



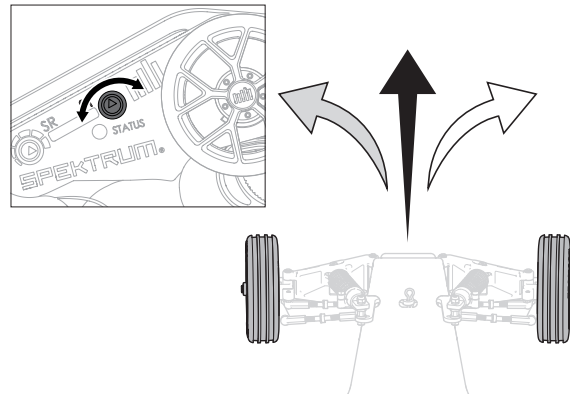
2. Power on the ESC.



3. Perform a test of the transmitter's control of the vehicle with the vehicle's wheels off the ground.



4. Start driving slowly, and, if the vehicle does not go straight, adjust the steering trim dial on the transmitter.



**IMPORTANT:** Seat the motor brushes by driving smoothly on a flat surface during use of the first battery charge. Properly seating the motor brushes will increase the life and performance of the motor.

## OPERATION

- **ALWAYS** turn on your transmitter before you turn on the receiver in the vehicle. Always power off the receiver before turning your transmitter off.
- **ALWAYS** operate your vehicle in a wide open area. Operating the vehicle in a small space or indoors can cause overheating at low speeds. Operating at low speed increases heat in the electronic speed control (ESC). Overheating can damage the vehicle and failure may result.

## TUNING, ADJUSTING AND MAINTAINING THE VEHICLE

- Examine your vehicle on a regular basis.
- Use a brush to remove dirt and dust.
- Look for damage to the suspension arms and other molded parts.
- Re-glue the tires to the wheels, if necessary.
- Use suitable tools to tighten fasteners.
- Make sure the camber and steering linkages are not bent. Replace any bent linkages.
- Adjust the Toe and Camber settings, if necessary.
- Remove the shocks and inspect them for damage. Rebuild the shocks if oil is leaking.
- Inspect electronics and batteries for exposed wires. Repair exposed wires with shrink-wrap or replace the wire.
- Make sure the ESC and receiver are secure on the chassis. Replace the double-sided tape, if necessary.
- Power on your transmitter. If the blue light is flashing, replace the AAA batteries in the transmitter.
- Check the spur gear for wear.

## SHOCK CLEANING

Oil-filled shocks will require regular maintenance due to the oil breaking down or getting dirty. This maintenance should be performed after about every 3–5 hours of use, depending on the driving conditions.

- Remove the shock from the vehicle.
- Remove the bottom cartridge from the shock body and dispose of fluid.
- Disassemble the shock. Clean thoroughly with a plastic- and electronic-safe degreaser (DYNE50001). Dry parts before assembly.
- Re-assemble the shock and refill the shock body with silicone fluid (22.5 weight recommended, TLR74003).
- Slowly move the shaft and piston up and down to remove air bubbles.
- Move the piston to the midway point of the body and install the bottom cartridge.
- Wipe off any overflowing fluid.
- Re-install the shock on the vehicle.

## RIDE HEIGHT ADJUSTMENT

Ride height is an adjustment that affects the way the vehicle jumps, turns and goes over bumps. Drop one end of the vehicle from approximately 6 inches (152 mm) in height onto a flat surface. When dropping the front of the vehicle, after the vehicle settles, make sure the front arms are equal and parallel to the flat surface. Do the same with the rear to make sure both arms are parallel with the flat surface.

Lowering the front ride height increases steering, but decreases traction. Lowering the rear ride height increases traction, but decreases steering.

## SERVICE/REPAIR

### RADIO/SPEED CONTROL AND MOTOR

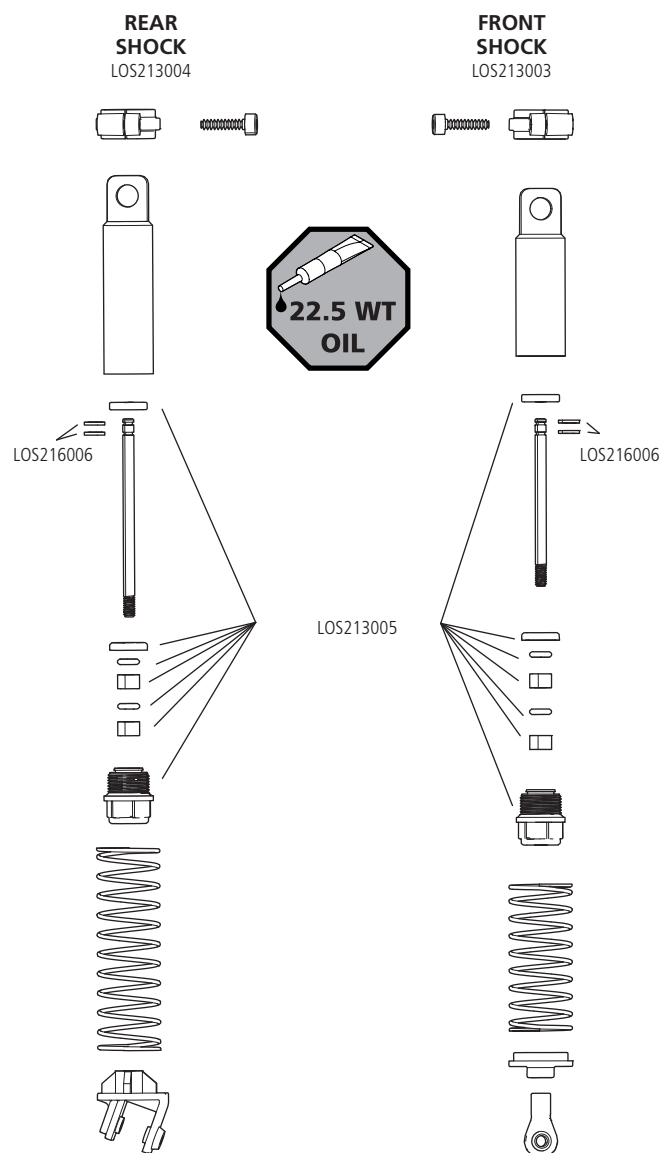
If any problems other than those covered in the troubleshooting section arise, please call the appropriate electronics service department. They will be able to give the problem additional specific attention and provide instructions for the solution.

### MAINTENANCE

If any questions other than those covered in the troubleshooting or maintenance sections arise, please call the appropriate Horizon product support department.

### CLEANING

Performance can be hindered if dirt gets in any of the moving suspension parts. Use compressed air, a soft paintbrush, or a toothbrush to remove dust or dirt. Avoid using solvents or chemicals as they can actually wash dirt into the bearings or moving parts, as well as cause damage to the electronics.



## TROUBLESHOOTING GUIDE

| PROBLEM                                    | POSSIBLE CAUSE                      | SOLUTION  |
|--|-------------------------------------|---|
| Vehicle does not operate                   | Battery not charged or plugged in   | Charge battery/plug in  |
|  | ESC switch not "On"                 | Turn on ESC switch  |
|  | Transmitter not "On" or low battery | Turn on/replace batteries   |
| Motor runs but rear wheels do not rotate   | Pinion not meshing with spur gear   | Adjust pinion/spur mesh   |
|  | Pinion spinning on motor shaft      | Tighten pinion gear setscrew on motor shaft flat spot   |
|  | Transmission gears stripped         | Replace transmission gears  |
|  | Drive pin broken                    | Check and replace drive pin   |
| Steering does not work                     | Servo plug not in receiver properly | Make sure the steering servo plug is connected to the receiver steering channel, noting proper polarity |
|  | Servo gears or motor damaged        | Replace or repair servo   |
| Will not turn one direction                | Servo gears damaged                 | Replace or repair servo   |
| Motor does not run                         | Motor wire solder joint is damaged  | Resolder the motor wire with the proper equipment   |
|  | Motor wire broken                   | Repair or replace as needed   |
|  | ESC damaged                         | Contact Horizon Hobby Product Support   |
| ESC gets hot                               | Motor over-gear                     | Use smaller pinion or larger spur gear  |
|  | Driveline bound up                  | Check wheels and transmission for binding   |
| Poor run time and/or sluggish acceleration | Battery pack not fully charged      | Recharge battery  |
|  | Charger not allowing full charge    | Try another charger   |
|  | Driveline bound up                  | Check wheels, transmission for binding  |
| Poor range and/or glitching                | Transmitter batteries low           | Check and replace   |
|  | Vehicle battery low                 | Recharge battery  |
|  | Loose plugs or wires                | Check all wire connections and plugs  |



## LIMITED WARRANTY

### What this Warranty Covers

Horizon Hobby, LLC, (Horizon) warrants to the original purchaser that the product purchased (the "Product") will be free from defects in materials and workmanship for a period of 2 years from the date of purchase.

### What is Not Covered

This warranty is not transferable and does not cover (i) cosmetic damage, (ii) damage due to acts of God, accident, misuse, abuse, negligence, commercial use, or due to improper use, installation, operation or maintenance, (iii) modification of or to any part of the Product, (iv) attempted service by anyone other than a Horizon Hobby authorized service center, (v) Product not purchased from an authorized Horizon dealer, or (vi) Product not compliant with applicable technical regulations or (vii) use that violates any applicable laws, rules, or regulations.

OTHER THAN THE EXPRESS WARRANTY ABOVE, HORIZON MAKES NO OTHER WARRANTY OR REPRESENTATION, AND HEREBY DISCLAIMS ANY AND ALL IMPLIED WARRANTIES, INCLUDING, WITHOUT LIMITATION, THE IMPLIED WARRANTIES OF NON-INFRINGEMENT, MERCHANTABILITY AND FITNESS FOR A PARTICULAR PURPOSE. THE PURCHASER ACKNOWLEDGES THAT THEY ALONE HAVE DETERMINED THAT THE PRODUCT WILL SUITABLY MEET THE REQUIREMENTS OF THE PURCHASER'S INTENDED USE.

### Purchaser's Remedy

Horizon's sole obligation and purchaser's sole and exclusive remedy shall be that Horizon will, at its option, either (i) service, or (ii) replace, any Product determined by Horizon to be defective. Horizon reserves the right to inspect any and all Product(s) involved in a warranty claim. Service or replacement decisions are at the sole discretion of Horizon. Proof of purchase is required for all warranty claims. SERVICE OR REPLACEMENT AS PROVIDED UNDER THIS WARRANTY IS THE PURCHASER'S SOLE AND EXCLUSIVE REMEDY.

### Limitation of Liability

HORIZON SHALL NOT BE LIABLE FOR SPECIAL, INDIRECT, INCIDENTAL OR CONSEQUENTIAL DAMAGES, LOSS OF PROFITS OR PRODUCTION OR COMMERCIAL LOSS IN ANY WAY, REGARDLESS OF WHETHER SUCH CLAIM IS BASED IN CONTRACT, WARRANTY, TORT, NEGLIGENCE, STRICT LIABILITY OR ANY OTHER THEORY OF LIABILITY, EVEN IF HORIZON HAS BEEN ADVISED OF THE POSSIBILITY OF SUCH DAMAGES. Further, in no event shall the liability of Horizon exceed the individual price of the Product on which liability is asserted. As Horizon has no control over use, setup, final assembly, modification or misuse, no liability shall be assumed nor accepted for any resulting damage or injury. By the act of use, setup or assembly, the user accepts all resulting liability. If you as the purchaser or user are not prepared to accept the liability associated with the use of the Product, purchaser is advised to return the Product immediately in new and unused condition to the place of purchase.

### Law

These terms are governed by Illinois law (without regard to conflict of law principals). This warranty gives you specific legal rights, and you may also have other rights which vary from state to state. Horizon reserves the right to change or modify this warranty at any time without notice.

### WARRANTY SERVICES

#### Questions, Assistance, and Services

Your local hobby store and/or place of purchase cannot provide warranty support or service. Once assembly, setup or use of the Product has been started, you must contact your local distributor or Horizon directly. This will enable Horizon to better answer your questions and service you in the event that you may need any assistance. For questions or assistance, please visit our website at [www.horizonhobby.com](http://www.horizonhobby.com), submit a Product Support Inquiry, or call the toll free telephone number referenced in the Warranty and Service Contact Information section to speak with a Product Support representative.

### Inspection or Services

If this Product needs to be inspected or serviced and is compliant in the country you live and use the Product in, please use the Horizon Online Service Request submission process found on our website or call Horizon to obtain a Return Merchandise Authorization (RMA) number. Pack the Product securely using a shipping carton. Please note that original boxes may be included, but are not designed to withstand the rigors of shipping without additional protection. Ship via a carrier that provides tracking and insurance for lost or damaged parcels, as Horizon is not responsible for merchandise until it arrives and is accepted at our facility. An Online Service Request is available at [http://www.horizonhobby.com/content/service-center\\_render-service-center](http://www.horizonhobby.com/content/service-center_render-service-center). If you do not have internet access, please contact Horizon Product Support to obtain a RMA number along with instructions for submitting your product for service. When calling Horizon, you will be asked to provide your complete name, street address, email address and phone number where you can be reached during business hours. When sending product into Horizon, please include your RMA number, a list of the included items, and a brief summary of the problem. A copy of your original sales receipt must be included for warranty consideration. Be sure your name, address, and RMA number are clearly written on the outside of the shipping carton.

**NOTICE: Do not ship Li-Po batteries to Horizon. If you have any issue with a Li-Po battery, please contact the appropriate Horizon Product Support office.**

### Warranty Requirements

**For Warranty consideration, you must include your original sales receipt verifying the proof-of-purchase date.** Provided warranty conditions have been met, your Product will be serviced or replaced free of charge. Service or replacement decisions are at the sole discretion of Horizon.

### Non-Warranty Service

**Should your service not be covered by warranty, service will be completed and payment will be required without notification or estimate of the expense unless the expense exceeds 50% of the retail purchase cost.** By submitting the item for service you are agreeing to payment of the service without notification. Service estimates are available upon request. You must include this request with your item submitted for service. Non-warranty service estimates will be billed a minimum of ½ hour of labor. In addition you will be billed for return freight. Horizon accepts money orders and cashier's checks, as well as Visa, MasterCard, American Express, and Discover cards. By submitting any item to Horizon for service, you are agreeing to Horizon's Terms and Conditions found on our website [http://www.horizonhobby.com/content/service-center\\_render-service-center](http://www.horizonhobby.com/content/service-center_render-service-center).



**ATTENTION: Horizon service is limited to Product compliant in the country of use and ownership. If received, a non-compliant Product will not be serviced. Further, the sender will be responsible for arranging return shipment of the un-serviced Product, through a carrier of the sender's choice and at the sender's expense. Horizon will hold non-compliant Product for a period of 60 days from notification, after which it will be discarded.**

## WARRANTY AND SERVICE CONTACT INFORMATION

| COUNTRY OF PURCHASE      | HORIZON HOBBY   | CONTACT INFORMATION                              | ADDRESS  |
|--------------------------|---|--|--|
| United States of America | Horizon Service Center<br>(Repairs and Repair Requests)   | servicecenter.horizonhobby.com/RequestForm/      | 2904 Research Rd<br>Champaign, Illinois, 61822 USA |
|                          | Horizon Product Support<br>(Product Technical Assistance) | productsupport@horizonhobby.com<br>877-504-0233  |  |
|                          | Sales   | websales@horizonhobby.com<br>888-338-4639        |  |
| EU                       | Horizon Technischer Service<br>Sales: Horizon Hobby GmbH  | service@horizonhobby.eu<br>+49 (0) 4121 2655 100 | Hanskampring 9<br>D 22885 Barsbüttel, Germany      |

## FCC INFORMATION

FCC ID: BRWWACO1T

### Supplier's Declaration of Conformity LOS Mini JRX2: 1/16th Scale 2WD Buggy (LOS01020T1/T2/T3)

This device complies with part 15 of the FCC Rules. Operation is subject to the following two conditions: (1) This device may not cause harmful interference, and (2) this device must accept any interference received, including interference that may cause undesired operation.

**CAUTION:** Changes or modifications not expressly approved by the party responsible for compliance could void the user's authority to operate the equipment.

**NOTE:** This equipment has been tested and found to comply with the limits for a Class B digital device, pursuant to part 15 of the FCC Rules. These limits are designed to provide reasonable protection against harmful interference in a residential installation. This equipment generates, uses and can radiate radio frequency energy and, if not installed and used in accordance with the instructions, may cause harmful interference to radio communications. However, there is

no guarantee that interference will not occur in a particular installation. If this equipment does cause harmful interference to radio or television reception, which can be determined by turning the equipment off and on, the user is encouraged to try to correct the interference by one or more of the following measures:

- Reorient or relocate the receiving antenna.
- Increase the separation between the equipment and receiver.
- Connect the equipment into an outlet on a circuit different from that to which the receiver is connected.
- Consult the dealer or an experienced radio/TV technician for help.

Horizon Hobby, LLC  
2904 Research Rd.,  
Champaign, IL 61822  
Email: compliance@horizonhobby.com  
Web: HorizonHobby.com

## IC INFORMATION

CAN ICES-3 (B)/NMB-3(B)

IC: 6157A-SPMSLT200F

This device contains license-exempt transmitter(s)/receiver(s) that comply with Innovation, Science, and Economic Development Canada's license-exempt RSS(s). Operation is subject to the following 2 conditions:

1. This device may not cause interference.
2. This device must accept any interference, including interference that may cause undesired operation of the device.

## COMPLIANCE INFORMATION FOR THE EUROPEAN UNION



### EU Compliance Statement:

Hereby, Horizon Hobby, LLC declares that the device is in compliance with the following: Low Voltage Directive (LVD) 2014/35/EU, 2014/30/EU EMC Directive, Radio Equipment Directive (RED) 2014/53/EU, RoHS 2 Directive 2011/65/EU,

RoHS 3 Directive - Amending 2011/65/EU Annex II 2015/863

The full text of the EU declaration of conformity is available at the following internet address: <https://www.horizonhobby.com/content/support-render-compliance>.

### Wireless Frequency Range and Wireless Output Power:

#### Transmitter:

2410–2480MHz  
23.23 dBm

#### Receiver:

2404–2476MHz  
5.58dBm

### EU Manufacturer of Record:

Horizon Hobby, LLC  
2904 Research Road  
Champaign, IL 61822 USA

### EU Importer of Record:

Horizon Hobby, GmbH  
Hanskampring 9  
22885 Barsbüttel Germany

### WEEE NOTICE:



This appliance is labeled in accordance with European Directive 2012/19/EU concerning waste of electrical and electronic equipment (WEEE). This label indicates that this product should not be disposed of with household waste. It should be deposited at an appropriate facility to enable recovery and recycling.



E328

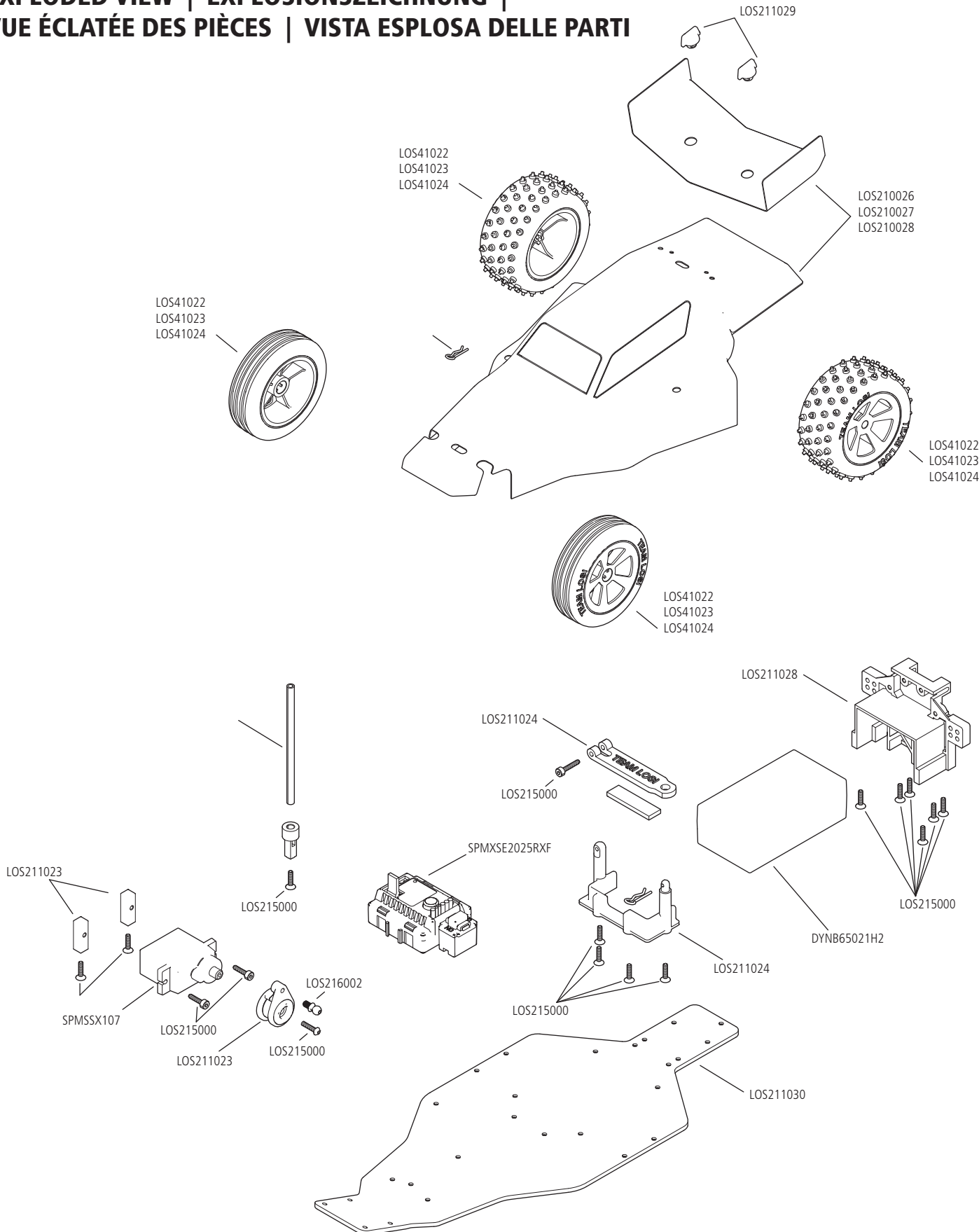
# PARTS LISTINGS | TEILELISTE | LISTE DES PIÈCES | ELENCO COMPONENTI

| PART #         | ENGLISH                          | DEUTSCH   | FRANÇAIS  | ITALIANO                                 |
|----------------|----------------------------------|---|---|--|
| DYNB65021H2    | 2 7.4V 650mAh 2S 20C LiPo, Hard  | 2 7,4 V 650 mA 2S 20C LiPo, hart                            | Boîtier LiPo 7,4 V 650 mAh 2S 20C 2                                 | 2 7,4V 650 mAh 2S 20C LiPo, Hardcase     |
| DYNC1063       | USB Charger Lipo                 | USB-LiPo-Ladegerät  | Chargeur USB Lipo   | Caricabatteria USB LiPo                  |
| LOS210026      | Body & Wing, Red: Mini JRX2      | Gehäuse & Tragfläche, rot: Mini JRX2                        | Coque et aile, rouge : Mini JRX2                                    | Carrozzeria e alettone, rosso: Mini JRX2 |
| LOS210027      | Body & Wing, Black: Mini JRX2    | Gehäuse & Tragfläche, schwarz: Mini JRX2                    | Coque et aile, noire : Mini JRX2                                    | Carrozzeria e alettone, nero: Mini JRX2  |
| LOS210028      | Body & Wing, Blue: Mini JRX2     | Gehäuse & Tragfläche, blau: Mini JRX2                       | Coque et aile, bleue : Mini JRX2                                    | Carrozzeria e alettone, blu: Mini JRX2   |
| LOS211023      | Servo Saver,Ser Mounts:Mini JRX  | Servo-Saver, Ser-Halterungen: Mini JRX                      | Économiseur de servo, supports pour servo : Mini JRX                | Salva servo, supporti servo: Mini JRX    |
| LOS211024      | Battery Box, Ant Mount:Mini JRX  | Akku-Box, Ant-Halterung: Mini JRX                           | Boîtier de batterie, support d'antenne : Mini JRX                   | Vano batteria, supporto ant: Mini JRX    |
| LOS211025      | Bellcrank Set: Mini JRX2         | Umlenkhebelsatz: Mini JRX2                                  | Ensemble de levier coudé : Mini JRX2                                | Set leve a squadra: Mini JRX2            |
| LOS211026      | Front Bulkhead: Mini JRX2        | Vordere Spritzwand: Mini JRX2                               | Cloison avant : Mini JRX2   | Paratia posteriore: Mini JRX2            |
| LOS211027      | Adj Turnbuckle Set(6): Mini JRX  | Anp. Spannschraubensatz (6): Mini JRX                       | Ensemble de ridoir ajustable (6) Mini JRX                           | Set tenditore reg (6): Mini JRX          |
| LOS211028      | Rr BulkToe Blk,Link Mnt:MiniJRX  | Hr BulkToe schwarz, Verbindungsaufh.: MiniJRX               | Pincement de cloison arrière noir, support de tringlerie : Mini JRX | Prt conv nero, supp braccetti: MiniJRX   |
| LOS211029      | Wing Mount: Mini JRX2            | Flügelhalterung: Mini JRX2                                  | Support d'aile : Mini JRX2  | Supporto alettone: Mini JRX2             |
| LOS211030      | Chassis: Mini JRX2               | Karosserie: Mini JRX2                                       | Carrosserie : Mini JRX2   | Telaio: Mini JRX2                        |
| LOS212015      | Slipper Hardware: Mini-T 2.0     | Gleiter-Hardware: Mini-T 2.0                                | Accessoires de sabot : Mini-T 2.0                                   | Parti antisaltellamento: Mini-T 2.0      |
| LOS212016      | Spur Gear Pads 60T 0.5 MiniT 2.  | Stirnradkissen 60T 0,5 MiniT 2.                             | Tampons de roue droite cylindrique, 60T 0,5 MiniT 2.                | Pattini corona 60T 0,5 Mini-T 2.         |
| LOS212020      | Top Shaft: Mini-T 2.0            | Obere Welle: Mini-T 2.0                                     | Arbre supérieur : Mini-T 2.0  | Albero superiore: Mini-T 2.0             |
| LOS212023      | Trans Case & Motor Plt:Mini JRX  | Transfergehäuse & Motorplatte: Mini JRX                     | Boîtier de transmission et plaque de moteur : Mini JRX              | Sct trasmissione e pst motore:Mini JRX   |
| LOS212024      | Slider Driveshaft,Assm:Mini JRX  | Schieberantriebswelle, montiert: Mini JRX                   | Arbre de transmission de coulisseau, ensemble : Mini JRX            | Albero trasm slider, assembl: Mini JRX   |
| LOS212025      | Pinion Gear, 17T, 0.5M 2mm Shaf  | Zahnradgetriebe, 17T, 0,5M 2 mm Welle                       | Engrenage à pignons, arbre de 17T, 0,5 M, 2 mm                      | Pignone, 17T, 0,5 m, albero 2 mm         |
| LOS212026      | Diff & Trans Gear Set: Mini JRX  | Differenzial & Transfergetriebe-Set: Mini JRX               | Ensemble d'engrenage de différentiel et de transmission Mini JRX    | Set ingr trasm & diff: Mini JRX          |
| LOS212027      | Gear Cover: Mini JRX2            | Fahrwerkabdeckung: Mini JRX2                                | Cache d'engrenage : Mini JRX2                                       | Carter ingr: Mini JRX2                   |
| LOS213003      | Front Shock Set, Assm: Mini JRX  | Vorderer Stoßdämpfersatz, montiert: Mini JRX                | Ensemble d'amortisseurs avant, ensemble : Mini JRX                  | Set amm ant, assmb: Mini JRX             |
| LOS213004      | Rear Shock Set, Assm: Mini JRX2  | Hinterer Stoßdämpfersatz, montiert: Mini JRX2               | Ensemble d'amortisseurs arrière, ensemble : Mini JRX2               | Set amm post, assmb: Mini JRX2           |
| LOS213005      | Shock Cartridge (2): Mini JRX2   | Stoßdämpfer (2): Mini JRX2                                  | Cartouche d'amortisseur (2) : Mini JRX2                             | Cartuccia amm (2): Mini JRX2             |
| LOS214019      | Front Arm Set: Mini JRX2         | Vorderarmsatz: Mini JRX2                                    | Ensemble de bras avant : Mini JRX2                                  | Set bracci ant: Mini JRX2                |
| LOS214020      | Rear Susp Link Set: Mini JRX2    | Hintere Aufhängung Verbindungssatz: Mini JRX2               | Ensemble de tringlerie de suspension arrière : Mini JRX2            | Set braccetti sosp post: Mini JRX2       |
| LOS214021      | Spindl Castr Block Axl:Mini JRX  | Spindel Radblock Achse: Mini JRX                            | Essieu de bloc de chasse d'axe : Mini JRX                           | Fuselli castor block assmb: Mini JRX     |
| LOS214022      | Rear Hubs: Mini JRX2             | Hintere Nabe: Mini JRX2                                     | Moyeux arrière : Mini JRX2  | Mozzi post: Mini JRX2                    |
| LOS214023      | Pivot Balls & Shock Mnt:Mini JRX | Schwenkkugeln & Stoßdämpferhalterung: Mini JRX              | Rotules et support d'amortisseur : Mini JRX                         | Pvt ball & supp amm: Mini JRX            |
| LOS214024      | FR/RR Shock Tower: Mini JRX2     | Vordere/hintere Stoßdämpferbrücke: Mini JRX2                | Tour d'amortisseur avant/arrière : Mini JRX2                        | Torre amm ant/post: Mini JRX2            |
| LOS214025      | Hinge Pin Set: Mini JRX2         | Scharnierbolzen Satz: Mini JRX2                             | Ensemble de goupilles de charnière : Mini JRX2                      | Set perno articolazione: Mini JRX2       |
| LOS215000      | Screw Set: Mini JRX2             | Schraubensatz: Mini JRX2                                    | Jeu de vis : Mini JRX2  | Set viti: Mini JRX2                      |
| LOS216002      | Ball Stud (4): Mini-T 2.0        | Kugelzapfen (4): Mini-T 2.0                                 | Pivot à rotule (4) : Mini-T 2.0                                     | Prigioniero a sfera (4): Mini-T 2.0      |
| LOS216006      | E-Clip, 1.5mm (20)               | E-Clip, 1,5mm (20)  | E-Clip, 1,5mm (20)  | E-Clip 1,5 mm (20)                       |
| LOS217001      | 4x7x2.5mm Ball Bearing (4)       | 4 x 7 x 2,5 mm Kugellager (4)                               | Roulement à billes 4 x 7 x 2,5 mm (4)                               | Cuscinetti a sfera 4x7x2,5 mm (4)        |
| LOS41019       | Rib Fr Tire Mtd Org(2):Mini JRX  | Geriffelter Vorderreifen montiert orange (2): Mini JRX      | Pneu avant rainuré monté orange (2) : Mini JRX                      | Ruote ant rigate mnt arnc (2): Mini JRX  |
| LOS41020       | Rib Fr Tire Mtd Red(2):Mini JRX  | Geriffelter Vorderreifen montiert rot (2):Mini JRX          | Pneu avant rainuré monté rouge (2) : Mini JRX                       | Ruote ant rigate mnt rsoo (2): Mini JRX  |
| LOS41021       | Rib Fr Tire Mtd Wht(2):Mini JRX  | Geriffelter Vorderreifen montiert weiß (2): Mini JRX        | Pneu avant rainuré monté blanc (2) : Mini JRX                       | Ruote ant rigate mnt bian (2): Mini JRX  |
| LOS41022       | 4Row Rr Tire Mtd,Org(2)Mini JRX  | 4-reihiger Hinterreifen montiert, orange (2): Mini JRX      | Pneu arrière avec 4 rangées de crampons monté, orange (2) Mini JRX  | Ruote post 4slc mnt arnc (2): Mini JRX   |
| LOS41023       | 4Row Rr Tire Mtd,Red(2)Mini JRX  | 4-reihiger Hinterreifen montiert, rot (2): Mini JRX         | Pneu arrière avec 4 rangées de crampons monté, rouge (2) Mini JRX   | Ruote post 4slc mnt rsoo (2): Mini JRX   |
| LOS41024       | 4Row Rr Tire Mtd,Wht(2)Mini JRX  | 4-reihiger Hinterreifen, weiß (2): Mini JRX                 | Pneu arrière avec 4 rangées de crampons monté, blanc (2) Mini JRX   | Ruote post 4slc mnt bian (2): Mini JRX   |
| LOSB3008       | 3x6x2.5mm Ball Bearing (2)       | 3 x 6 x 2,5 mm Kugellager (2)                               | Roulement à billes 3 x 6 x 2,5 mm (2)                               | Cuscinetti a sfera 3x6x2,5 mm (2)        |
| SPMRSLT200F    | SLT2 - 2ch Tx (FS & OEM)         | SLT2 – 2 Kanäle TX (FS & OEM)                               | SLT2 - 2 canaux Tx (FS & fabricant d'origine)                       | SLT2 - Tx 2 CH (FS & OEM)                |
| SPMSSX107      | SX107 Micro Metal Gear Servo     | SX107 Mikro-Metallgetriebeservo                             | Micro servo à engrenage métallique SX107                            | Servo micro ingranaggi metallo SX107     |
| SPMX-SE2025RXF | SLT 25a Brushed 2n1 esc/rx (FS)  | SLT 25a Gebürstet 2n1 Geschwindigkeitsregler/Empfänger (FS) | À balais, 25a SLT 2n1 esc/rx (FS)                                   | ESC/TX 2-in-1 SLT 25a a spazzole (FS)    |
| SPMXSMS100     | Firma JR's 42T 280 Brushed Motor | Firma JR's 42T 280 Bürstenmotor                             | Moteur à balais Firma JR 42T 280                                    | Motore a spazzole Firma JR 42T 280       |

# OPTIONAL PARTS | OPTIONALE BAUTEILE | PIÈCES OPTIONNELLES | PEZZI OPZIONALI

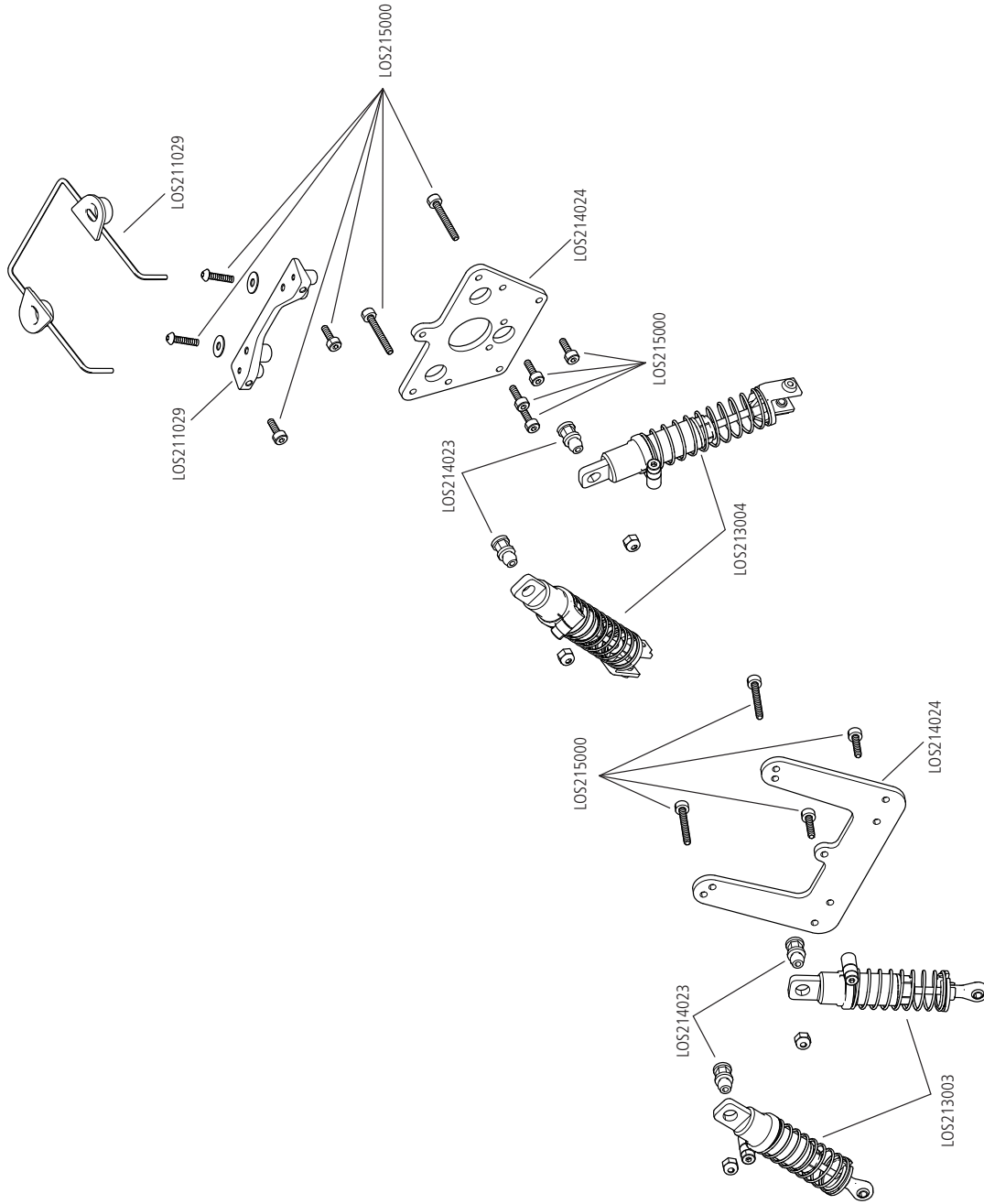
| PART #    | ENGLISH                         | DEUTSCH                                      | FRANÇAIS  | ITALIANO                                       |
|-----------|---------------------------------|--|---|--|
| LOS212022 | Pinion Gear, 18T, 0.5M 2mm Shaf | Zahnradgetriebe, 18T, 0,5M 2 mm Welle        | Engrenage à pignons, arbre de 18T, 0,5 M, 2 mm        | Pignone, 18T, 0,5 m, albero 2 mm               |
| LOS310002 | Body & Wing, Clear: Mini JRX2   | Gehäuse & Tragfläche, farblos: Mini JRX2     | Coque et aile, transparente : Mini JRX2               | Carrozzeria e alettone, trasparenti: Mini JRX2 |
| LOS311010 | Servo Arm, Aluminum: Mini-T 2.0 | Servoarm, Aluminium: Mini-T 2.0              | Bras de servo, aluminium : Mini-T 2.0                 | Squadretta servo, alluminio: Mini-T 2.0        |
| LOS312007 | SlipperPlate,HD:MiniT2.0,MiniB  | Gleiterplatte, HD: MiniT2.0, MiniB           | Plaque de sabot, HD : Mini T2.0, MiniB                | Piastra scorrimento,HD: MiniT2.0,MiniB         |
| DYNC2030  | Prophet Sport Mini 50W Charger  | Prophet Sport Mini 50 W Ladegerät            | Chargeur 50W Prophet Sport Mini                       | Caricabatterie Prophet Sport Mini 50 W         |
| DYNB825H2 | 7.4V800mAh2S50CHrdsLiPoBatt:EC  | 7,4 V 800 mAh 2S50C Hartschale LiPo-Akku: EG | Batterie LiPo Boîtier 7,4 V 800 mAh 2S 50 canaux : EC | 7,4V800mAh2S50CHrdsLiPoBatt:EC                 |

## EXPLODED VIEW | EXPLOSIONSZEICHNUNG | VUE ÉCLATÉE DES PIÈCES | VISTA ESPLOSA DELLE PARTI











[WWW.LOSI.COM](http://WWW.LOSI.COM)

189257

Created 11/2021 | LOS01020T1/T2/T3

©2021 Horizon Hobby, LLC.

Losi, Mini-B, Dynamite, EC2, and the Horizon Hobby logo are trademarks or registered trademarks of Horizon Hobby, LLC.

The Spektrum trademark is used with permission of Bachmann Industries, Inc. All other trademarks, service marks and logos are property of their respective owners.