

# RC10 TEAM KIT

1:10 Scale 2WD Electric Off Road Competition Truck Kit



SCALE 1:10 VEHICLE

- 2 WHEEL DRIVE KIT
- ELEC. POWERED
- OFF ROAD
- NOT INCLUDED
- NOT INCLUDED

#70004 RC10T6.4 Team Kit

1:10 Scale 2WD Electric Off Road Competition Truck Manual



CHAMPIONS by DESIGN

AssociatedElectrics.com

# TEAM ASSOCIATED

## :: Introduction

Thank you for purchasing this Team Associated product. This assembly manual contains instructions and tips for building and maintaining your new vehicle. Please take a moment to read through the manual and familiarize yourself with the steps. We are continually changing and improving our designs; therefore, actual parts may appear slightly different than the illustrations. New parts will be noted on supplementary sheets located in the appropriate parts bags. Check each bag for these sheets before you start to build.

## :: RC10T6.4 KIT Features

- New 13mm big bore threaded aluminum shocks and springs with machined shock pistons for improved bump / jump handling
- 13mm machined shock pistons, 2x1.6mm front and 2x1.8mm rear
- New front ballstud mount and top plate with angled steering system for improved steering consistency
- New 3.5mm heavy-duty ball cups and turnbuckles for maximum durability
- Updated rear suspension with wider C and D mounts from the RC10B6.4 series
- New longer 92.5mm CVA driveshafts for more rear grip
- 7.0mm blue aluminum rear clamping hexes with laser etching
- New chassis side rails with the RC10B6.4 fan mount system
- New truck length aluminum chassis with 22.5° kick-up to complement updated front-end geometry and with new shape to reduce chassis scrub with the track surface
- 20°, 22.5°, and 25° molded bulkheads included for a complete range of caster and kickup options
- B6.4 adjustable height steering bellcrank and rack system for optimized bumpsteer at all ride heights and caster angles
- B6.4 -1mm kingpin offset steering and caster block set for smoother and more predictable steering through the entire wheel throw
- Aluminum RC10B6.4 ESC mounting tray shifted forward in the chassis and with a wider footprint to fit electronics, resulting in a weight bias placed further forward
- Factory Team RC10B6.4 11g aluminum ESC tray

## :: Additional

Your new T6.4 Team Kit comes unassembled and requires the following items for completion (Refer to [www.rc10.com](http://www.rc10.com) and [www.Reedypower.com](http://www.Reedypower.com) for complete listings):

- RC two channel surface frequency radio system
- AA-size batteries for transmitter (#302 alkaline)
- Electronic Speed Control, ESC
- Steering servo
- 540 size electric motor
- Pinion gear (48P), size determined by type/wind of motor
- Battery charger (a peak detection charger, or LiPo compatible charger)
- 2 cell LiPo battery pack
- Polycarbonate 1/10 Stadium truck body
- Polycarbonate specific spray paint
- Cyanoacrylate glue (CA)(#1597)
- Thread locking compound (#1596)
- Tires and Inserts, Fronts and Rears
- Wheels w/12mm Hex  
White Wheels #7852  
Yellow Wheels #7853

## :: Other Helpful Items

- Silicone Shock Fluid (Refer to [www.rc10.com](http://www.rc10.com) for complete listings):
- Body Scissors (AE Part #1737)
- FT Hex/Nut Wrenches (AE Part #1519, 1650)
- Green Slime shock lube (AE Part #1105)
- Soldering Iron
- Needle Nose Pliers
- FT Body Reamer
- FT Ballcup Wrench (#1579)
- FT Dual Turnbuckle Wrench (#1114)
- Hobby Knife
- Shock Pliers (#1681)
- FT Universal Tire Balancer (#1498)
- Calipers or a Precision Ruler
- Wire Cutters


















**Associated Electrics, Inc.**  
21062 Bake Parkway  
Lake Forest, CA 92630



**Customer Service**  
Tel: 949.544.7500  
Fax: 949.544.7501

**:: Hardware - 1:1 Scale View**









**Button Head (bhcs)**

-  **2x4mm (31510)**
-  **2.5x6mm (31520)**
-  **2.5x8mm (31521)**
-  **2.5x10mm (31522)**
-  **3x4mm (91158)**
-  **3x5mm (31530)**
-  **3x6mm (31531)**
-  **3x8mm (31532)**
-  **3x10mm (25211)**
-  **3x12mm (89202)**
-  **3x14mm (25187)**
-  **3x16mm (89203)**
-  **3x18mm (2308)**
-  **3x20mm (25188)**
-  **3x22mm (25189)**
-  **3x24mm (89204)**
-  **3x30mm (91478)**





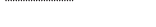
**Shims and Washers**

-  **5.5x0.5mm (31381)**
-  **5.5x1.0mm (31382)**
-  **5.5x2.0mm (31383)**
-  **2.6x6mm Washer (89278)**
-  **3x8mm Washer (89218)**






**Flat Head (fhcs)**

-  **2x3mm (91749)**
-  **2.5x8mm (31448)**
-  **3x8mm (25201)**
-  **3x10mm (25202)**
-  **3x12mm (25203)**
-  **3x14mm (89208)**
-  **3x16mm (25204)**
-  **3x18mm (89209)**





**Set Screws**

-  **3x2.5mm (31500)**
-  **3x3mm (25225)**
-  **3x5mm (89219)**
-  **3x10mm (4671)**
-  **3x20mm (91737)**






**Socket Head (shcs)**

-  **1.6 x 5mm (91611)**
-  **3 x 18mm (25191)**
-  **3 x 6mm (41089)**
-  **3 x 20mm (41091)**
-  **3 x 22mm (41095)**




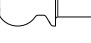




**Diff Balls**

-  **3/32 Carbide Diff Balls (6581) (kit)**
-  **3/32 Ceramic Diff Balls (6584) (FT Option)**
-  **Thrust Washer (91990)**
-  **Caged Thrust Washer (91990)**


**Ball Bearings**

-  **4x7x2.5mm (31732)**
-  **5x8x2.5mm (8680)**
-  **5x10x4mm (91560)**
-  **5x12x4mm (91567)**
-  **10x15x4mm (91563)**

**Ballstuds**

-  **Silver 5mm long (31283)**
-  **Silver 8mm long (31284)**
-  **HD 6mm (91047)**
-  **Ti HD 6mm (91751)**
-  **HD 8mm (91048)**
-  **Ti HD 8mm (91752)**
-  **HD 10mm (91049)**
-  **Ti HD 10mm (91753)**

**Nuts (lock/plain)**

-  **M3 Plain Nut (91477)**
-  **M3 Alum. Locknut, Blue (31550)**
-  **M3 Locknut, Black (25215)**
-  **M3 Locknut w/Flange (25612)**
-  **FT 3mm Locknuts, Blue(25392)**
-  **M4 Nuts: Serrated Steel (Silver)(91826)**
-  **FT Alum. Locknut (Blue) (25391)**
-  **Serrated Steel (Black) (91738)**
-  **Serrated Steel LP (Black) (91150)**

**Notes:**

**:: Table of Contents**

1..... Cover	14.....Bag 7: Rear Hubs
2..... Introduction	14 - 15.....Bag 8: Turnbuckles
3.....1:1 Hardware "Fold Out"	16 - 18.....Bag 9: Shocks
4..... Table of Contents	19 - 22.....Bag 10: Battery Strap, Body, and Wheels
5.....Bag 1: Steering	23.....Notes
5 - 8.....Bag 2: Front Suspension	24 - 25..... Tuning Tips
8 - 9.....Bag 3: Caster Blocks	26..... Back Cover
9 - 10.....Bag 4: Rear Suspension	
10 - 11.....Bag 5: Ball Diff	
11 - 13.....Bag 6: Gearbox	

**:: Notes**

***This symbol indicates a special note or instruction in the manual.***



***This symbol indicates a Racers Tip.***



***There is a 1:1 hardware foldout page in the front of the manual. To check the size of a part, line up your hardware with the correct drawing until you find the exact size. Each part in the foldout has a number assigned to it for ordering replacement parts.***

**Associated Electrics, Inc.  
21062 Bake Parkway  
Lake Forest, CA 92630**



**Customer Service  
Tel: 949.544.7500  
Fax: 949.544.7501**

**:: Bag 1 - Step 1**

**!**  
Note orientation of steering rack.

**Front**  
TOP

**31732**  $\Sigma 4$   
**4 x 7 x 2.5**  
**Ball Bearing**

**91973**  
**Steering**  
**Bellcrank**  
**(Right)**

**31283**  
**5mm Ball**  
**Stud, Long**

**91973**  
**Steering**  
**Bellcrank**  
**(Left)**

**91973**  
**Steering**  
**Rack**

**91048**  $\Sigma 2$   
**Heavy-duty**  
**Ballstud,**  
**8mm**

**31382**  $\Sigma 2$   
**FT Ballstud**  
**Washer,**  
**Aluminum**  
**(1mm)**

**89202**  $\Sigma 2$   
**M3 x 12mm**  
**BHCS**

**91974**  $\Sigma 2$   
**Steering Hat**  
**Bushing**

**:: Bag 1 - Step 2**

**25191**  $\Sigma 2$   
**M3 x 18mm**  
**SHCS**

**91974**  $\Sigma 2$   
**Steering Hat**  
**Bushing,**  
**Low**

**31732**  $\Sigma 4$   
**4 x 7 x 2.5**  
**Ball Bearing**

**91049**  $\Sigma 2$   
**Heavy-duty**  
**Ballstud,**  
**10mm**

**31382**  $\Sigma 2$   
**FT Ballstud**  
**Washer,**  
**Aluminum**  
**(1mm)**

**71182**  
**Front Ball**  
**Stud Mount**

T6.4 Kickup/Steering Option Chart				
Steering	Bulkhead	Caster Insert	Chassis	Total Insert
High	2.5°	0°	22.5°	25°
Low	2.5°	2.5°	22.5°	27.5°
Low	2.5°	5°	22.5°	30°
High	0°	0°	22.5°	22.5°
High	0°	2.5°	22.5°	25°
Low	0°	5°	22.5°	27.5°
High	-2.5°	0°	22.5°	20°
High	-2.5°	2.5°	22.5°	22.5°
High	-2.5°	5°	22.5°	25°

**!** (Low position)  
Bellcranks down,  
hat side on top

**!** (High position)  
Bellcranks up,  
hat side on bottom

**:: Bag 2 - Step 1**

**71169**  
**T6.4**  
**Chassis**

**91979**  
**Bulkhead**  
**(use +2.5°)**

**89208**  $\Sigma 2$   
**M3 x 14mm**  
**FHCS**

**!**  
Note:  
Check the screw length as both 14mm and 16mm are in the screw bag. Use the shorter of the two screws!

**!**  
There are two bulkheads included in the kit (0°, 2.5°). 0° is the standard used. The arrows on the 2.5° bulkhead should point forward for the desired setting.

**ZERO**  
**0**

**+2.5°**  
**2.5°**

**:: Bag 2 - Step 2**

**91976**  
B6.4 FT Alum.  
Chassis Weight,  
11g

**91988**  
Battery  
Foam, B6.4

**71170**  
T6.4 Side  
Rails  
(L & R)

**91988**  
Battery  
Foam, B6.4

**#1596**  
thread lock

**91749 x4**  
M2 x 3mm  
FHCS

**25202 x4**  
M3 x 10mm  
FHCS

**25201 x5**  
M3 x 8mm  
FHCS

**:: Bag 2 - Step 3**

**31500**  
M3 x 2.5mm  
Set Screw

**71128**  
Anti-Roll Bar,  
(1.3mm)

**91821**  
Anti-Roll  
Bar Collar

**!**  
Do not overtighten  
#31500 - M3 x 2.5mm set screw.  
You could bend the bar!

**:: Bag 2 - Step 4**

**91997 x2**  
Steering  
Link, B6.4

**31382**  
FT Ballstud  
Washer, Aluminum  
(1mm)

**4671**  
M3x10mm  
Set Screw

**31284**  
8mm Ball  
Stud, Long

**31531**  
M3 x 6mm  
BHCS

**91728**  
Servo  
Horn

**91728**  
Servo Horn  
Ring

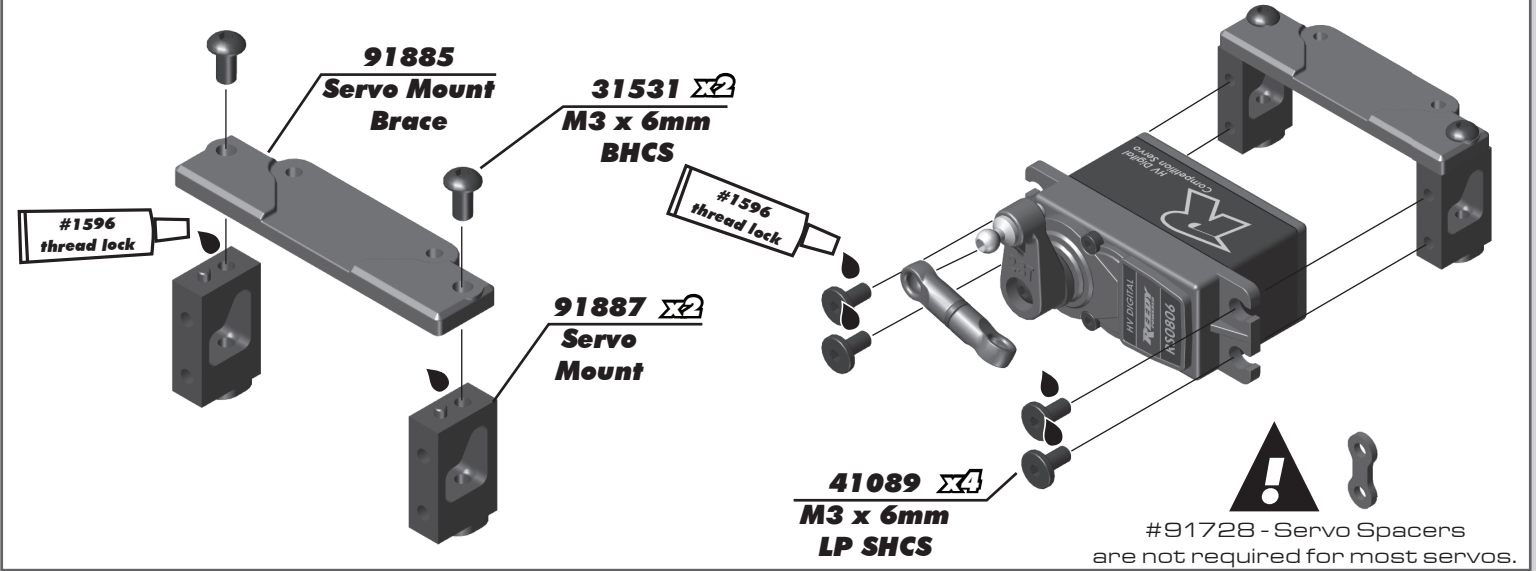
Align the servo horn 90 degrees.  
Use sub trim after build to  
center steering.

**Servo not included!**

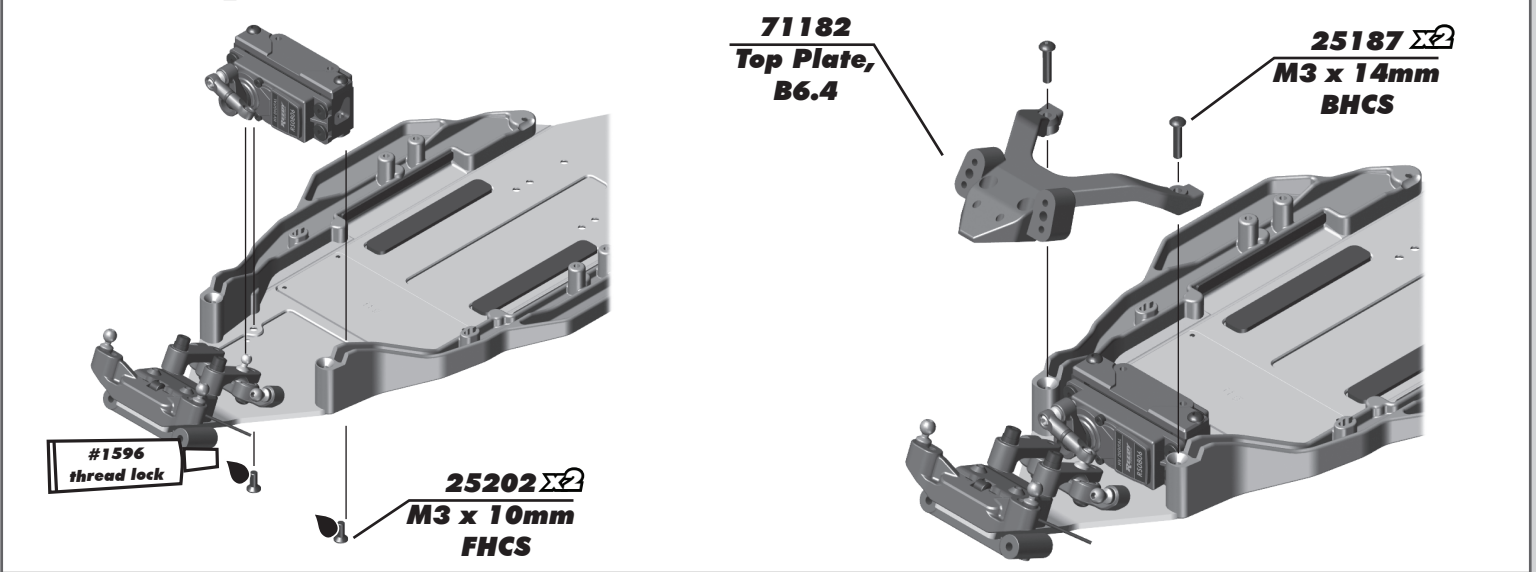
**!**  
Tighten the  
steering link ball  
cups all the way  
until snug.

23T: Sanwa/ KO/ JR / Spektrum  
24T: Hitec  
25T: Reedy/ Futaba/ Savox/ ProTek / MKS

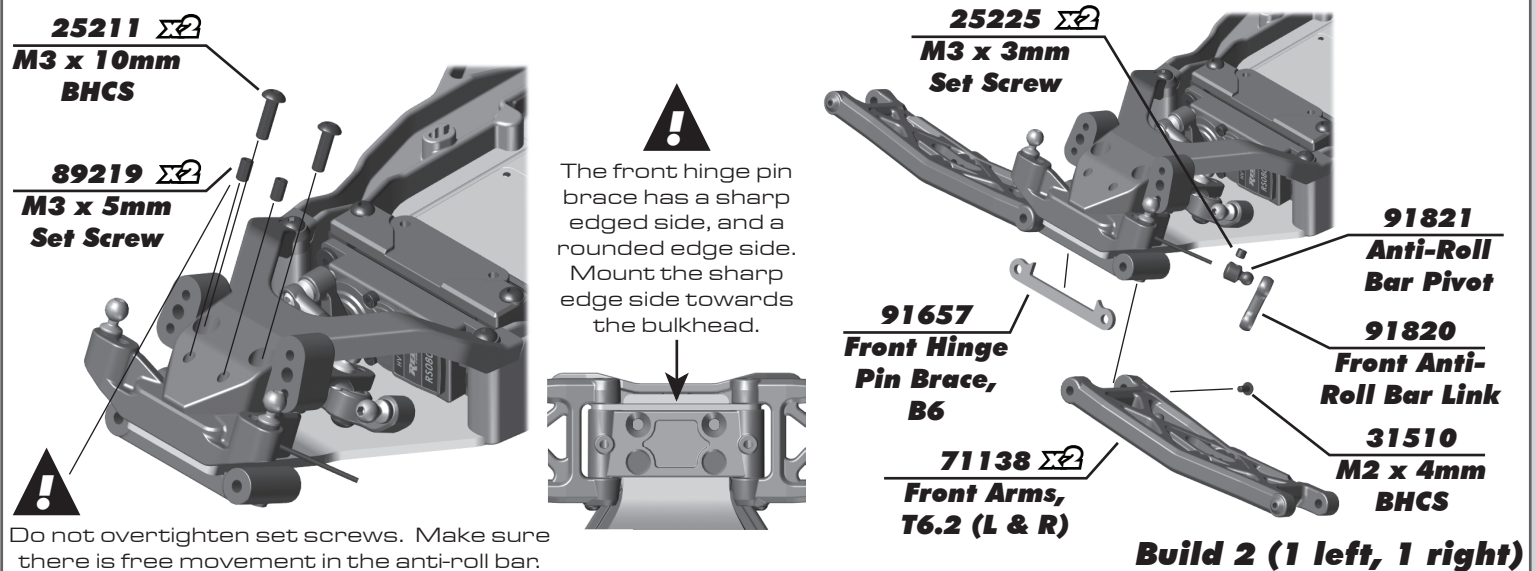
**:: Bag 2 - Step 5**



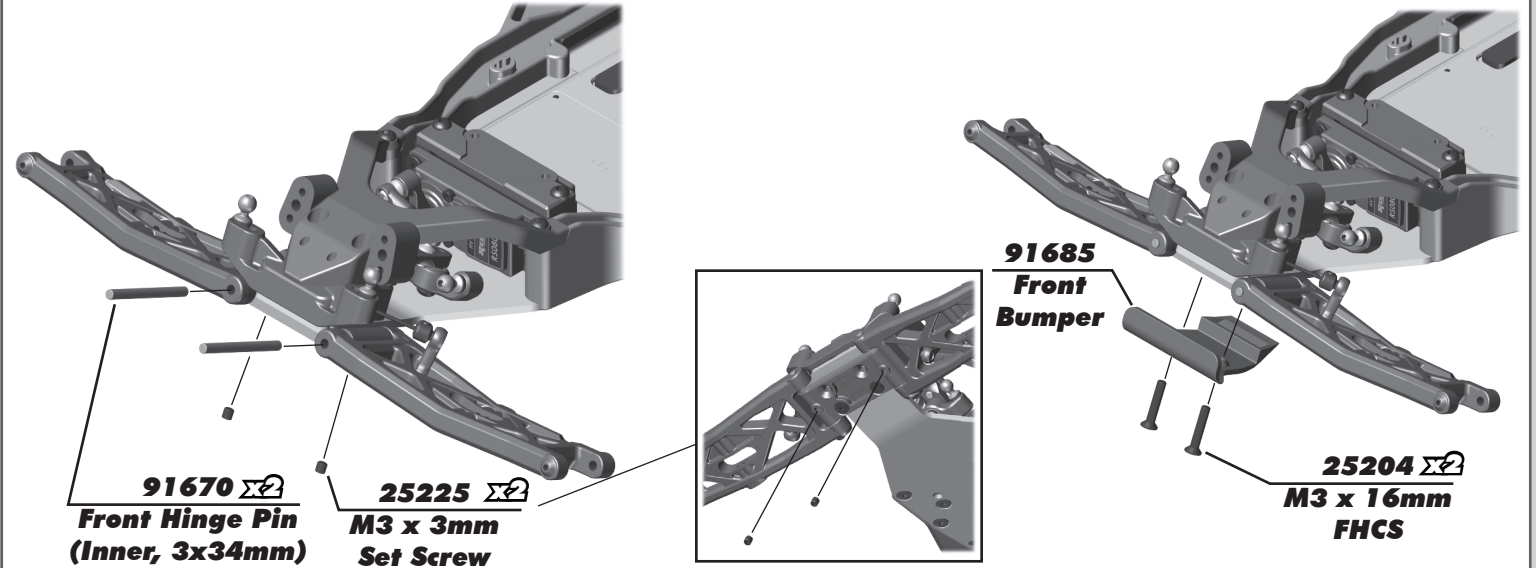
**:: Bag 2 - Step 6**



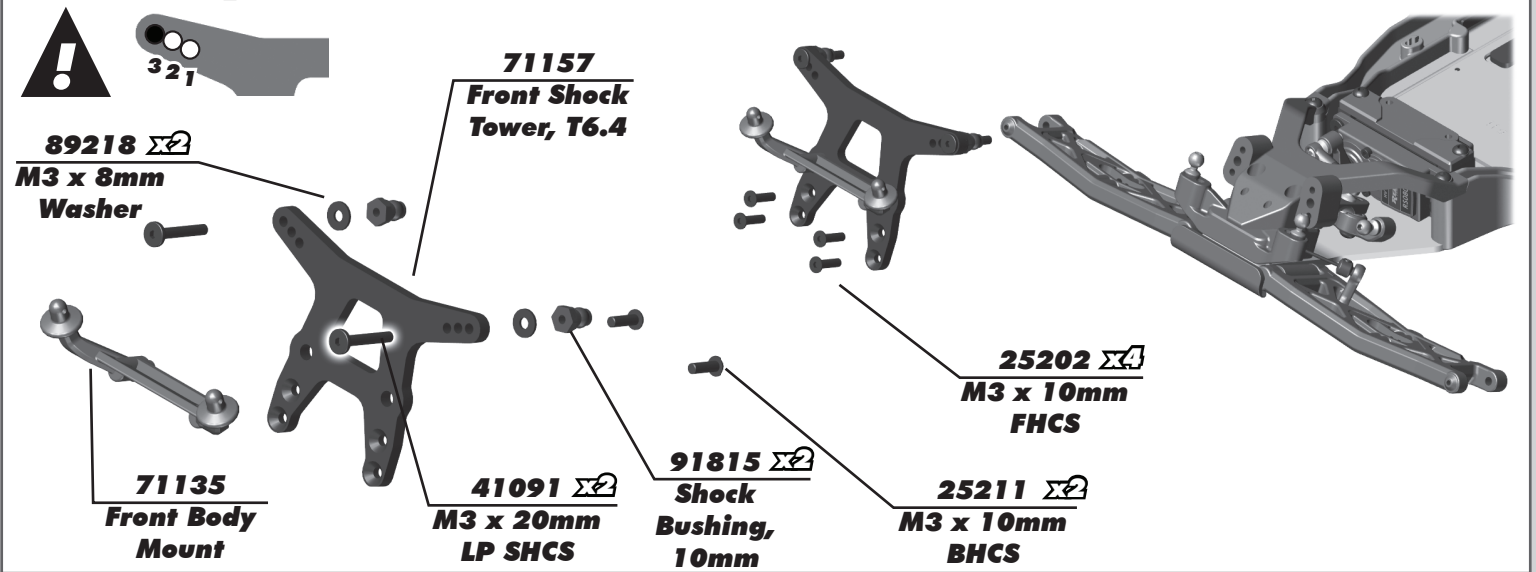
**:: Bag 2 - Step 7**



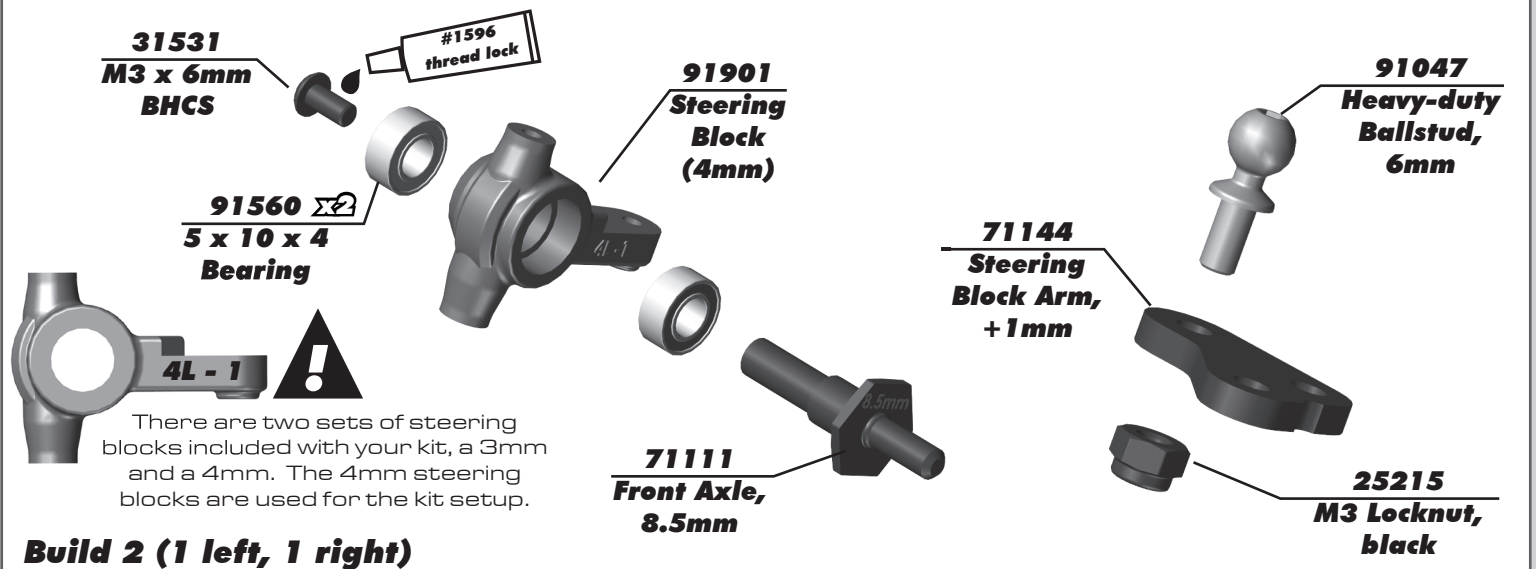
**:: Bag 2 - Step 8**



**:: Bag 2 - Step 9**



**:: Bag 3 - Step 1**





**:: Bag 3 - Step 2**



Use shorter screw in front!

**31531**  
M3 x 6mm  
BHCS

**31532**  
M3 x 8mm  
BHCS

**91049**  
Heavy-duty  
Ballstud,  
10mm



You can install the kit included #31520 screw to use as a steering stop setting.

You can install an optional #4670 set screw to better hold the caster block inserts and hinge pin.

**91901**  
Caster  
Block

**25215**  
M3 Locknut,  
black

**31520**  
M2.5 x 6mm  
BHCS



There are three caster block inserts included [0°, +/- 2.5°, +/- 5°]. +2.5° is the standard insert used.

Tab up = positive caster  
Tab down = negative caster

**Build 2 (1 left, 1 right)**

**:: Bag 3 - Step 3**

**25187**  
M3 x 14mm  
BHCS

**91676**  $\Sigma 2$   
Caster Hat  
Bushing  
Top: 2mm  
Bottom: 1mm

**91776**  
Caster Block  
Spacer

**91670**  
Front Hinge Pin  
(Outer, 3x26mm)

**31510**  
M2 x 4mm  
BHCS

**89202**  
M3 x 12mm  
BHCS



#91670 - Hinge Pin will be tight in the caster blocks, but should rotate freely in the front arms.

**Build 2 (1 left, 1 right)**

**Build 2 (1 left, 1 right)**

**:: Bag 4 - Step 1**

Arm Mount C: 1° Out

**91882**  
Aluminum  
Arm Mount, C

**92014**  $\Sigma 2$   
Arm Mount  
Inserts  
(1°)

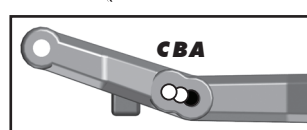
See next step for pill chart tips

#1596  
thread lock

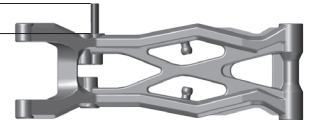
**31541**  $\Sigma 2$   
M3 x 6mm  
FHCS



You can use a dot of CA glue to better secure the lower shock mounting set screw



11mm

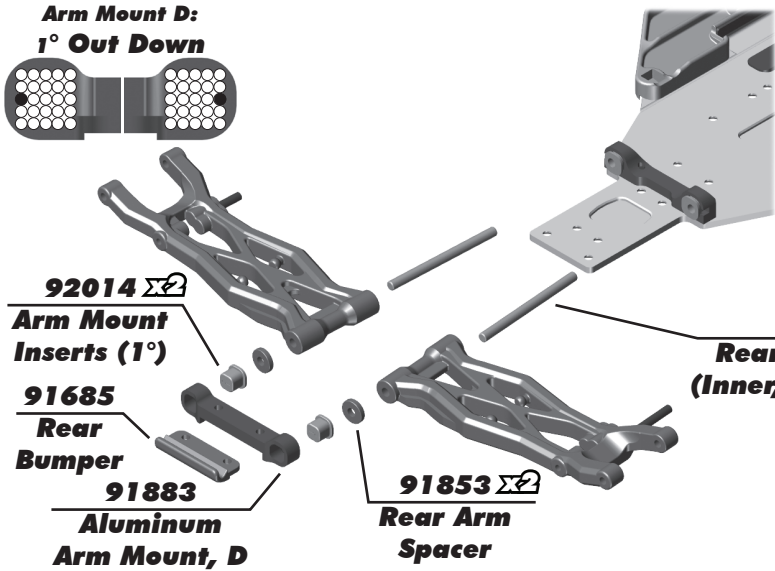


**91737**  
M3 x 20mm  
Set Screw

**71140**  
T6.2 Rear Arms  
(L & R)  
\* left side shown

**Build 2 (1 left, 1 right)**

**:: Bag 4 - Step 2**



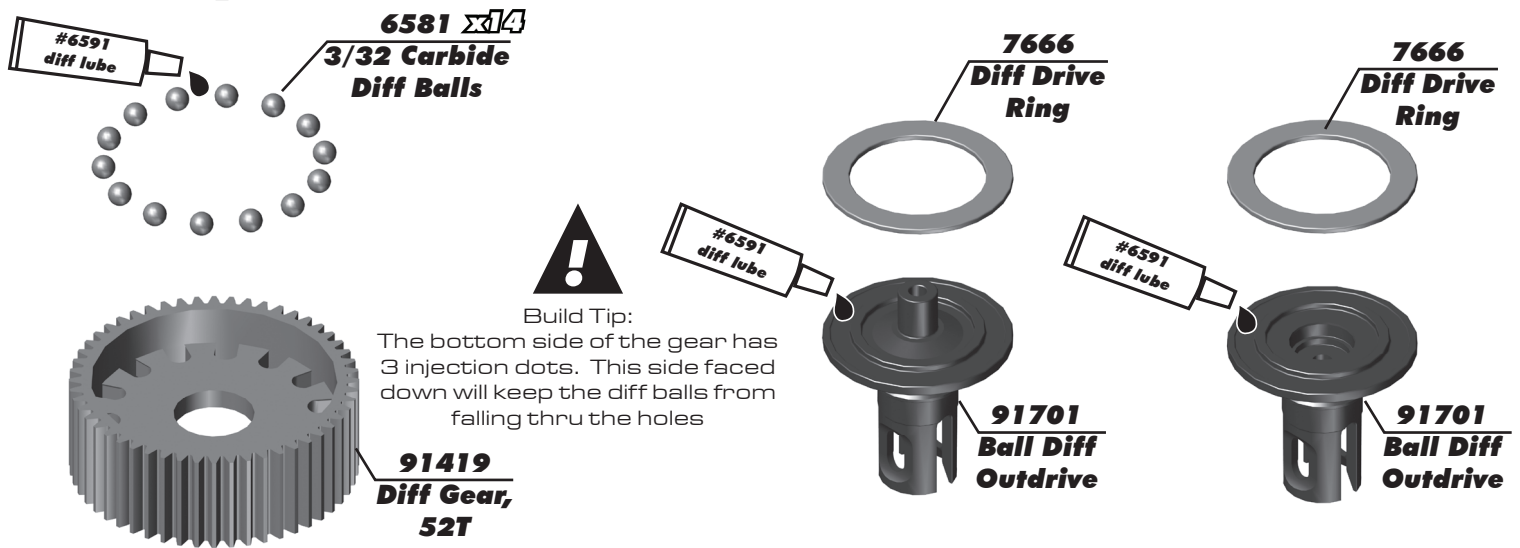
The (#91882) C and (#91883) D aluminum arm mounts allow for a large amount of setup combinations when using the (#92014) 0.5° and 1° arm mount inserts.

For a complete list of pill setup combinations, see page 24, or visit our website by using the link below.

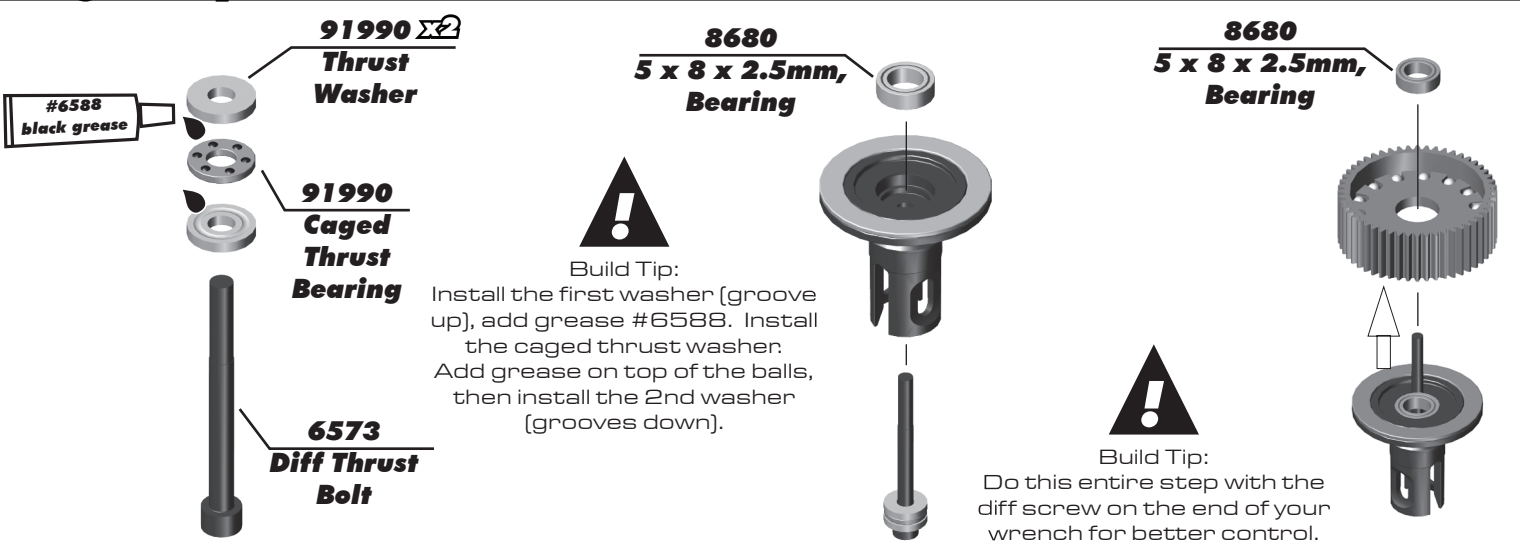
<http://bit.ly/B6PillChart>

	<b>Toe-In</b>	<b>Anti-Squat</b>
<b>Arm Mount C: 1° Out</b>	<b>3° Kit Setup</b>	<b>1° Kit Setup</b>
<b>Arm Mount D: 1° Out</b>		

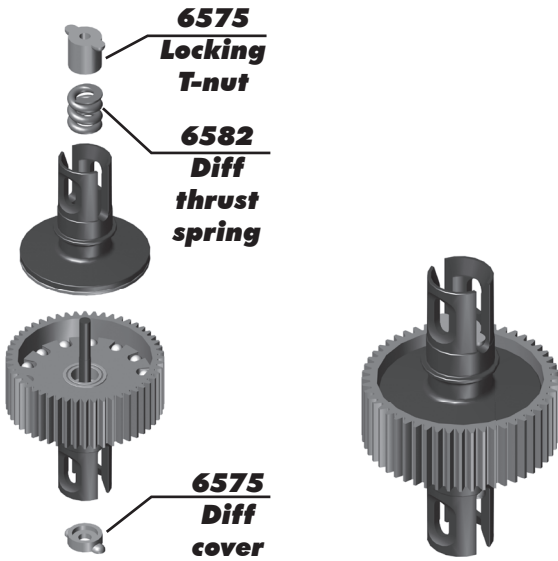
**:: Bag 5 - Step 1**



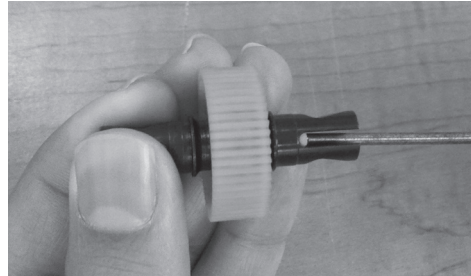
**:: Bag 5 - Step 2**



**:: Bag 5 - Step 3**

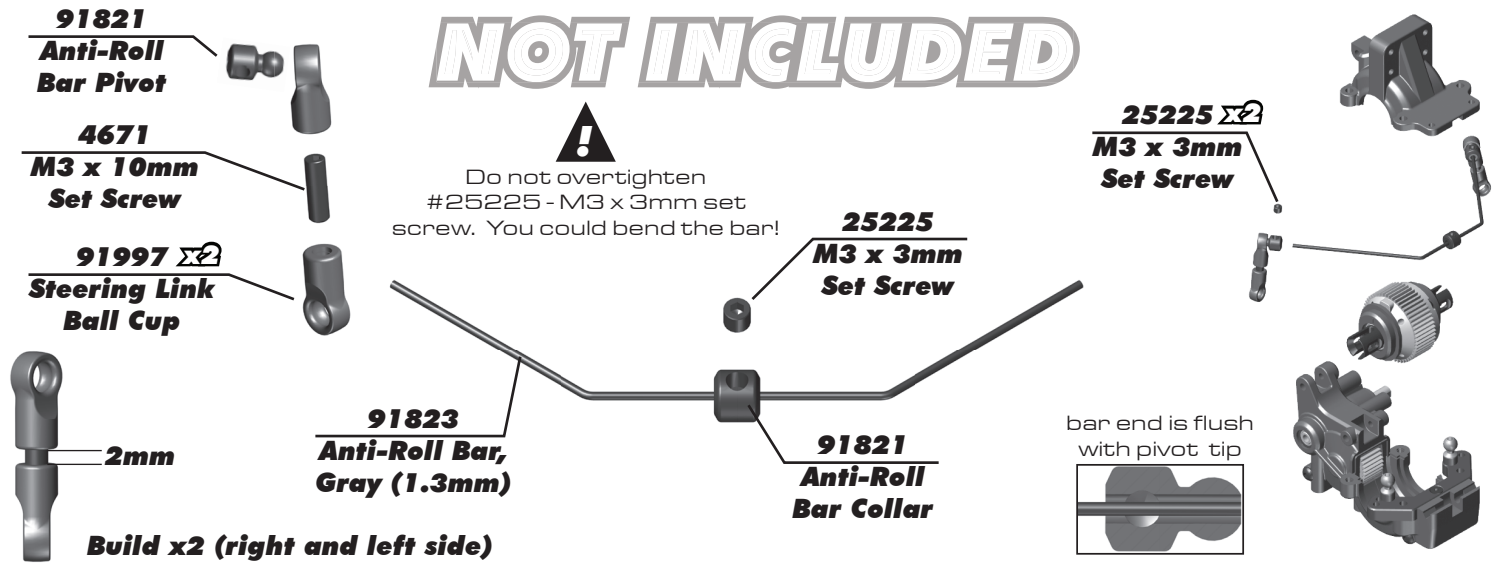


As you tighten the diff bolt, you will notice the T-nut ears moving closer to the bottom of the outdrive slot. This compresses the spring behind the T-nut. The spring should be completely compressed at the time the T-nut reaches the end of the slot. Caution! Pay close attention to the feeling when the spring is completely compressed. Do not overtighten the bolt. When you feel the spring completely compressed, loosen the diff bolt 1/8 of a turn. Your diff should now operate smoothly but with resistance as the outrives move in opposite directions. After you have driven the car once, re-check the diff setting.

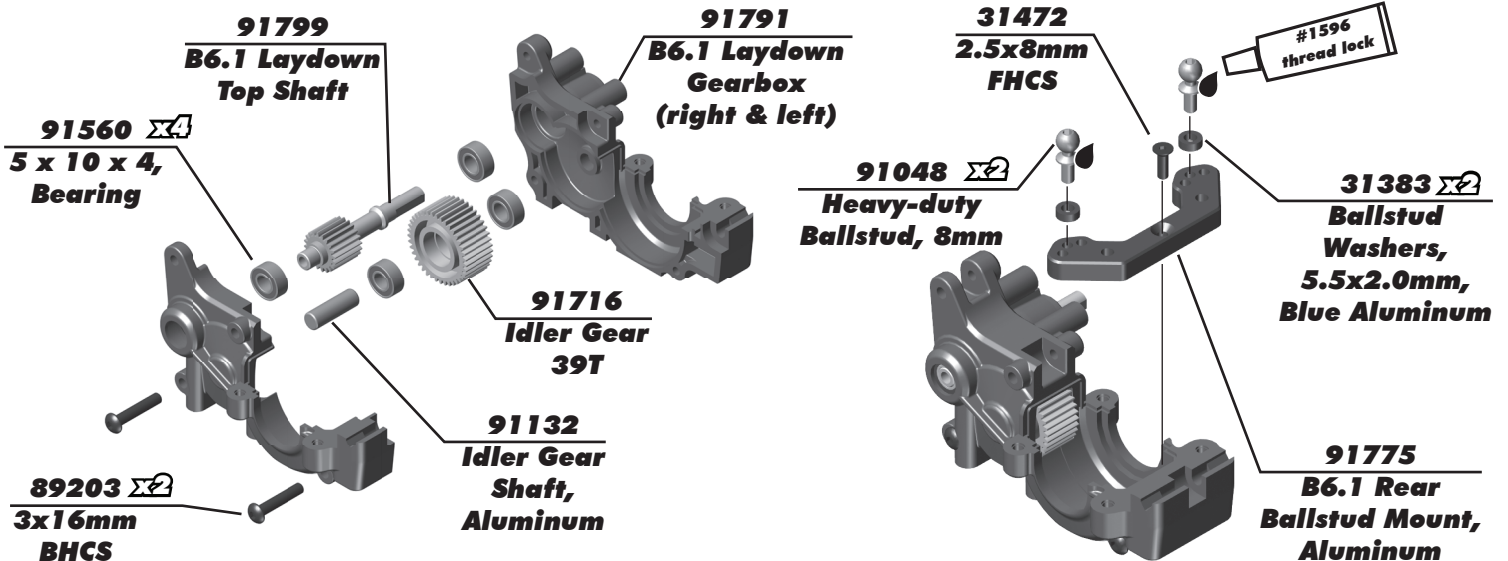


**:: Optional Rear Anti-Roll Bar Build - NOT INCLUDED**

**NOT INCLUDED**



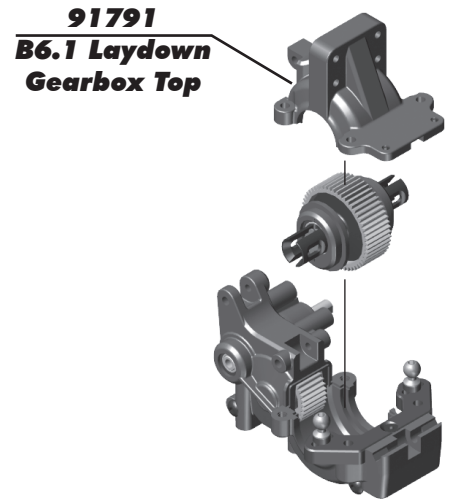
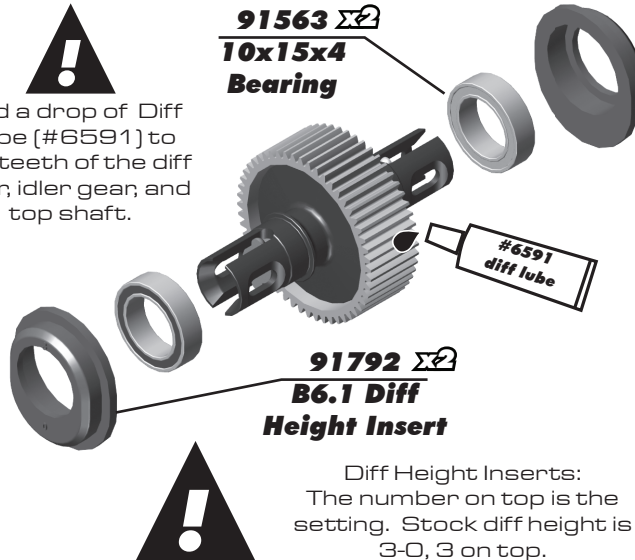
**:: Bag 6 - Step 1**



**:: Bag 6 - Step 2**

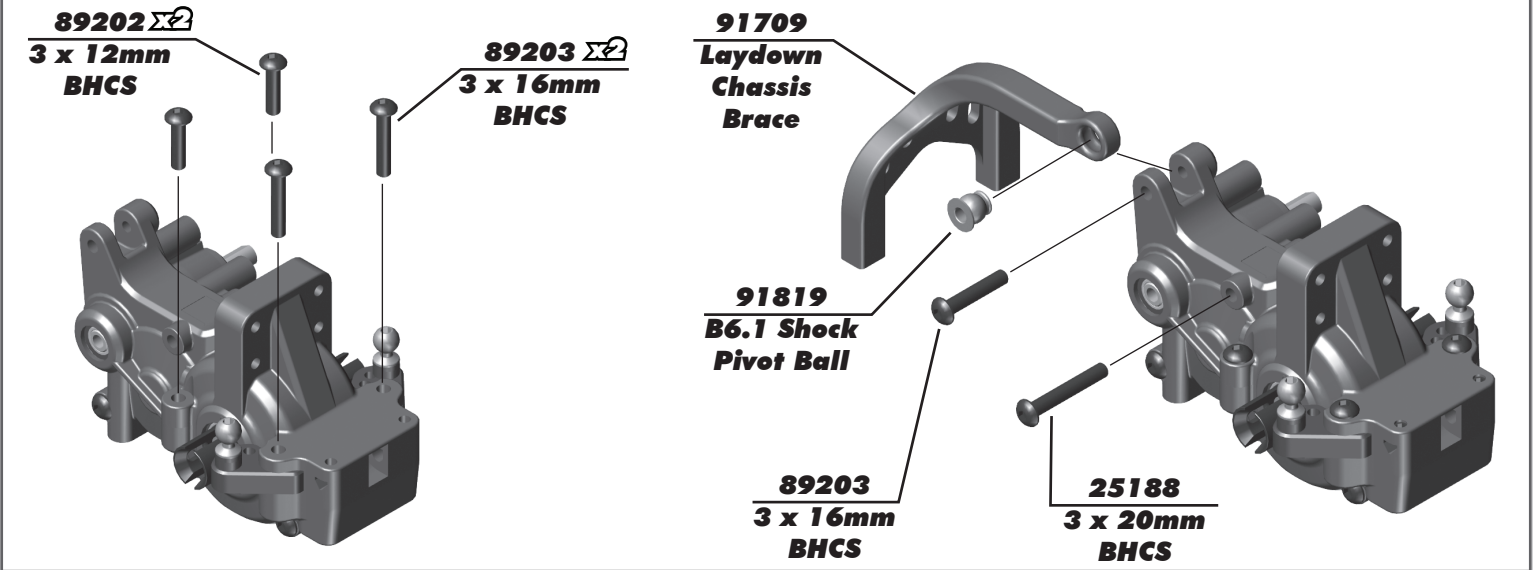
Diff Height	
	<b>3 Kit Setup</b>
	<b>2</b>
	<b>1</b>
	<b>0</b>

**!**  
Add a drop of Diff Lube [#6591] to the teeth of the diff gear, idler gear, and top shaft.

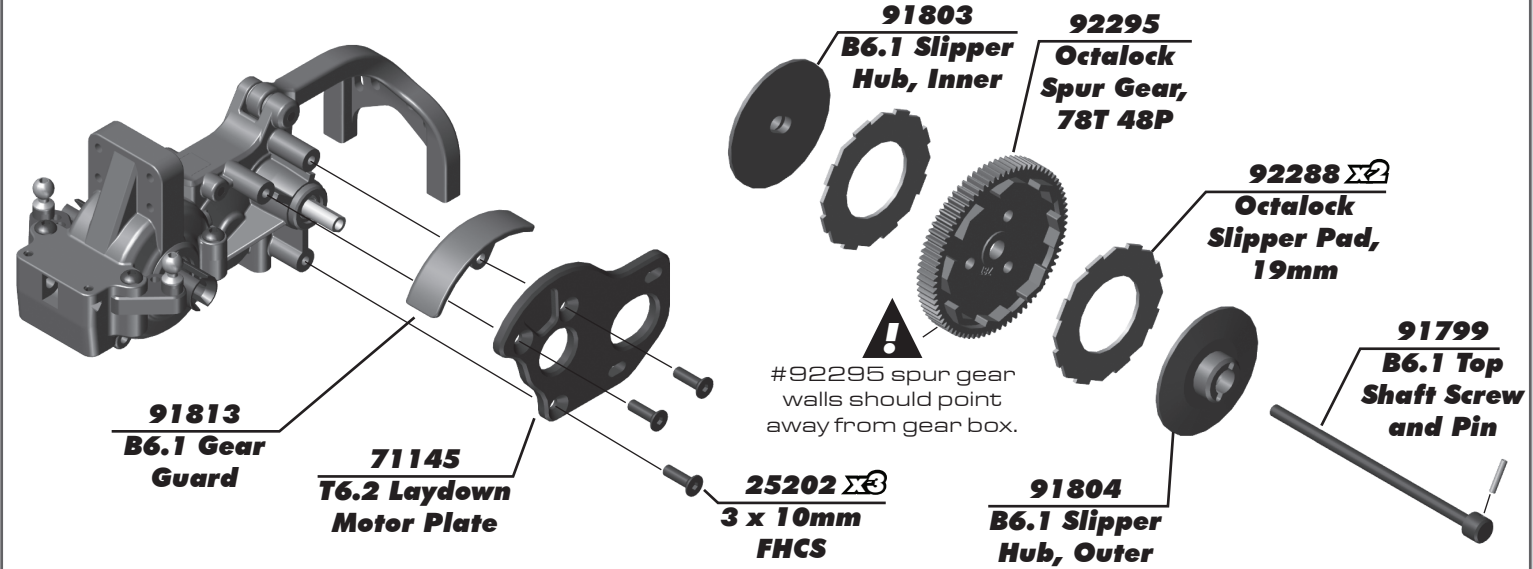


Diff Height Inserts:  
The number on top is the setting. Stock diff height is 3-0, 3 on top.

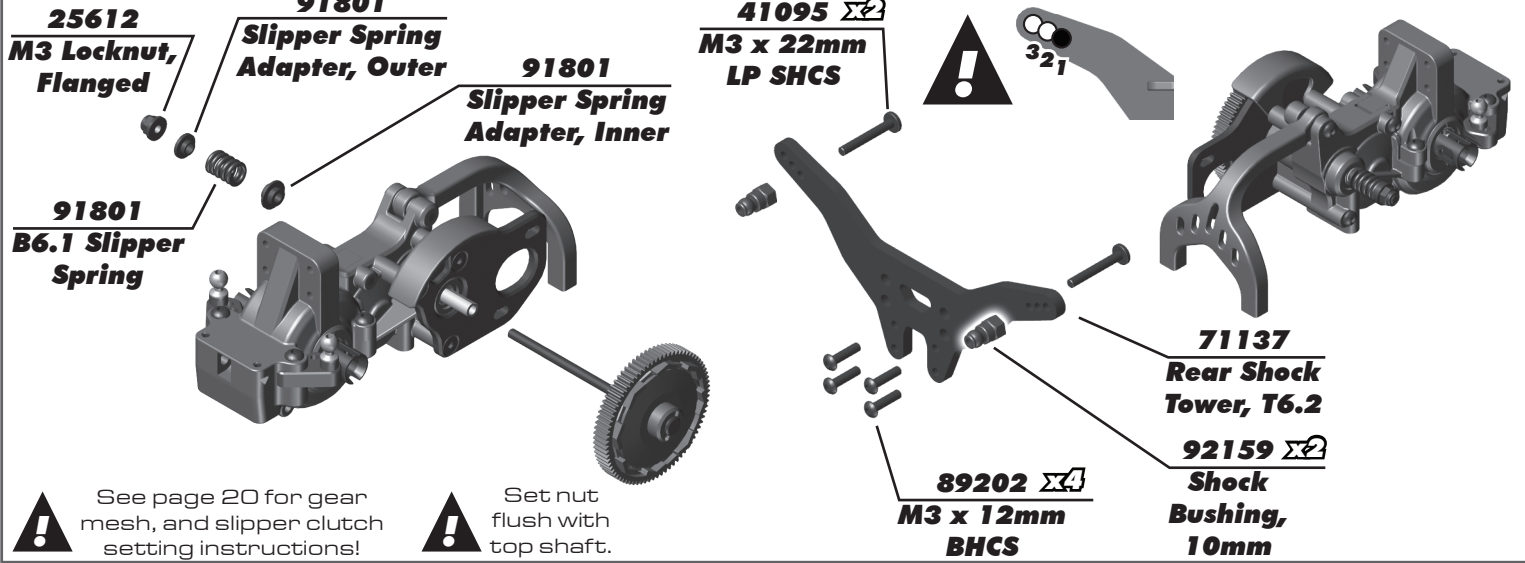
**:: Bag 6 - Step 3**



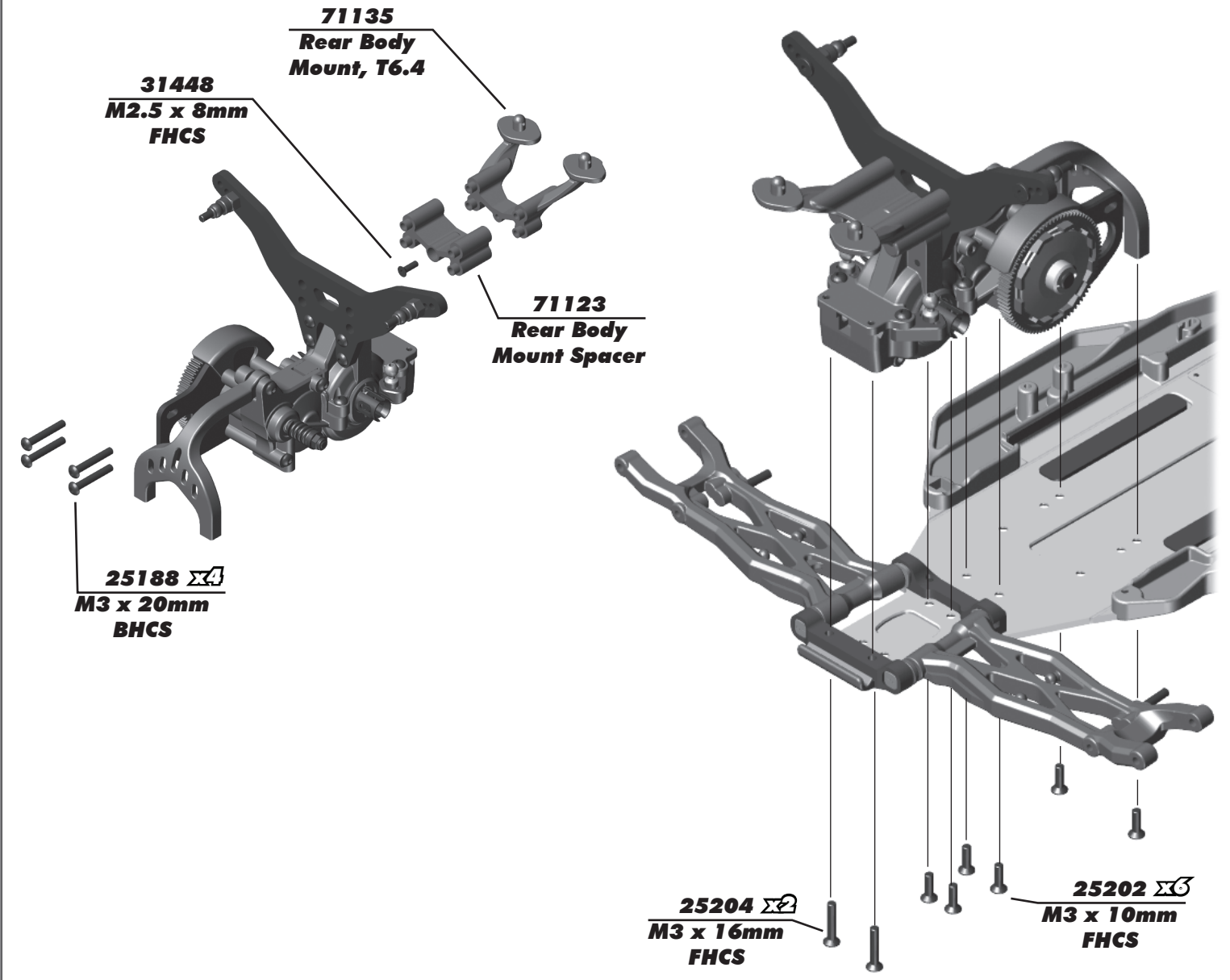
**:: Bag 6 - Step 4**



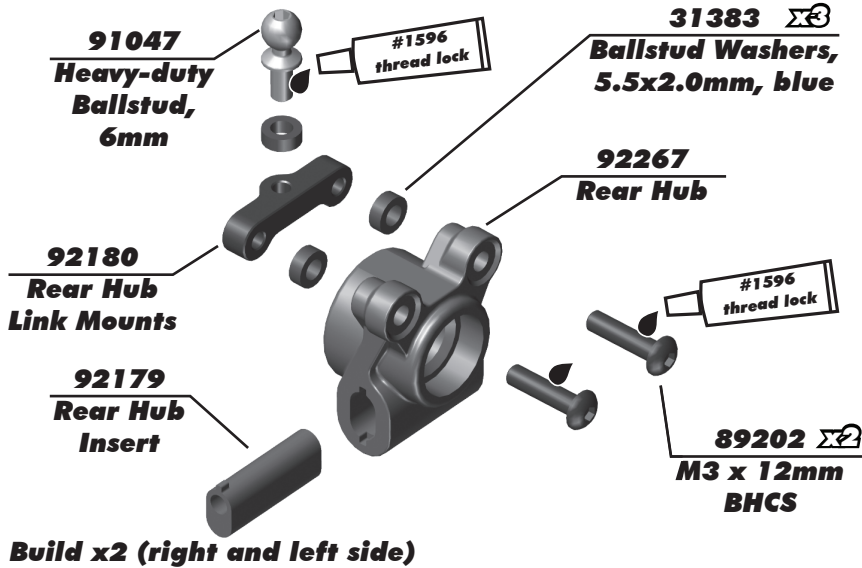
**:: Bag 6 - Step 5**



**:: Bag 6 - Step 6**

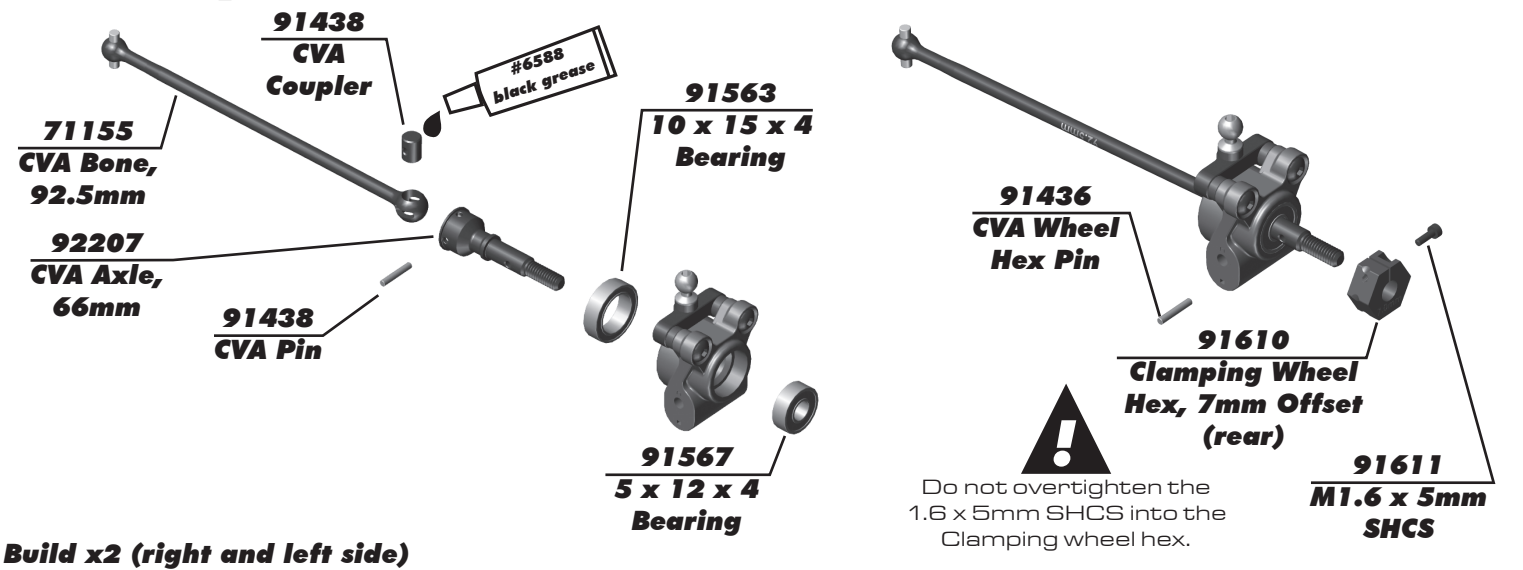


**:: Bag 7 - Step 1**

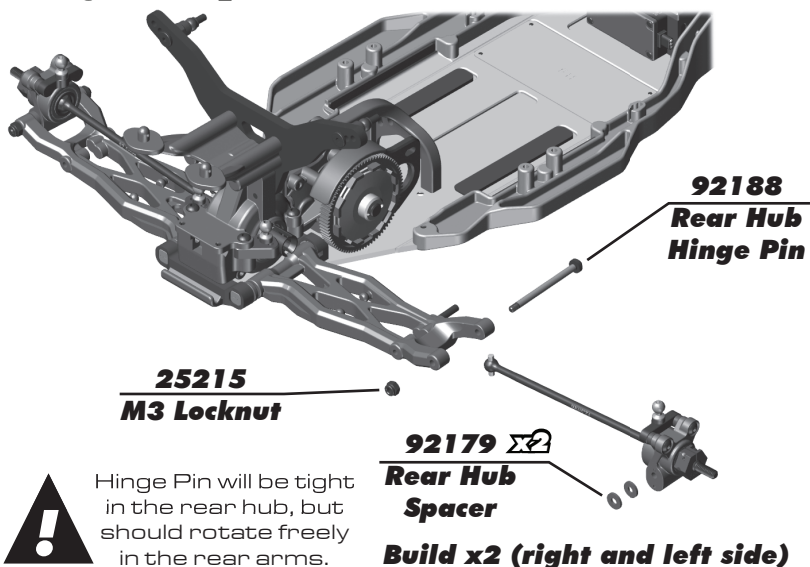


Rear Axle Height			
↑3	0↓		3↑ +3mm
↑2	1↓		2↑ +2mm
↓2	1↑		1↑ +1mm
↓ε	0↑		0↑ +0mm Kit Setup

**:: Bag 7 - Step 2**



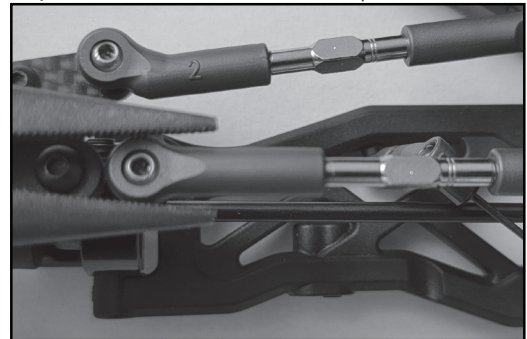
**:: Bag 7 - Step 3**



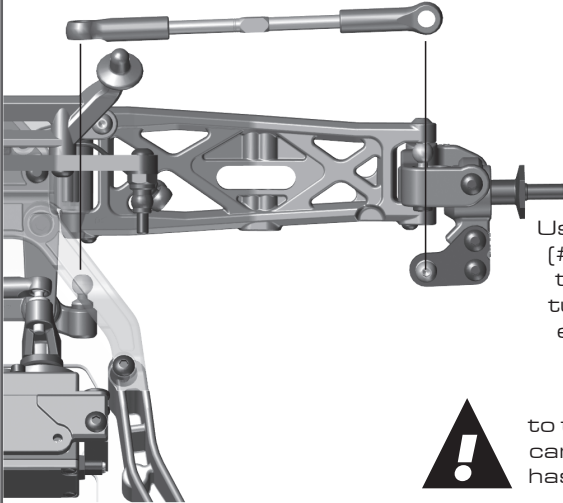
Hinge Pin will be tight in the rear hub, but should rotate freely in the rear arms.

**:: Bag 8 - Step 1**

It is important that the turnbuckle eyelets move freely once snapped on to the ballstud. If the fit is too tight, the car handling will be inconsistent. To check, grab turnbuckle eyelet with fingers and rotate the cup. If there is resistance, lightly squeeze ball cup with needle nose pliers as shown and test again. It is important that the ball cup be snapped onto the ballstud before squeezing with needle nose pliers. Be sure to check and adjust the fit for each ball cup that is installed.



**:: Bag 8 - Step 2**



Racers Tip:

Use black grease (#6588) on the threads of the turnbuckles for easier ball cup installation!



Orient the notch to the left throughout the car. It indicates which end has the left hand threads!



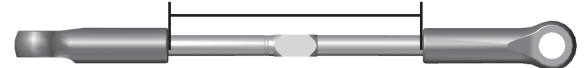
**92308**  
Ball Cup,  
3.5mm



**92340**  
Turnbuckle  
3.5x67mm

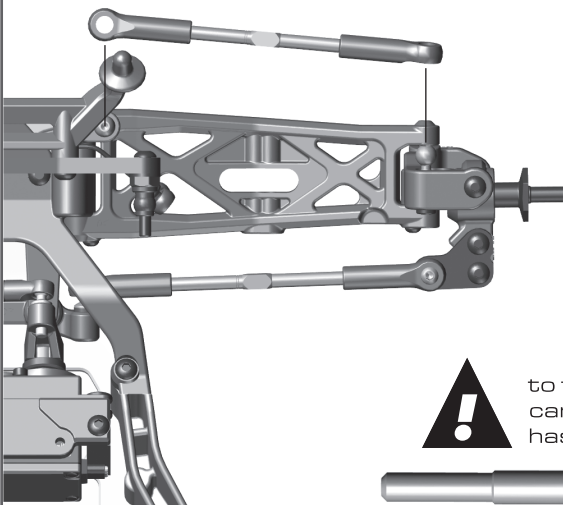
**92308**  
Ball Cup,  
3.5mm

**Steering Turnbuckle**  
43.30mm



**Build x2 (right and left side)**

**:: Bag 8 - Step 3**



Orient the notch to the left throughout the car. It indicates which end has the left hand threads!



**92308**  
Ball Cup,  
3.5mm



**92339**  
Turnbuckle  
3.5x58mm

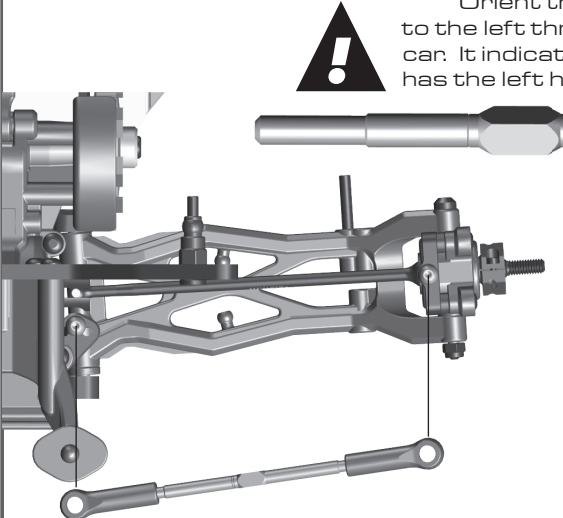
**92308**  
Ball Cup,  
3.5mm

**Front Camber Turnbuckle**  
37.70mm



**Build x2 (right and left side)**

**:: Bag 8 - Step 4**



Orient the notch to the left throughout the car. It indicates which end has the left hand threads!



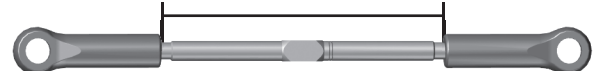
**92308**  
Ball Cup,  
3.5mm



**92340**  
Turnbuckle  
3.5x67mm

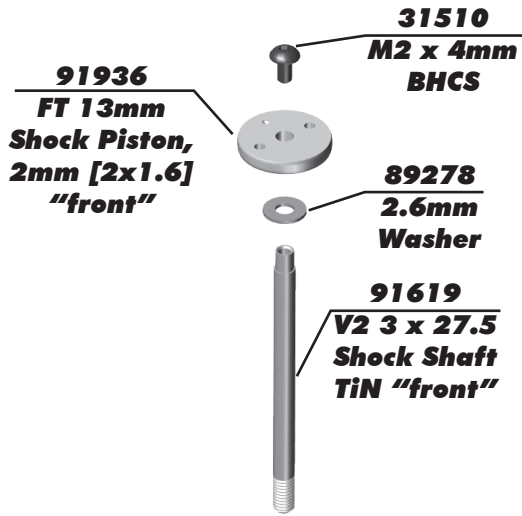
**92308**  
Ball Cup,  
3.5mm

**Rear Camber Turnbuckle**  
50.70mm



**Build x2 (right and left side)**

**:: Bag 9 - Step 1**

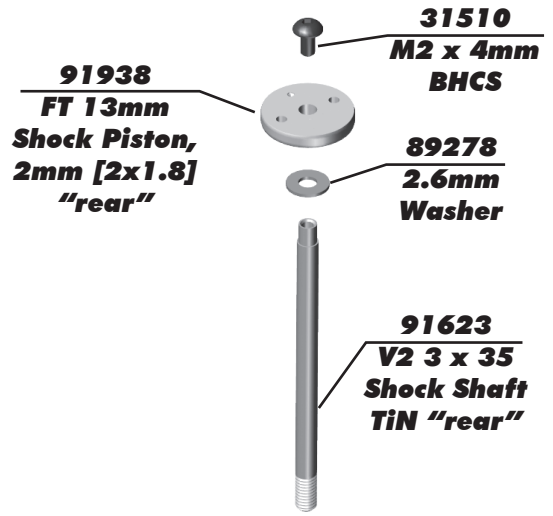


**!**  
Mount the shock pistons with the number facing up!



Racers Tip:

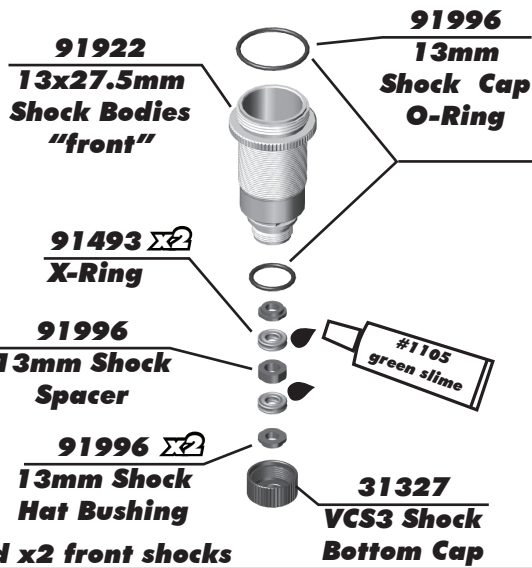
Use a marker over the numbers on the pistons to make them easily visible!



**Build x2 front shocks**

**Build x2 rear shocks**

**:: Bag 9 - Step 2**



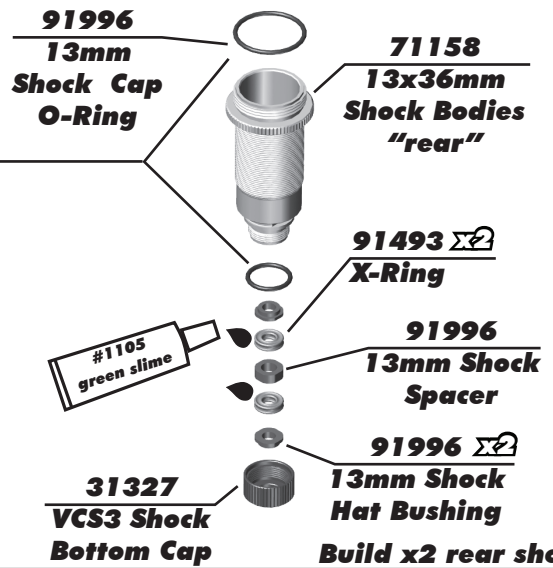
**!**  
Lightly rub shock oil on the O-ring before installation!



Racers Tip:

Coating the O-rings with green slime (#1105) helps seal & reduce O-ring swell! **Green slime not included in kit!**

**Build x2 front shocks**



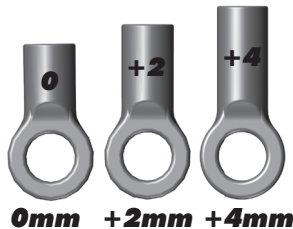
**Build x2 rear shocks**

**:: Bag 9 - Step 3**



**!**  
Lightly rub shock fluid or green slime on threads

**!**  
There are 3 lengths of shock eyelet in the kit. Pay attention to length when building as these affect your droop and uptravel.



**0mm +2mm +4mm**



**Build x2 front shocks**



**Build x2 rear shocks**



**:: Bag 9 - Step 4**

**Front Shock: 30wt #5422**  
**Rear Shock: 30wt #5422**

**91926 13mm Shock Cap**

**Steps 2-3**    **Steps 4-5**    **Steps 6-7**    **Step 8**

**Shock Bleeding Steps:**

1. Before assembly, get each bleed screw and thread it 1-2 turns into the shock cap, then remove the screw. This will make it easier when you are bleeding your shocks.
2. Pull shock shaft down.
3. Fill shock body 3/4 full with silicone shock fluid.
4. Slowly move the shock shaft up and down to remove air from under the piston.
5. Wait for bubbles to come to surface.
6. Fill shock body to top with silicone shock fluid.
7. Place a drop of oil in the cap and on cap threads.
8. Install cap (without bleed screw) and tighten completely.
9. Slowly compress shaft all the way to bleed excess silicone shock fluid out the hole in the cap (use rag around shock to catch excess fluid).
10. Install M2x4mm button head screw until snug while shaft is fully compressed.

**31510 M2 x 4mm BHCS**

Stroke

**Stroke Front: 28.5mm**  
**Rear: 34.5mm**

**Steps 9-10**

**:: Bag 9 - Step 5**

**91928 x4 13mm Threaded Collar O-ring**

**91996 x4 13mm Threaded Collar**

**Build x4**

**71161 13mm Front Spring, Gray 54mm (4.60lb)**

**71164 13mm Rear Spring, White 72mm (2.35lb)**

**Racers Tip:**  
Use your finger to rub shock fluid on the O-ring for smoother adjustment!

**:: Bag 9 - Step 6**

**Front: 4.80mm**

**91966 13mm Shock Spring Cup "Front - 5mm"**

**Build x2 front shocks**

**Rear: 8.00mm**

**91966 13mm Shock Spring Cup "Rear - 5mm"**

**Build x2 rear shocks**

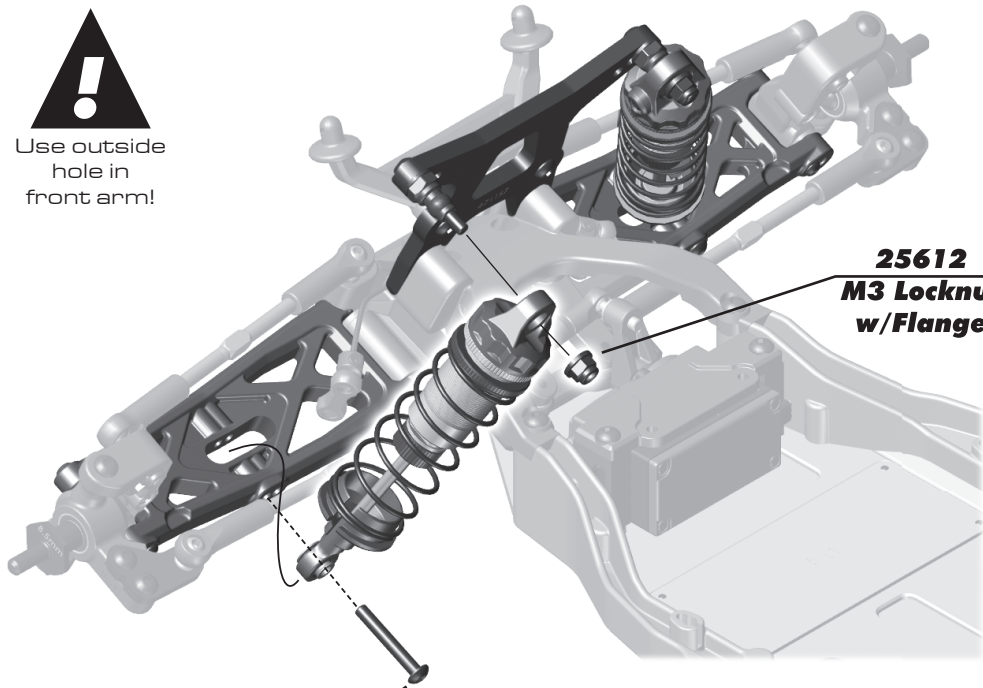
**#91966 13mm Shock Spring Cups**

**0mm    5mm    9mm**

**:: Bag 9 - Step 7**



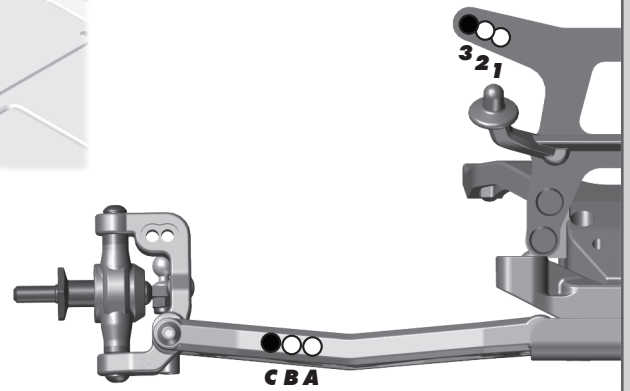
Use outside hole in front arm!



**25188**  
M3 x 20mm  
BHCS

**Build x2 (right and left side)**

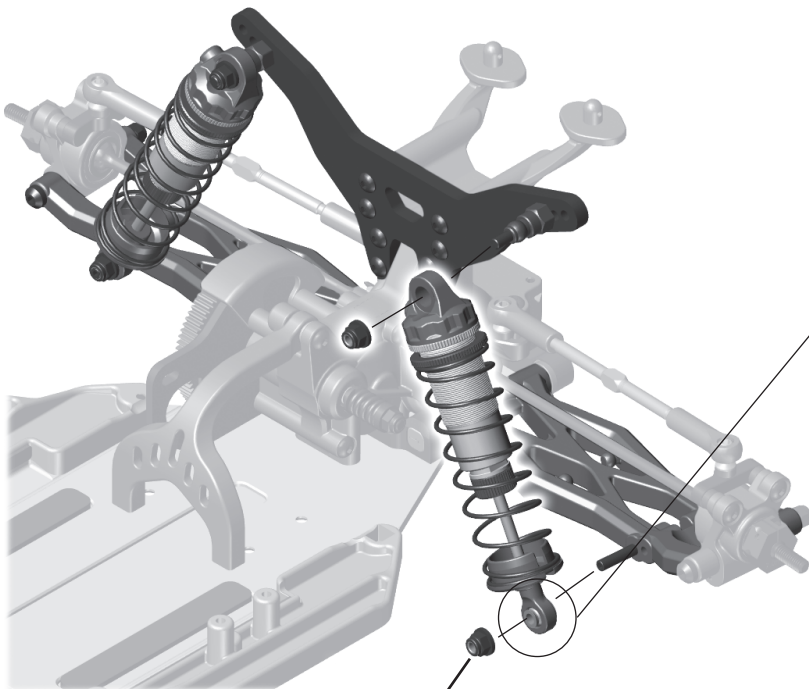
**25612**  
M3 Locknut  
w/Flange



**:: Bag 9 - Step 8**

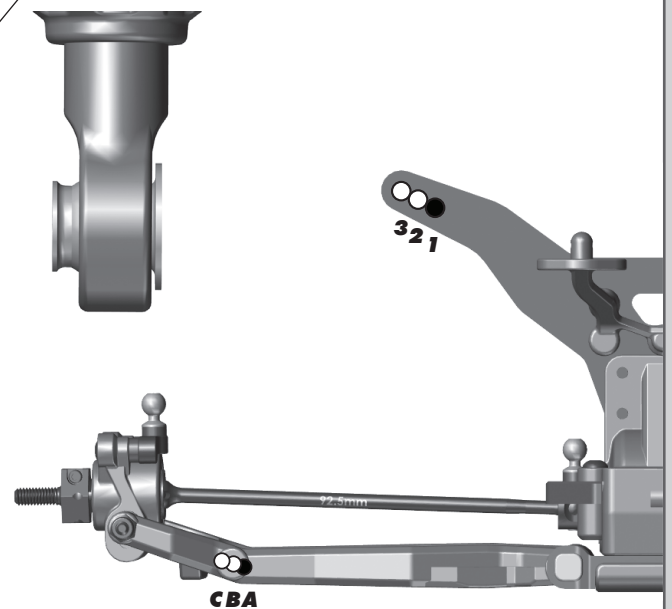


Make sure the flange on the shock pivot ball is towards the rear arm.



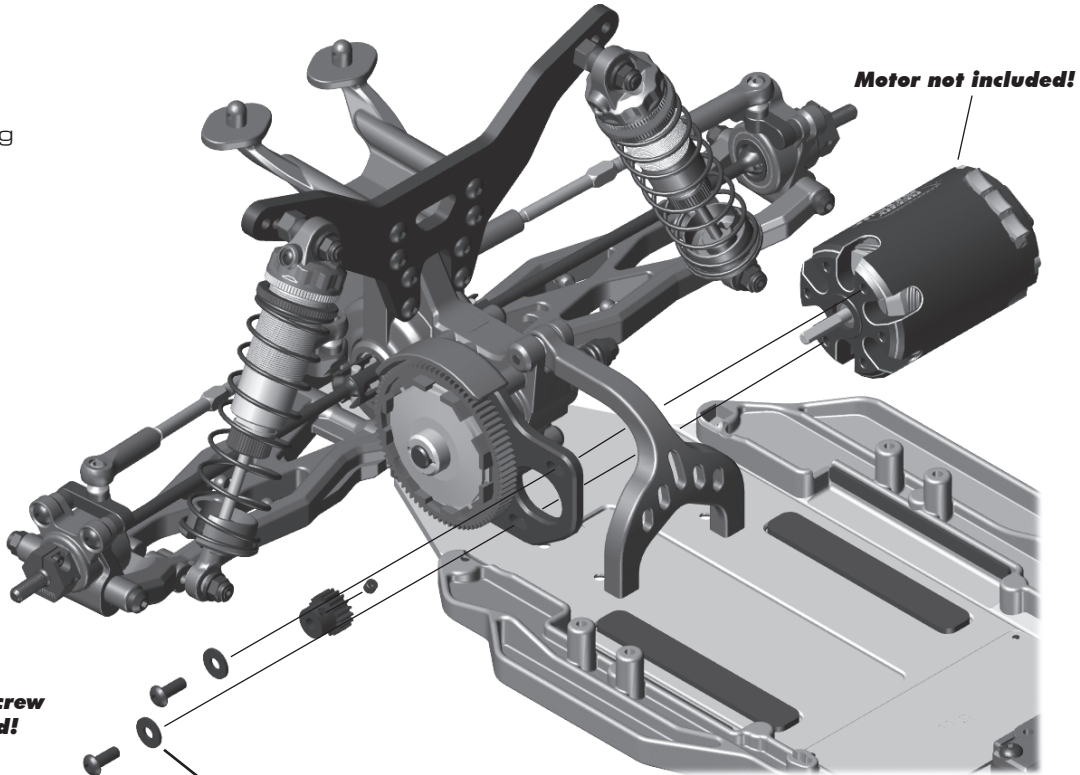
**25612 x2**  
M3 Locknut  
w/Flange

**Build x2 (right and left side)**



**:: Bag 10 - Step 1**

**!**  
See page 25 for gear mesh setting instructions!



**Pinion & Setscrew not included!**

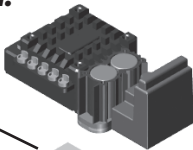
**31532 X2**  
**M3 x 8mm BHCS**

**89218 X2**  
**3 x 8mm Washer**

**:: Bag 10 - Step 2**

**ESC not included!**

**6727 Servo Tape**



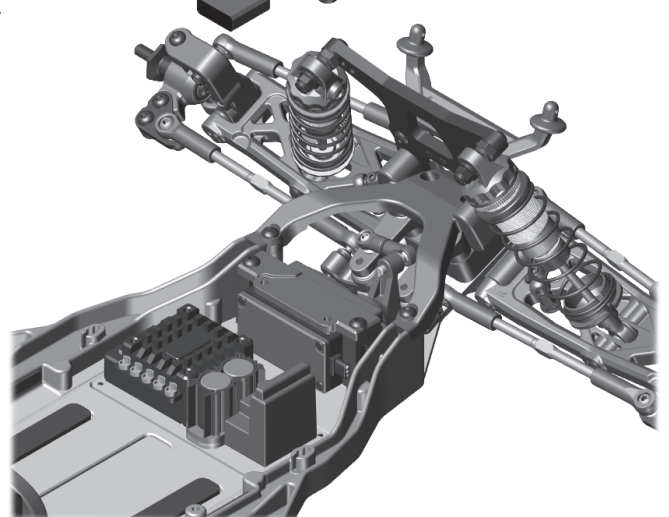
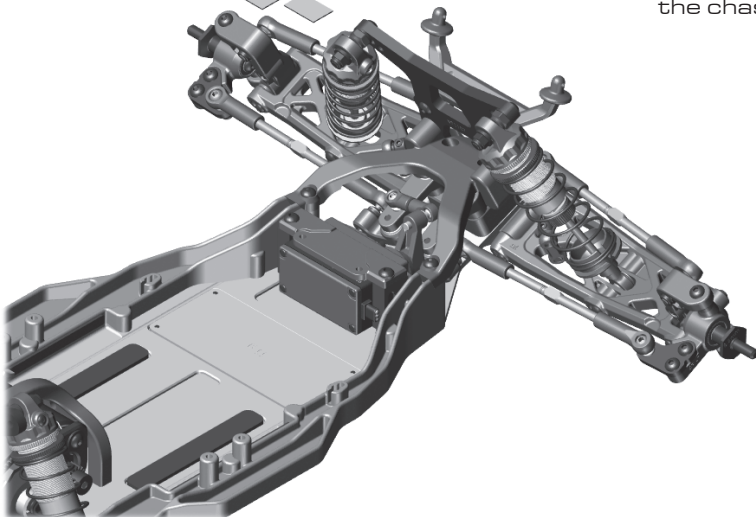
**Receiver not included!**



Antenna can be mounted on the right or left side of the chassis.

**91158 X2**  
**M3 x 4mm BHCS**

**Transponder not included!**



**:: Bag 10 - Step 3**



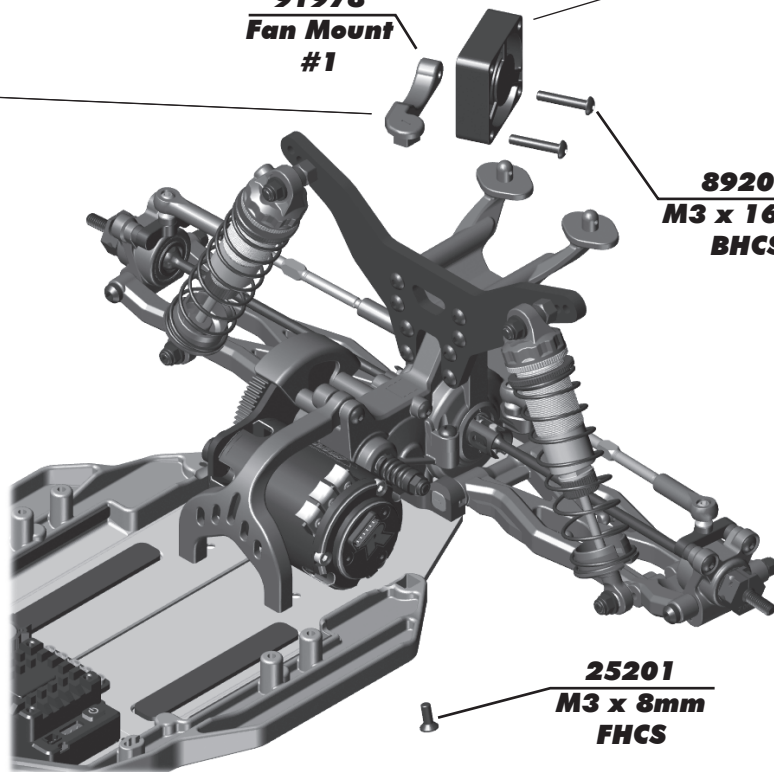
Fan mount options:  
 #1 - Laydown gearbox  
 #2 - Layback gearbox  
 #3 - Endbell location  
 #4 - Plug (no fan)



**91978**  
**Fan Mount**  
**#1**

*Fan not included!*

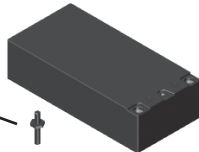
**89203**  
**M3 x 16mm**  
**BHCS**



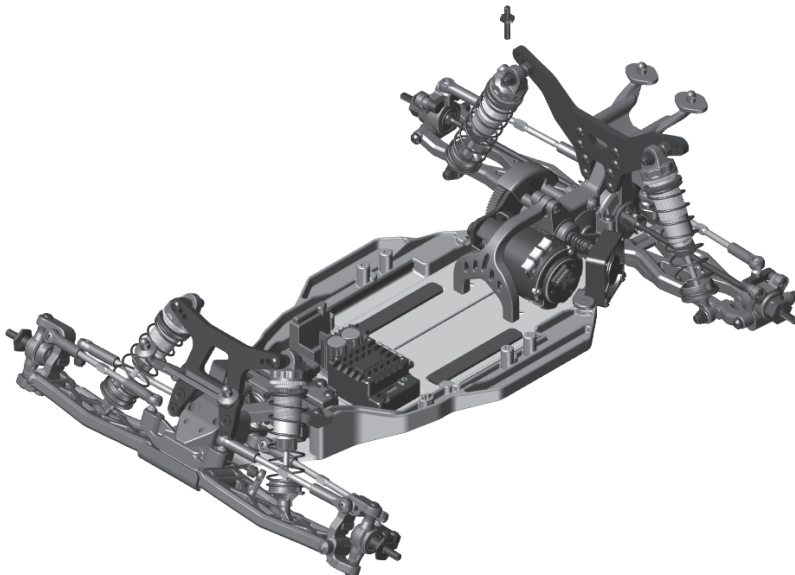
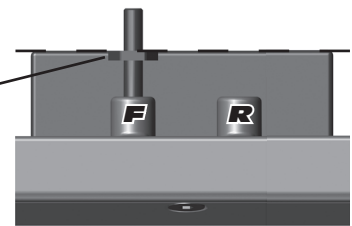
**25201**  
**M3 x 8mm**  
**FHCS**

**:: Bag 10 - Step 4**

**91730**   
**Battery Strap**  
**Shoulder**  
**Screw**



Make sure the battery strap shoulder screw is flush with the top of your battery pack!

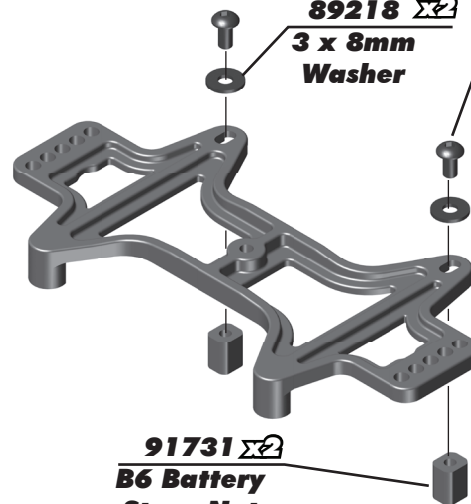


**89218**   
**3 x 8mm**  
**Washer**

**31531**   
**M3 x 6mm**  
**BHCS**

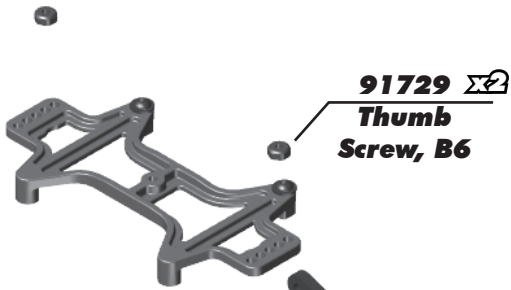
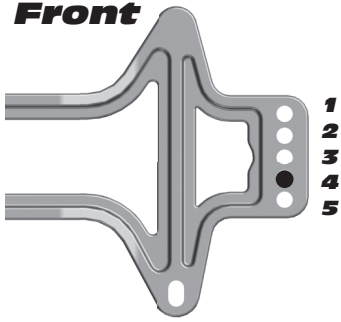
**91731**  
**Battery**  
**Strap, B6**

**91731**   
**B6 Battery**  
**Strap Nut**

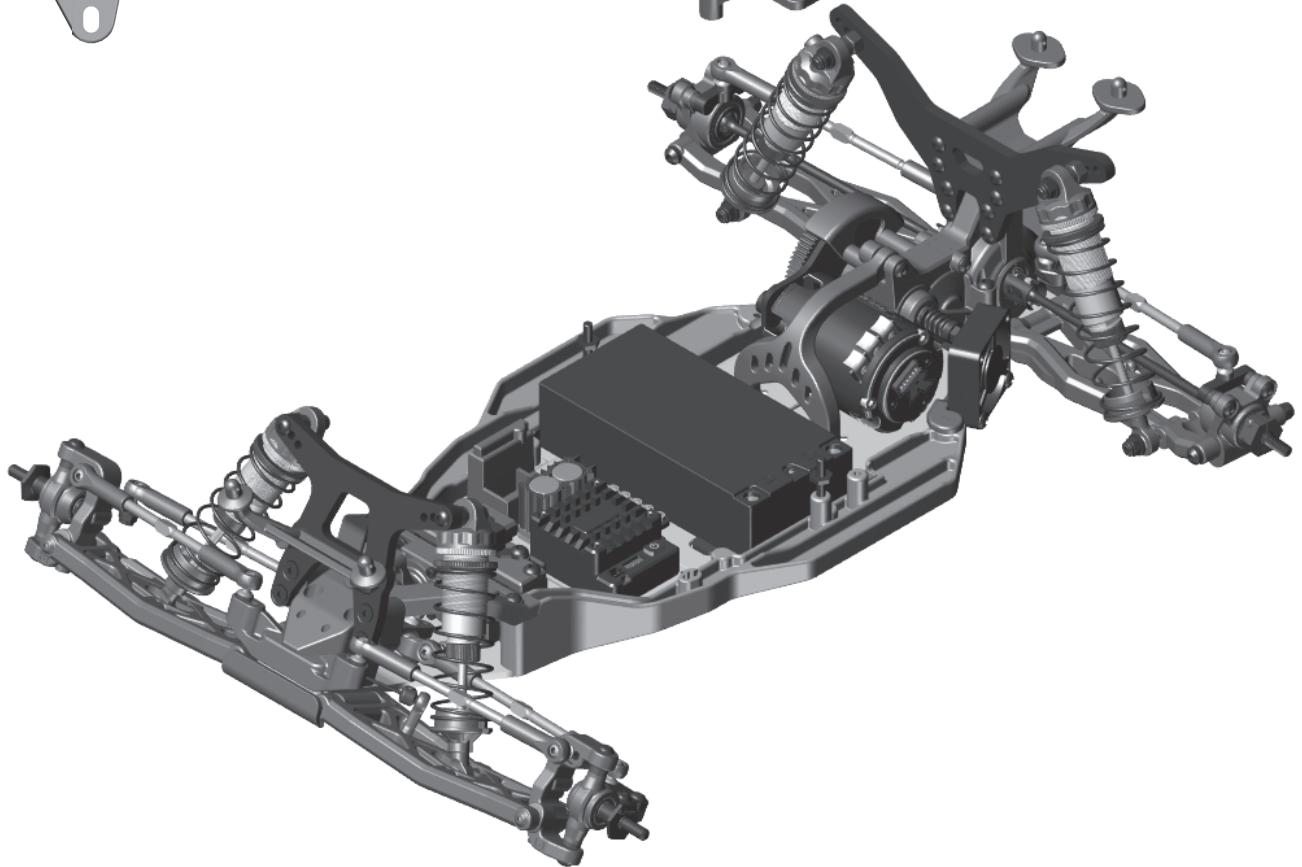


**:: Bag 10 - Step 5**

**Front**



**91729 X2**  
**Thumb**  
**Screw, B6**



**:: Bag 10 - Step 6 - Optional Chassis Brace Configuration \*NOT INCLUDED**

**91885**  
**Rod End**



**91723**  
**Turnbuckle**  
**3x48mm**



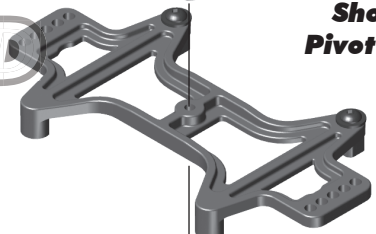
**91885**  
**Rod End**



**25612**  
**M3 LockNut**  
**w/Flange**

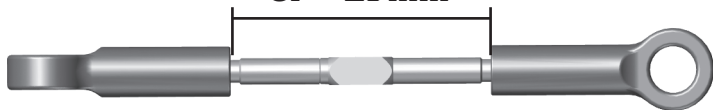


**91819 X2**  
**Shock**  
**Pivot Ball**



**!!OPTION!!**  
Tune for more  
chassis flex

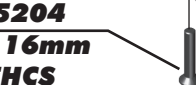
**Battery Brace Turnbuckle**  
**Varies with battery position**  
**3F - 29mm**



Installation: Remove the plastic chassis brace (3 screws) and install the battery brace turnbuckle with M3x16mm BHCS

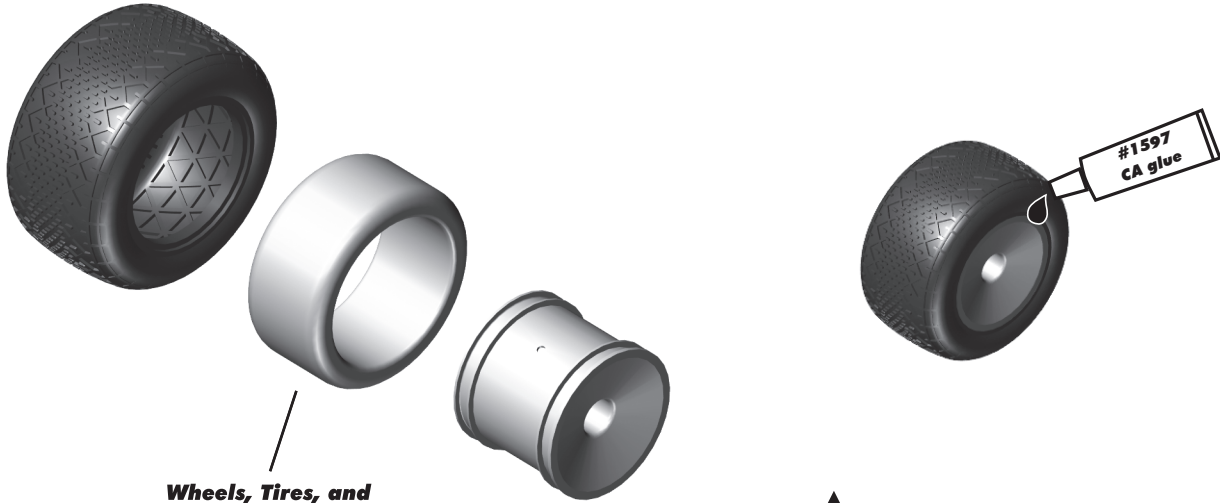
Pro Tip: Set the turnbuckle length based on battery position, adjust the length as needed to mate with the gearbox.

**25204**  
**3 x 16mm**  
**FHCS**



**NOT INCLUDED**

## :: Bag 10 - Step 7



**Wheels, Tires, and Inserts are not included!**

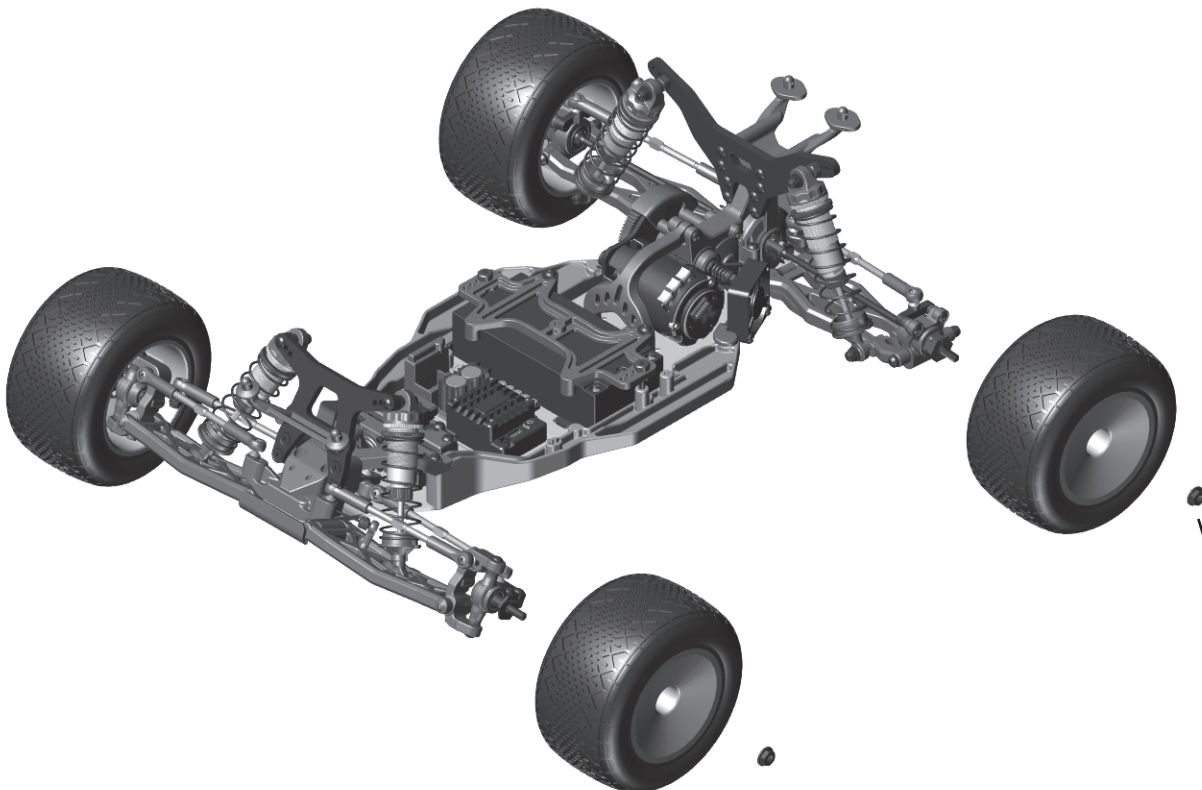


Carefully apply CA glue (tire adhesive) to the tire bead on the side. Do one side at a time, allowing it to dry before gluing the other side!

**CA glue not included!**

**Build 4**

## :: Bag 10 - Step 8



**91150  
M4 Low Profile  
Serrated Steel  
Wheel Nuts**

**:: Notes**

A large, empty rectangular area intended for taking notes, framed by a thin black border.

## :: Tuning Tips

### Painting:

Your Kit requires a clear polycarbonate body and polycarbonate specific paint. You will need to prep the body before you can paint it. Wash the INSIDE thoroughly with warm water and liquid detergent (do not use any detergents with scents or added hand lotion ingredients!). Dry the body using a clean, soft, lint-free cloth. Use the supplied window masks to cover the windows from the INSIDE of the body (RC cars get painted on the inside). Using high quality masking tape, apply tape to the inside of the body to create a design. Spray (use either rattle can or airbrush) the paint on the inside of the body (preferably dark colors first, lighter colors last). NOTE: ONLY use paint that is recommended for polycarbonate plastics. If you do not, you can destroy the body! After the paint has completely dried (usually after 24 hours), cut the body along the trim lines. Make sure to drill or use a body reamer to make the holes for the antenna if needed! Use hook and loop tape to secure the body to the side rails of the vehicle.

### Tips for Beginners:

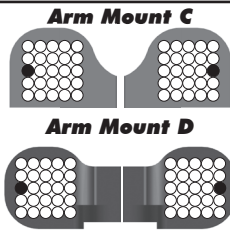
Before making any changes to the standard setup, make sure you can get around the track without crashing. Changes to your vehicle will not be beneficial if you can't stay on the track. Your goal is consistent laps. Once you can get around the track consistently, start tuning your vehicle. Make only ONE adjustment at a time, testing it before making another change. If the result of your adjustment is a faster lap, mark the change on the included setup sheet (make additional copies of the sheet before writing on it). If your adjustment results in a slower lap, revert back to the previous setup and try another change. When you are satisfied with your vehicle, fill in the setup sheet thoroughly and file it away. Use this as a guide for future track days or conditions. Periodically check all moving suspension parts. Suspension components must be kept clean and move freely without binding to prevent poor and/or inconsistent handling.

### Rear Arm Mount Pill Insert Setup:

The aluminum rear arm mounts utilize eccentric pill inserts to make fine adjustments to anti-squat, toe, pin heights, and pin width. Adjustments can be made using the supplied inserts (#92014)

#### Standard Position

Use this position as a reference when changing pill locations.



Toe: 3°  
Anti-squat: 1°  
Roll Center: +0  
Pivot Width: +0

#### Insert Hole Locations

Number indicates degree of change:  
0.5°, 1.0°, 0° (center dot)

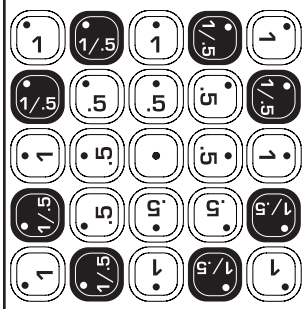
- 1: Hole 0.5° or 0.35mm from center
- .5: Hole 1.0° or 0.7mm from center
- 1: Hole 1.0° or 0.7mm from center

#### Anti-squat Angle

More angle = More anti-squat  
Less angle = Less anti-squat  
Shown in 1° changes

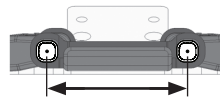
C Mount	D Mount	Angle
		+1°
		0°
		-1°
		+2°
		+1°
		0°
		-3°
		-2°
		+1°

#### Possible Insert Locations



#### Pin Width

More distance = wider pivot  
Less distance = narrow pivot  
\*Note: For pin width -1.4mm, use 67mm CVA driveshafts



C Mount	D Mount	Pin Width Change
		+1.4mm
		+0.7mm
		0mm
		-0.7mm
		-1.4mm*

#### Toe Angle

More angle = More toe in  
Less angle = Less toe in  
Shown in 1° changes

C Mount	D Mount	Angle
		+3°
		+4°
		+5°
		+2°
		+3°
		+4°
		+1°
		+2°
		+3°



For additional setup tips, please visit our website by using the link or QR code below.

<http://bit.ly/B6PillChart>





## :: Tuning Tips (cont.)

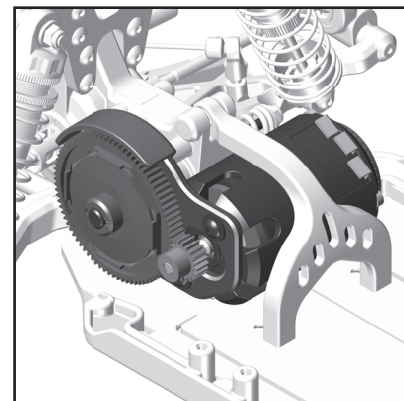
### Motor Gearing:

Proper motor gearing will result in maximum performance and run time while reducing the chance of overheating and premature motor failure. The gear ratio chart lists recommended **starting gear ratios** for the most widely used motor types. Gear ratios will vary depending upon motor brand, wind, and electronic speed control. Consult your motor and electronic speed control manufacturers for more information.

Team Associated is not responsible for motor damage due to improper gearing.

#### T6 Gear Ratio Chart (Internal Gear Ratio 2.60:1)

Motor	Pinion	Spur	Final Drive Ratio
21.5 Reedy S-Plus Brushless	32	81	6.58:1
17.5 Reedy S-Plus Brushless	27	81	7.80:1
13.5 Reedy S-Plus Brushless	25	81	8.42:1
10.5 Reedy 540-M4 Brushless	24	81	8.78:1
9.5 Reedy 540-M4 Brushless	23	81	9.16:1
8.5 Reedy 540-M4 Brushless	22	81	9.57:1
7.5 Reedy 540-M4 Brushless	21	81	10.03:1
6.5 Reedy 540-M4 Brushless	20	81	10.53:1



### Set The Gear Mesh:

You should be able to rock the spur gear back and forth in the teeth of the pinion gear without making the pinion gear move. If the spur gear mesh is tight, then loosen the #31532 screws (p. 19) and move the motor away, then try again. A gear mesh that is too tight or too loose will reduce power and damage the gear teeth.

### Diff Height Adjustment:

Diff height adjustment (p.12) .

On high grip surface when using low ride heights, a higher diff height would be a good option.

On low grip surface when using high ride heights, a lower diff height would be better.

### Gear Box Type:

Selecting the correct gear box is dependent on the type of track it will be used on. The optional 4-gear standup gear box is for the lowest grip conditions. This gear box moves the weight towards the rear of the car and also uses the rotation of the motor to transfer weight to the rear while on-power. The 3-gear standup gear box also moves the weight towards the rear of the car, but in this configuration, the motor's rotation helps with on-power steering.

The laydown gear box is used on high grip conditions when on-power steering and stability are most important.

This gear box will change directions the quickest and generate the most steering. Layback is used for most indoor clay track conditions.

### Slipper Clutch:

The assembly instructions give you a base setting for your clutch. Turn the nut on the shaft so that the end of the top shaft is even with the outside of the nut. At the track, tighten or loosen the nut in 1/8 turn increments until you hear a faint slipping sound for 1-2 feet on takeoffs. Another popular way to set the clutch is to hold both rear tires firmly in place and apply short bursts of throttle. If the clutch is properly set, the front tires should lift slightly up off the surface.

### Caster:

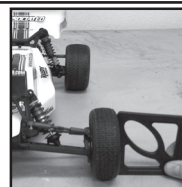
Caster describes the angle of the caster block as it leans toward the rear of the vehicle. Positive caster means the kingpin leans rearward at the top. The kit includes three inserts to adjust caster angle at the caster block, 0°, 2.5°, and +5°. The total caster angle is the sum of the kick-up angle and the caster block angle. Standard total caster angle for the B6 is 30°, with 25° kick-up and +5° caster block angle.

For less entry steering and more exit steering, try 0° caster block angle.

### Front Camber:

Camber describes the angle at which the tire and wheel rides when looked at from the front. Negative camber means that the tire leans inward at the top. A good starting camber setting is -1°. Positive camber, where the top of the tire is leaning out, is not recommended.

A camber gauge can be used to more accurately set camber.



Testing camber  
with camber gauge

### Rear Camber:

Camber describes the angle at which the tire and wheel rides when looked at from the back. Negative camber means that the tire leans inward at the top. A good starting camber setting is -1°. Adding a small amount of positive camber, where the top of the tire is leaning out, will tend to improve straight-line acceleration on loose tracks.

A camber gauge can be used to more accurately set camber.

# FIND IT ON ASSOCIATEDELECTRICS.COM

## CARS & TRUCKS



### Vehicle Spare Parts

GO TO:

[AssociatedElectrics.com](#) →  
[Team Associated tab](#) →  
[Cars & Trucks](#) →  
[Scroll to your vehicle](#) →  
[Parts & Accessories link](#)

## SETUP SHEETS & MANUALS



### Setups and Manuals

GO TO:

[AssociatedElectrics.com](#) →  
[Team Associated tab](#) →  
[Manuals & Setups](#) →  
[Scroll to your vehicle](#)

## A-TEAM APPS



### Tuning Guides & Tips

GO TO:

[AssociatedElectrics.com](#) →  
[Support](#) →  
[A-Team Apps](#)



**Associated Electrics, Inc.**

**21062 Bake Parkway Lake Forest, CA 92630 USA**

**call: (949) 544-7500 - fax: (949) 544-7501**

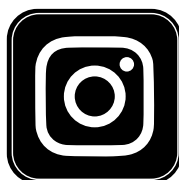
**Check out the following web sites for all of our kits, current products,  
new releases, setup help, tips, and racing info!**

**[www.AssociatedElectrics.com](http://www.AssociatedElectrics.com)**

**FOLLOW US ON SOCIAL MEDIA**



**TeamAssociated**  
**ReedyPower**  
**ElementRC**



**@TeamAssociatedRC**  
**@ReedyPower**  
**@Element\_RC**



**@Team\_Associated**  
**@ReedyPower**