

RC10 TEAM SC62 KIT

1:10 Scale 2WD Electric Off Road
Competition Short Course Truck Kit



#7008 RC10SC6.2 TEAM KIT

1:10 Scale 2WD Electric Off Road Competition Short Course Truck Kit Manual & Catalog



CHAMPIONS *by* DESIGN

AssociatedElectrics.com

TEAM ASSOCIATED

:: Introduction

Thank you for purchasing this Team Associated product. This assembly manual contains instructions and tips for building and maintaining your new vehicle. Please take a moment to read through the manual and familiarize yourself with the steps. We are continually changing and improving our designs; therefore, actual parts may appear slightly different than the illustrations. New parts will be noted on supplementary sheets located in the appropriate parts bags. Check each bag for these sheets before you start to build.

:: RC10SC6.2 KIT Features

- Flat suspension arms and new rear carbon fiber shock tower with updated geometry
- B74.1 two-piece rear hub with aluminum upper caps for fine geometry adjustments
- 1.3mm front anti-roll bar and hardware included for added high-speed stability
- Lay Down & Lay Back Stealth[®] transmission both included for tuning weight bias
- Factory Team 13g aluminum chassis weight
- Updated side rails for 30mm motor fan mount shared with B6.2 buggy
- Easy-access differential with height adjustment using included 0, 1, 2, and 3mm inserts
- +1 carbon fiber steering block arms
- Updated front bumper design for increased durability
- Aluminum C and D arm mounts included for large range of anti-squat and toe adjustments
- Aluminum rear ballstud mount for added strength
- Lightweight, hard-anodized aluminum chassis with centralized mass and three mid-motor positions for improved handling on all track types.
- Differential height adjustment with included 0, 1, 2, & 3mm inserts.
- Easy access to ball differential.
- New slipper assembly for better weight balance and shock clearance.
- Heavy-duty 4mm carbon fiber shock towers.
- Heavy-duty V2 rear axle with 91mm CVA bones.
- V2 12mm "Big Bore" threaded aluminum shocks with 3mm shafts and x-rings for improved smoothness.
- Machined pistons included for better fit and smoother operation.
- Reverse bell crank steering allows more room for mounting electronics.
- Bolt on steering block arms for easy Ackermann adjustments.
- Aluminum rear ball stud mount for added strength.
- One-piece shock bushing to make assembly easier.
- Lightweight aluminum top shaft.
- Innovative rear arm with molded inserts for ultra-fine lower shock mounting adjustments.
- Factory Team upgraded ball bearing kit included (now oiled instead of greased for less drag).
- Heavy-duty ball cups and ball studs allow for maximum suspension travel while reducing bind and friction.

:: Additional

Your new SC6.2 Team Kit comes unassembled and requires the following items for completion (refer to catalog for suggestions):

- R/C two channel surface frequency radio system
 - AA-size batteries for transmitter (#302 alkaline)
 - Electronic Speed Control, ESC (#27002, 27003, 27004, 27005)
 - Steering servo (#27113, 27114, 27116, 27100, 27101, 27107, 27109)
 - R/C electric motor
 - Pinion gear (48P), size determined by type/wind of motor
 - Battery charger (a peak detection charger, or LiPo compatible charger)
 - 2 cell LiPo battery pack (#27318, 27347, 27348, 27349, 27350)
 - Polycarbonate specific spray paint
 - Cyanoacrylate glue (CA)(#1597)
 - Thread locking compound (#1596)
 - Tires and Inserts, Fronts and Rears
 - Wheels w/12mm Hex #71040, 91101
- Tools included:
- Allen wrenches 1.5mm, 2.0mm
 - #1113 12mm Shock Tool
 - Multi-wrench

:: Other Helpful Items

- Silicone Shock Fluid (Refer to catalog for complete listings)
- FT Body Scissors (#1737)
- FT Hex/Nut Wrenches (#1519)
- FT Universal Tire Balancer (#1498)
- FT Dual Turnbuckle Wrench (#1114)
- FT Body Reamer (#1499)
- Needle Nose Pliers
- Calipers or a Precision Ruler
- Green Slime shock lube (#1105)
- Shock Pliers (#1675)
- FT Ballcup Wrench (#1579)
- Soldering Iron
- Wire Cutters
- Hobby Knife


















Associated Electrics, Inc.
21062 Bake Parkway.
Lake Forest, CA 92630



Customer Service
Tel: 949.544.7500
Fax: 949.544.7501

:: Hardware - 1:1 Scale View








Button Head (bhcs)

	2x4mm (31510) Aluminum (8545)
	2.5x6mm (31520)
	2.5x8mm (31521)
	2.5x10mm (31522)
	3x4mm (91158)
	3x5mm (31530)
	3x6mm (31531) Aluminum (8550) Titanium (91580)
	3x8mm (31532) Aluminum (8552) Titanium (91581)
	3x10mm (25211) Aluminum (8554) Titanium (91582)
	3x12mm (89202) Titanium (91583)
	3x14mm (25187) Titanium (91584)
	3x16mm (89203) Titanium (91585)
	3x18mm (2308)
	3x20mm (25188) Titanium (91587)
	3x22mm (25189) Titanium (91588)
	3x24mm (89204) Titanium (91589)
	3x30mm (91478)

Cap Head (shcs)

	1.6 x 5mm (91611)
--	-------------------





Flat Head (fhcs)

	2x3mm (91743)
	3x8mm (25201) Aluminum (8553) Titanium (91592)
	3x10mm (25202) Aluminum (8555) Titanium (91593)
	3x12mm (25203) Aluminum (8556) Titanium (91594)
	3x14mm (89208) Aluminum (8567) Titanium (91595)
	3x16mm (25204) Titanium (91596)
	3x18mm (89209) Titanium (91597)




Set Screws

	3x2.5mm (31500)
	3x3mm (25225)
	3x10mm (4671)






Shims and Washers

	5.5x0.5mm (31381)
	5.5x1.0mm (31382)
	5.5x2.0mm (31383)
	3x8mm Washer (89218)








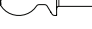





Diff Balls

	5/64 Diff Thrust Balls (6574)
	3/32 Carbide Diff Balls (6581)
	3/32 Ceramic Diff Balls (6584)










Ball Bearings

	3x7x3mm (91475)
	5x8x2.5mm (31400)
	5x10x4mm (91560)
	6x13x5 (91562)
	10x15x4 (91563)

Ballstuds

	Silver 5mm long (31283)
	Ti Nitride 5mm long (31291)
	Silver 8mm long (31284)
	Ti Nitride 8mm long (31292)
	HD 6mm (91047)
	Ti Nitride HD 6mm (91118)
	Ti HD 6mm (91751)
	HD 8mm (91048)
	Ti Nitride HD 8mm (91119)
	Ti HD 8mm (91752)
	HD 10mm (91049)
	Ti Nitride HD 10mm (91120)
	Ti HD 10mm (91753)

Nuts (lock/plain)

	M3 Nut (91477)
	M3 Alum. Locknut, Blue (31550)
	M3 Locknut, Black (25215)
	M3 Locknut w/Flange (25612)
	FT 3mm Locknuts, Blue(25392)
	M4 Locknuts: Serrated Steel LP (91150)
	Serrated Steel (Silver) (91826)
	FT Aluminum (Blue) (31551)
	Serrated Aluminum (Black) (91738)

Notes:

:: Table of Contents

1.....	Cover	15.....	Turnbuckles Build Bag 8
2.....	Introduction	16.....	Shocks Build Bag 9
3.....	1:1 Hardware “Fold Out”	17.....	Shocks / Electronics / Wheels Install Bag 10
4.....	Table of Contents	19.....	Rear Shock Mounting Option
5.....	Chassis Build Bag 1	20.....	Tuning Tips
5.....	Front End Build Bag 2	23.....	Catalog
8.....	Steering Build Bag 3	32.....	Setup Sheet “Kit Setup”
9.....	Rear Arms Build Bag 4	33.....	Setup Sheet “Blank”
10.....	Differential Build Bag 5	34.....	Back Cover
11.....	Transmission Build Bag 6		
14.....	Rear Hubs Build Bag 7		

:: Notes



This symbol indicates a special note or instruction in the manual.



This symbol indicates a Racers Tip.



There is a 1:1 hardware foldout page in the front of the manual. To check the size of a part, line up your hardware with the correct drawing until you find the exact size. Each part in the foldout has a number assigned to it for ordering replacement parts.

Associated Electrics, Inc.
21062 Bake Parkway.
Lake Forest, CA 92630



Customer Service
Tel: 949.544.7500
Fax: 949.544.7501

:: Bag 1 - Step 1

31382 x2
FT Ballstud Washer, Aluminum (1mm)

91048 x2
Heavy-duty Ballstud, 8mm

91475 x4
3 x 7 x 3 Ball Bearing

91667
Steering Bellcrank (Right)

91667
Steering Bellcrank (Left)

91667
Steering Rack

31382 x2
FT Ballstud Washer, Aluminum (1mm)

Front
TOP

Note orientation of steering rack.

:: Bag 1 - Step 2

25188 x2
M3 x 20mm BHCS

31283
5mm Ball Stud, Long

91049 x2
Heavy-duty Ballstud, 10mm

91667
Steering Bellcrank Brace

89202 x2
M3 x 12mm BHCS

31382 x2
FT Ballstud Washer, Aluminum (1mm)

91766
Front Ball Stud Mount

The steering bellcrank brace has offsets on one side. They should be installed towards the bearings.

Do not overtighten steering bolts. Make sure there is free movement in the steering rack.

:: Bag 2 - Step 1

91656
Bulkhead

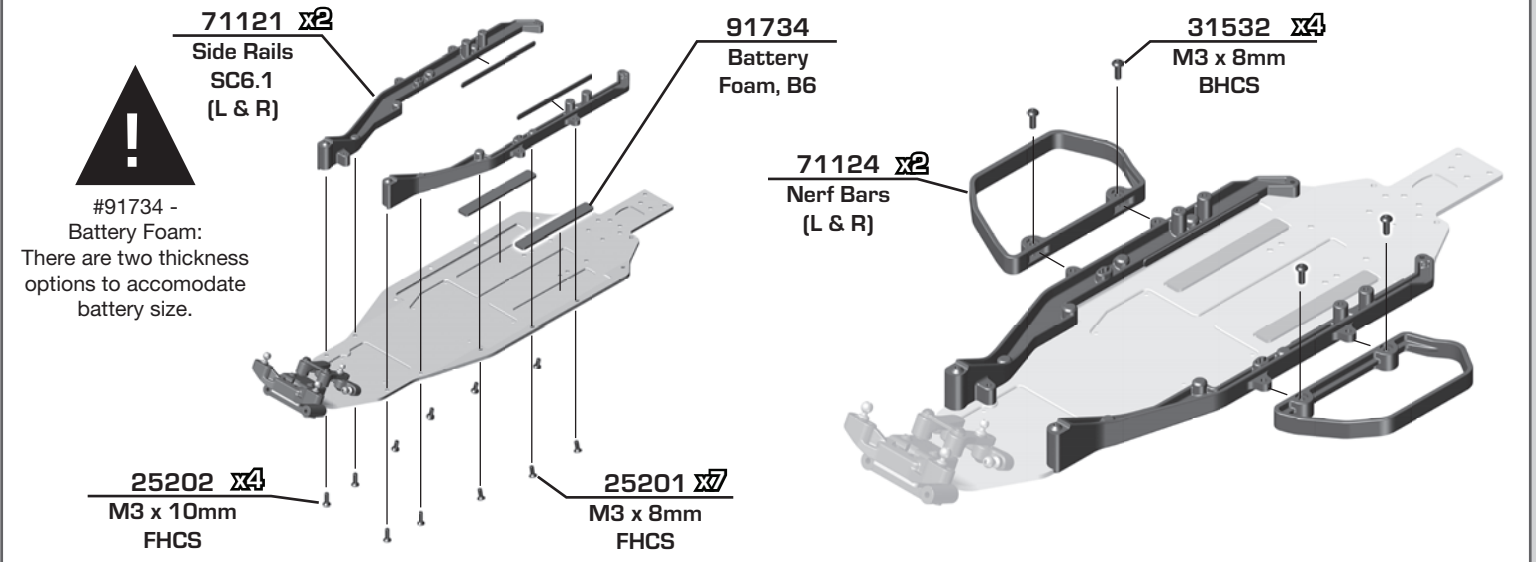
71120
Chassis, SC6.1

25204 x2
M3 x 16mm FHCS

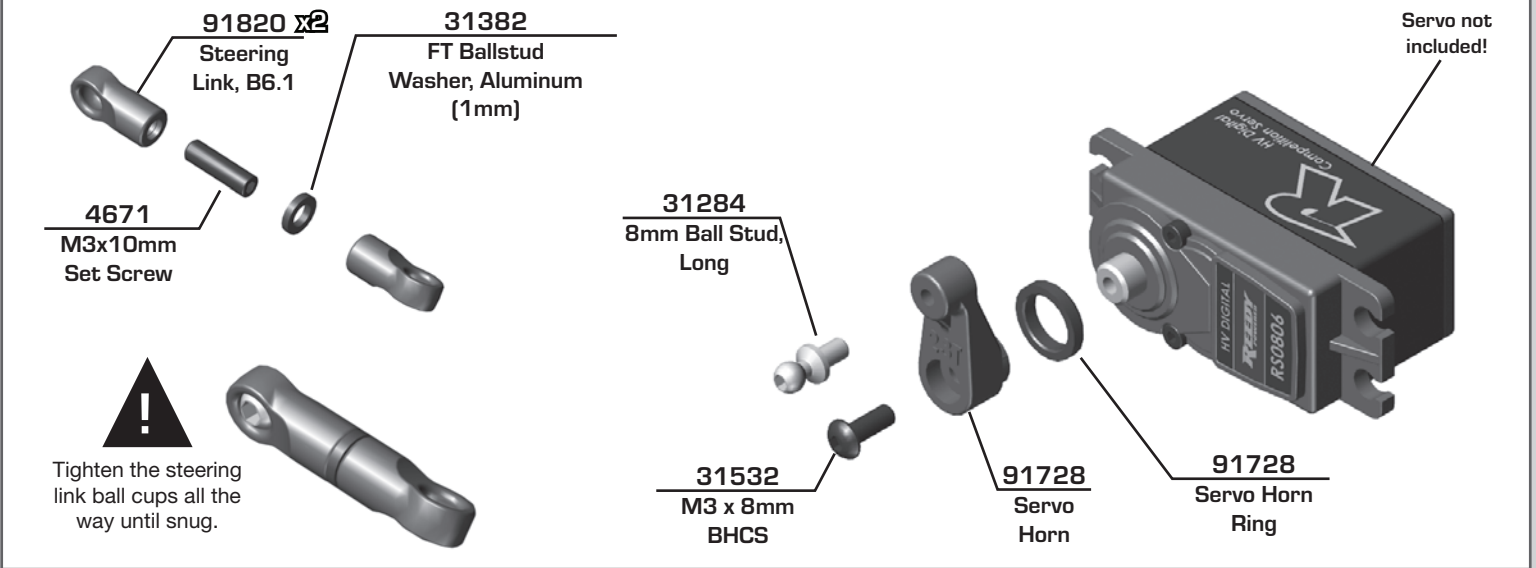
There are two bulkhead settings (25°, 30°). 25° is the standard used. The arrow should point forward for the desired setting.

25°
30°

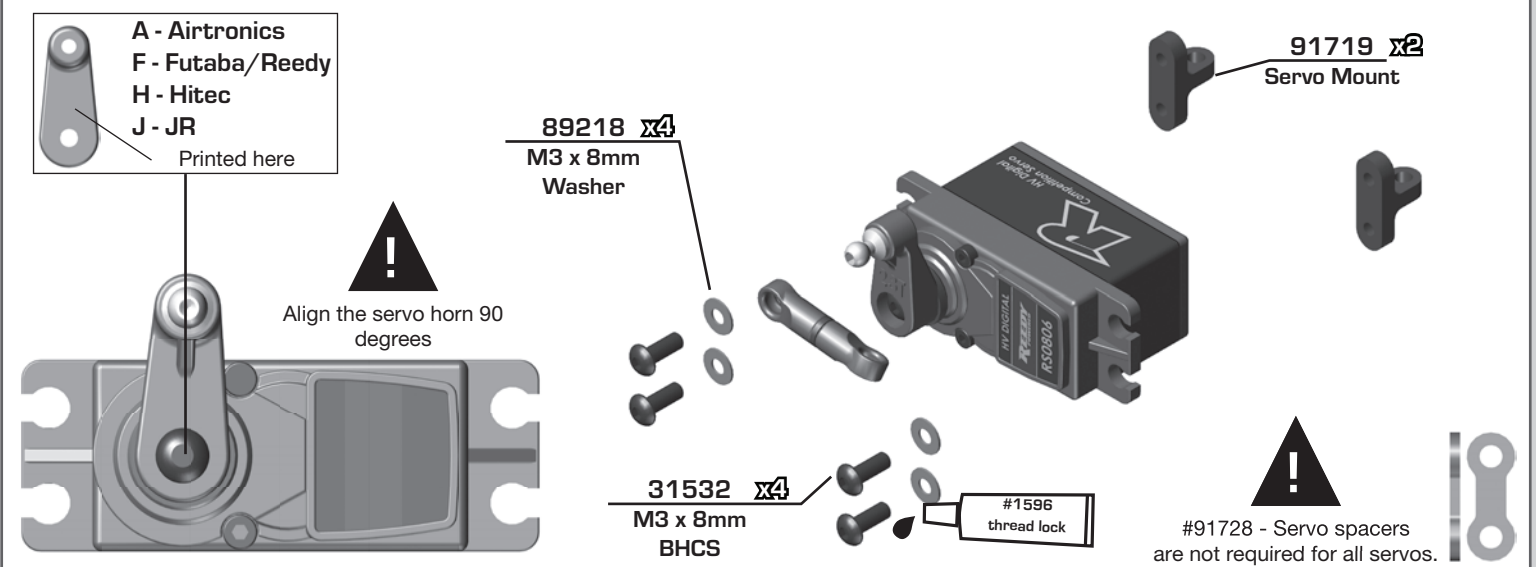
:: Bag 2 - Step 2



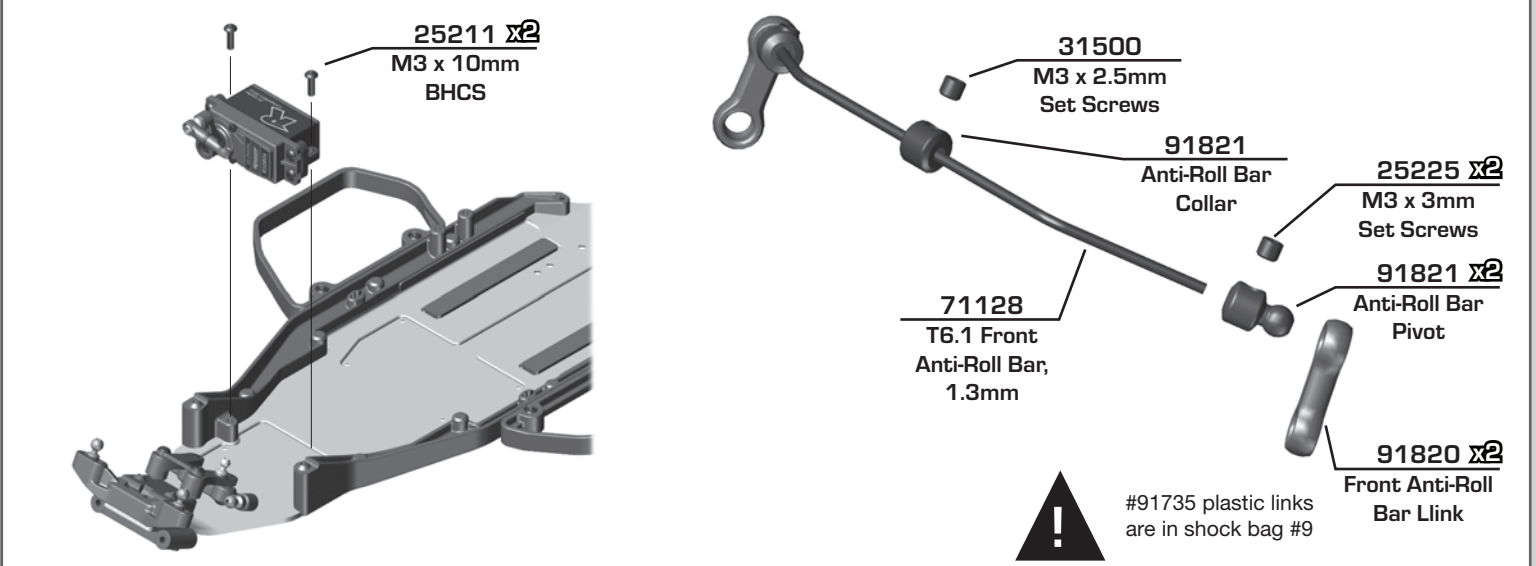
:: Bag 2 - Step 3



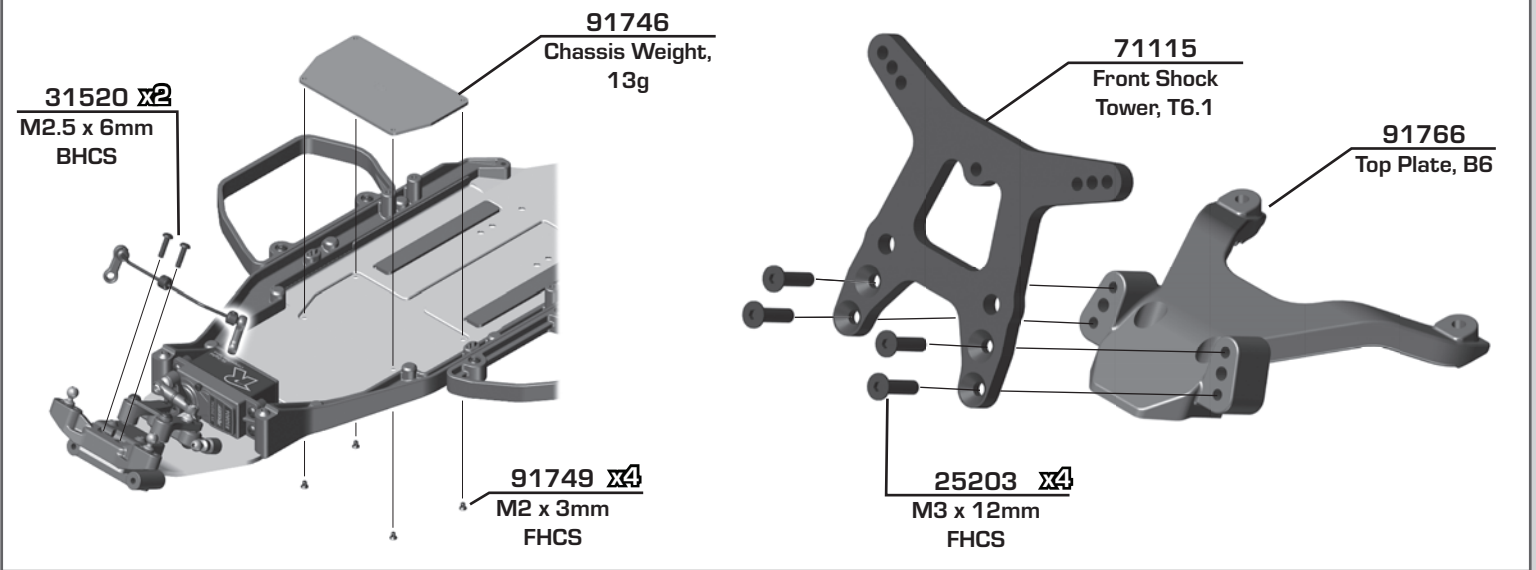
:: Bag 2 - Step 4



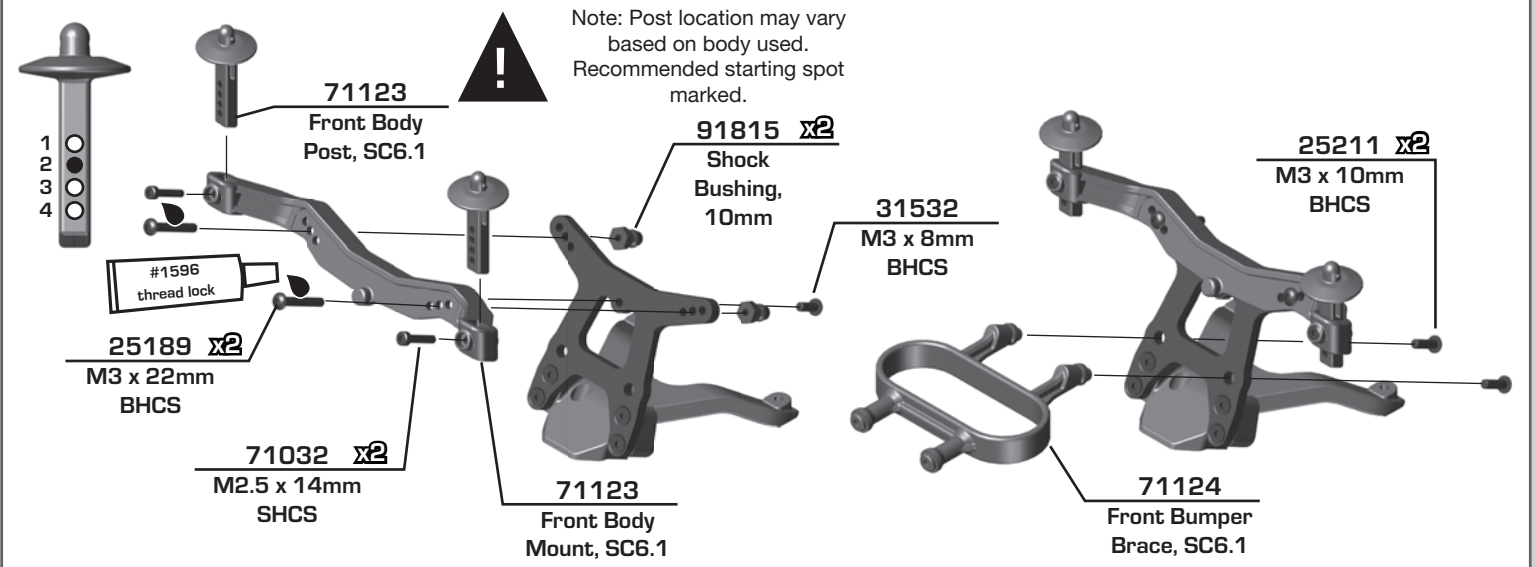
:: Bag 2 - Step 5



:: Bag 2 - Step 6



:: Bag 2 - Step 7



:: Bag 2 - Step 8

25187 x2
M3 x 14mm
BHCS

25211 x2
M3 x 10mm
BHCS

91657
Front Hinge Pin
Brace, B6

31510 x2
M2 x 4mm
BHCS

71103 x2
Front Arms,
T6.1 (L & R)

!
The front hinge pin brace has a sharp edged side, and a rounded edge side. Mount the sharp edge side towards the bulkhead.

:: Bag 2 - Step 9

71124
Front
Bumper, SC6.1

91670 x2
3x34mm
Hinge Pin

25225 x2
M3 x 3mm
Set Screw

25211 x2
M3 x 10mm
BHCS

25204 x2
M3 x 16mm
FHCS

:: Bag 3 - Step 1

31531
M3 x 6mm
BHCS

#1596
thread lock

91776
Steering
Block
(4mm)

91048
Heavy-duty
Ballstud,
8mm

91560 x2
5 x 10 x 4
Bearing

31382
FT Ballstud
Washer,
Aluminum
(1mm)

71144
+1 Steering
Block Arm,
Carbon Fiber

71111
Front Axle,
8.5mm

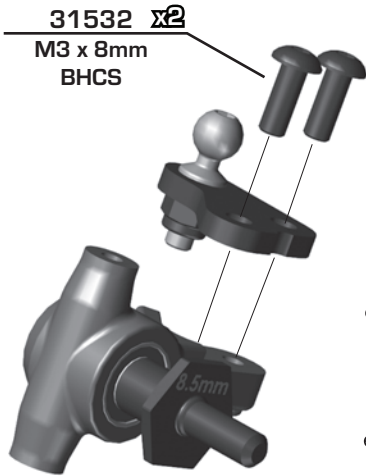
25215
M3 Locknut,
Black

4L

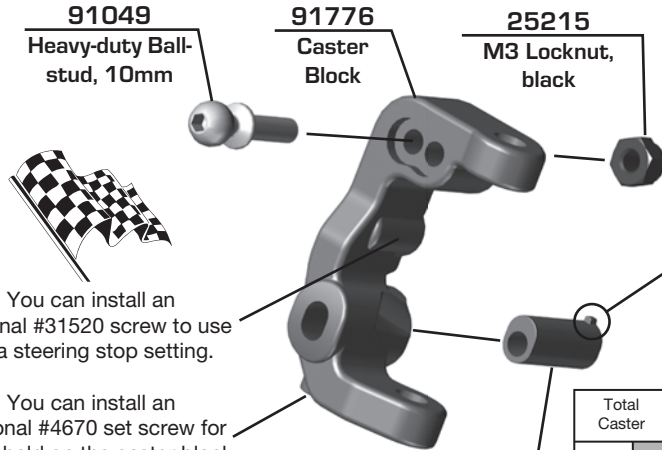
!
There are two sets of steering blocks included with your SC6.2: 3mm or 4mm trailing axle. The kit setups uses 4mm steering blocks.

Build 2 (1 left, 1 right)

:: Bag 3 - Step 2



Build 2 (1 left, 1 right)



You can install an optional #31520 screw to use as a steering stop setting.

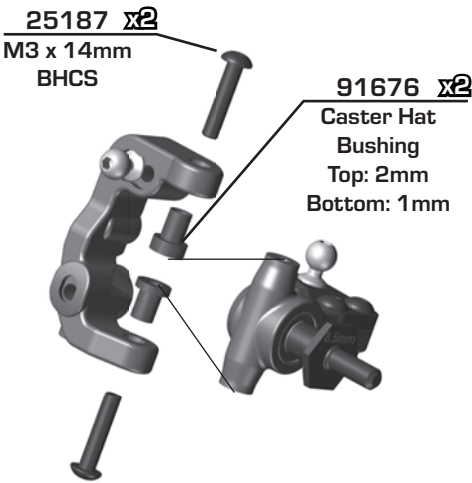
You can install an optional #4670 set screw for extra hold on the caster block inserts and hinge pin.

91776 Caster Block Insert (+5°)

!
There are three caster block inserts included (0°, +/- 2.5°, +/- 5°). +5° is the standard insert used.
Tab up = positive caster
Tab down = negative caster

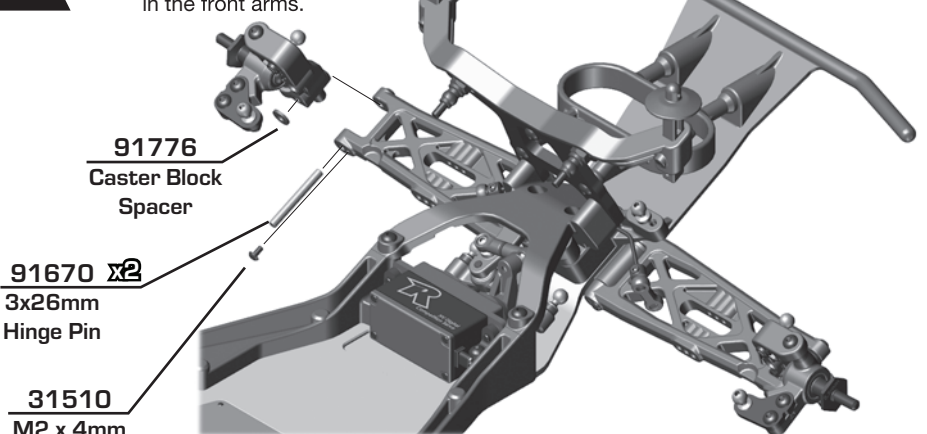
Total Caster		Caster Block Insert				
		0	2.5 up	2.5 down	5 up	5 down
Bulkhead Orientation	25°	25°	27.5°	22.5°	30°	20°
	30°	30°	32.5°	27.5°	35°	25°

:: Bag 3 - Step 3



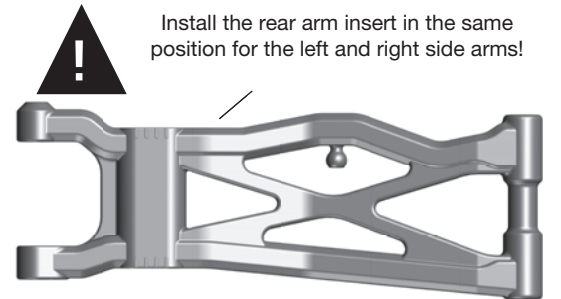
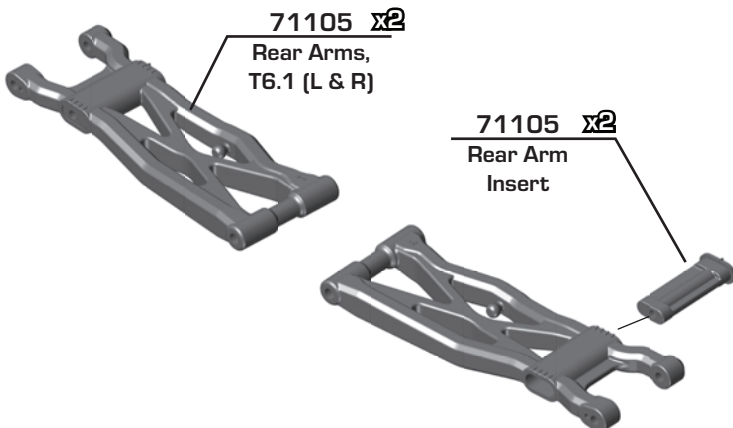
Build 2 (1 left, 1 right)

!
#91670 - Hinge Pin will be tight in the caster blocks, but should rotate freely in the front arms.

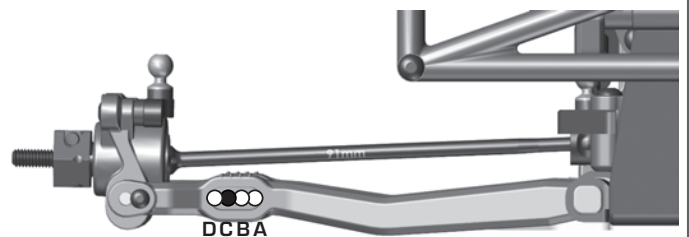


Build 2 (1 left, 1 right)

:: Bag 4 - Step 1



!
Install the rear arm insert in the same position for the left and right side arms!



DCBA

:: Bag 4 - Step 2

91772
Aluminum Arm Mount, C

92014 x2
Arm Mount Inserts (Center)

#1596
thread lock

31541 x2
M3 x 6mm FHCS

C Plate Center

D Plate Center

92014 x2
Arm Mount Inserts (Center)

91688
Aluminum Arm Mount, D

91670
3.5x47.5mm Hinge Pin

!
See page 20 for pill insert setup tips!

:: Bag 5 - Step 1

#6591
diff lube

6581 x14
3/32 carbide diff balls

91419
Diff Gear, 52T

7666
Diff Drive Ring

91701
Ball Diff Outdrive

!
Build Tip:
The bottom side of the gear has 3 injection dots. This side faced down will keep the diff balls from falling thru the holes.

#6591
diff lube

#6591
diff lube

:: Bag 5 - Step 2

6573 x2
Diff thrust washer

#6588
black grease

6574 x6
5/64 diff thrust balls

6573
Diff thrust bolt

31400
5 x 8 x 2.5mm, Bearing

31400
5 x 8 x 2.5mm, Bearing

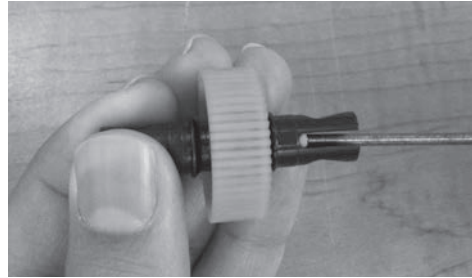
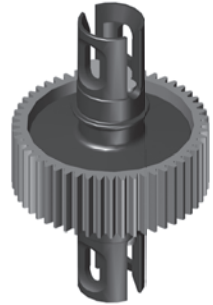
!
Build Tip:
Install the first washer and grease, then lineup the 6 balls in your palm or on a lint free towel and touch/spin to "roll" them onto the washer.

!
Build Tip:
Do this entire step with the diff screw on the end of your wrench for better control.

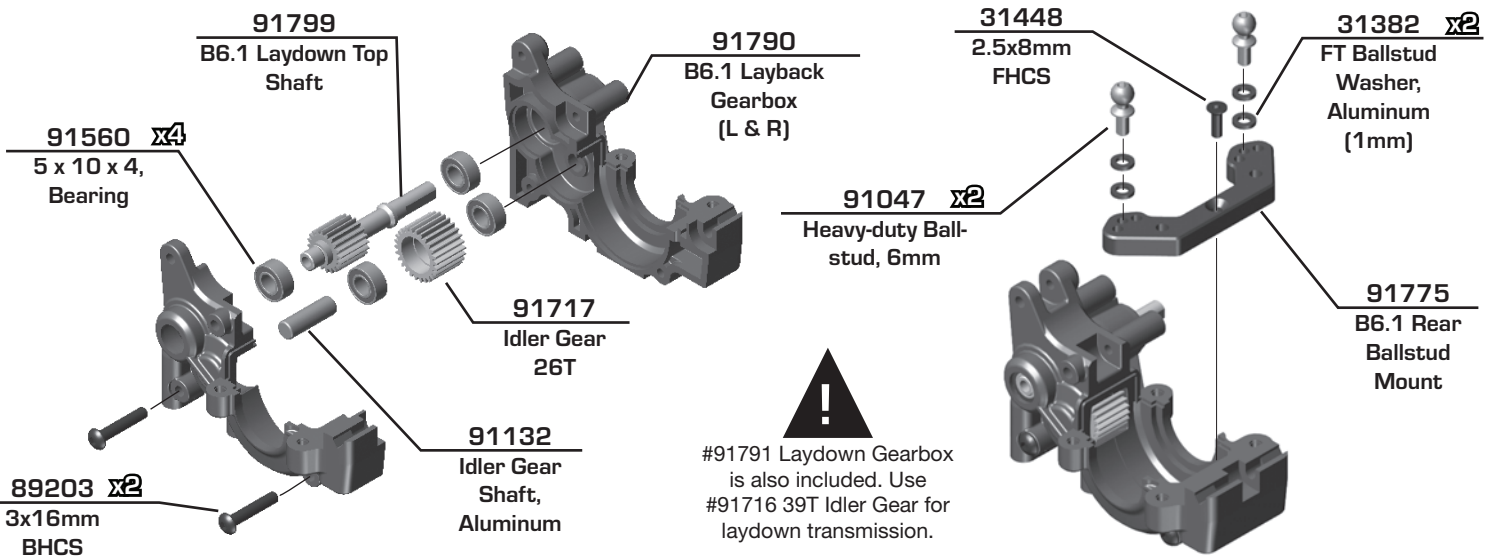
:: Bag 5 - Step 3



As you tighten the diff bolt, you will notice the T-nut ears moving closer to the bottom of the outdrive slot. This compresses the spring behind the T-nut. The spring should be completely compressed at the time the T-nut reaches the end of the slot. Caution! Pay close attention to the feeling when the spring is completely compressed. Do not overtighten the bolt. When you feel the spring completely compressed, loosen the diff bolt 1/8" of a turn. Your diff should now operate smoothly but with resistance as the outdrives move in opposite directions. After you have driven the car once, re-check the diff setting.

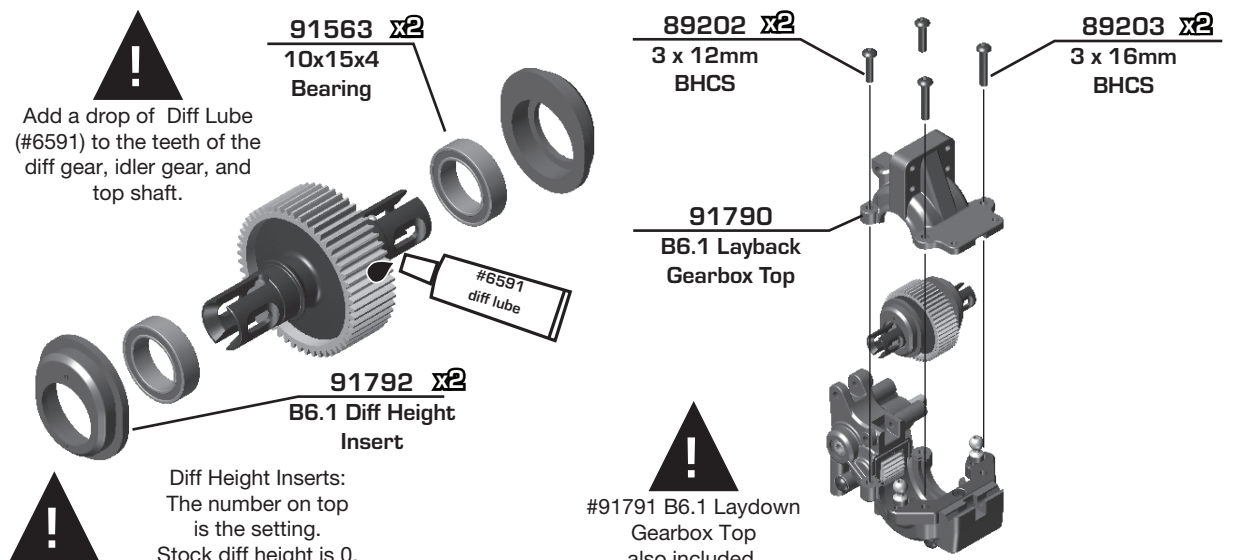


:: Bag 6 - Step 1

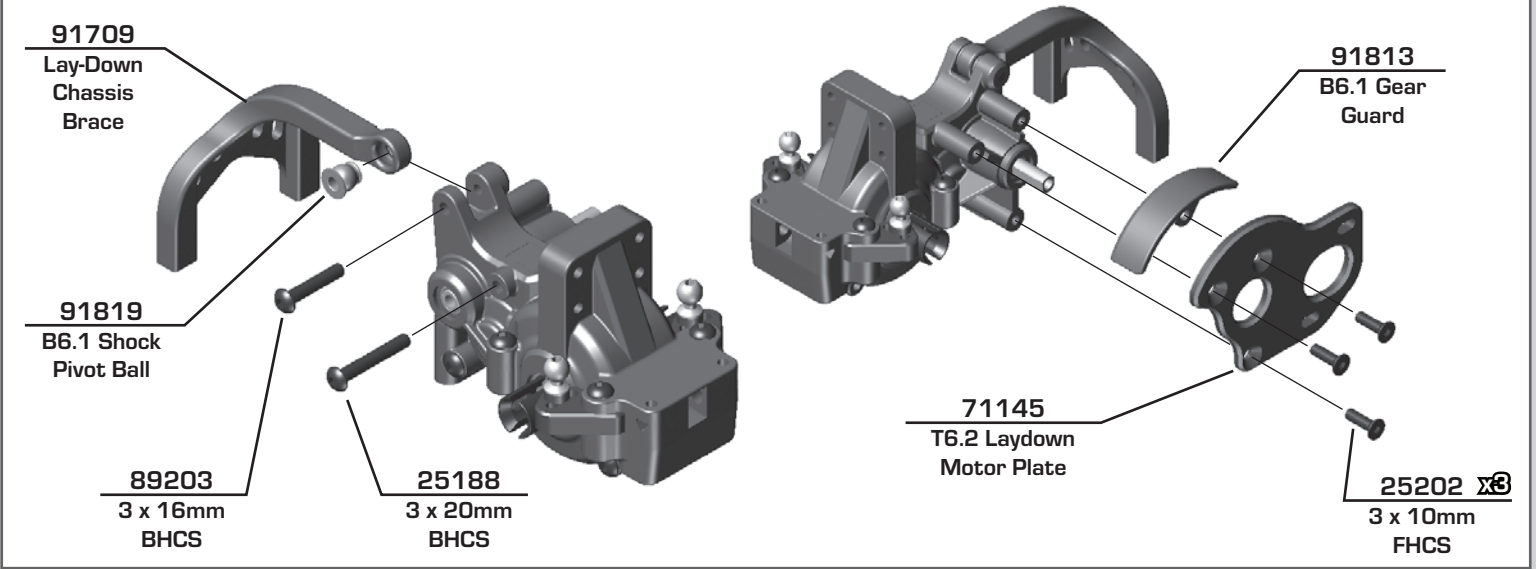


:: Bag 6 - Step 2

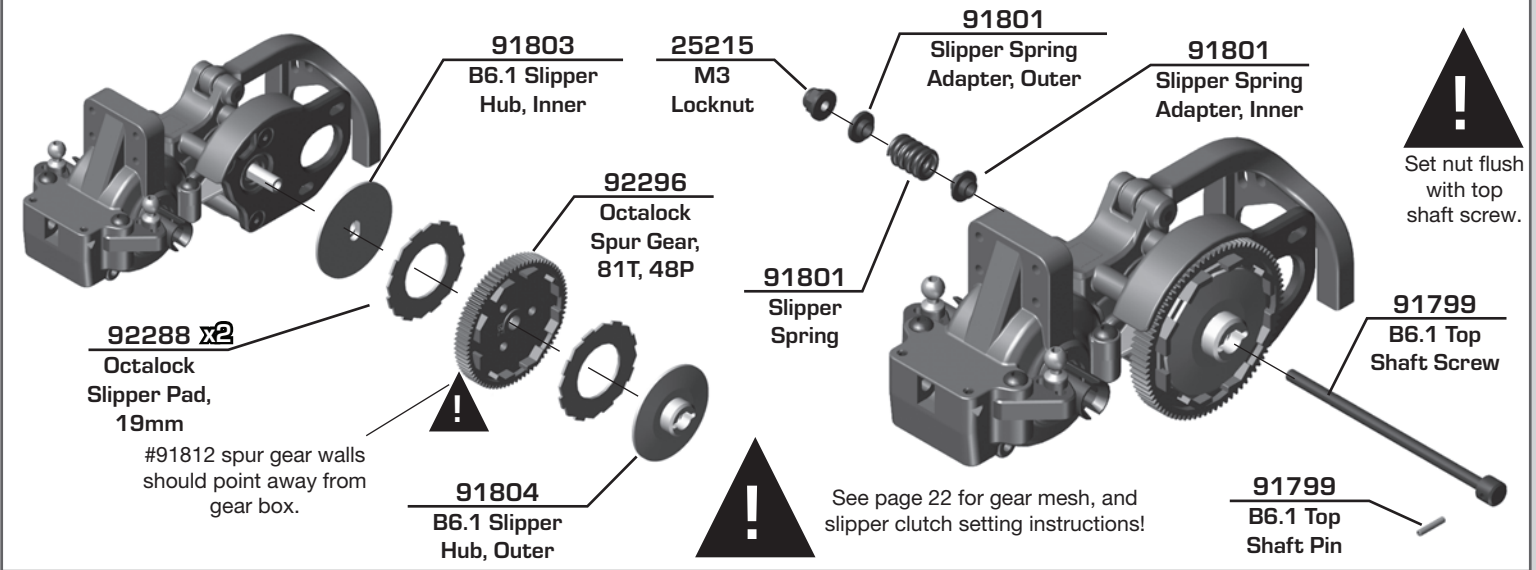
Diff Height	
	3
	2
	1
	0 Kit Setup



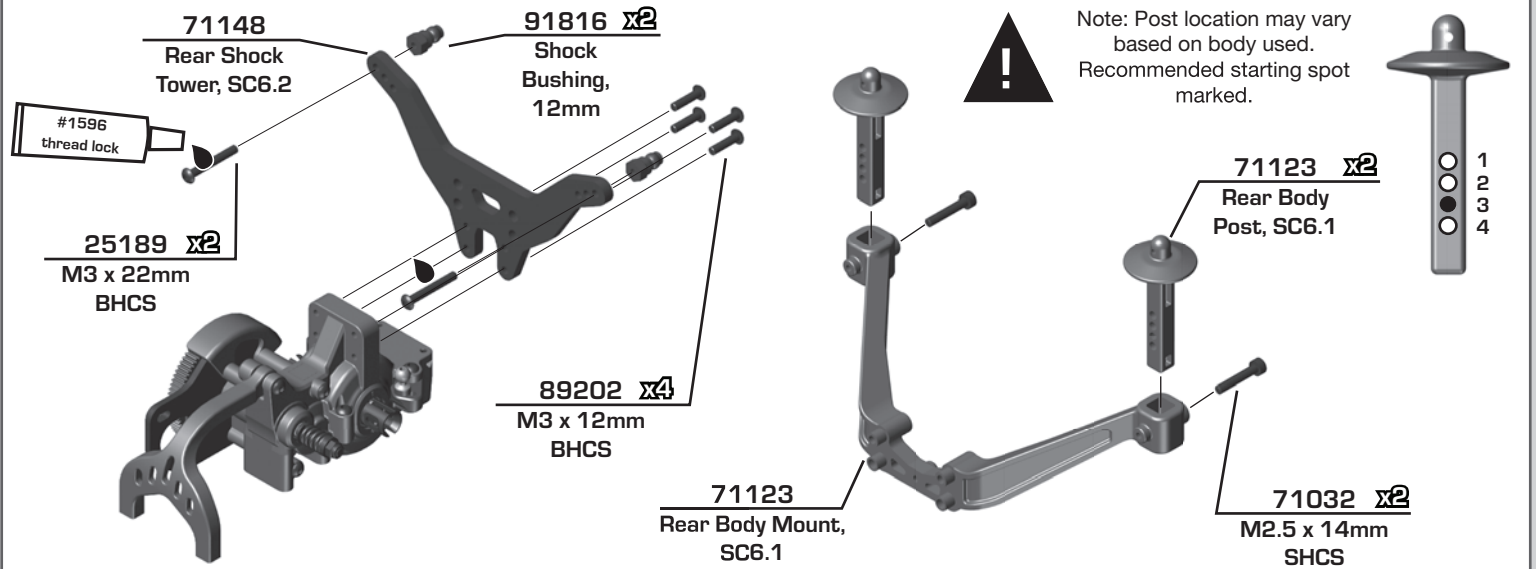
:: Bag 6 - Step 3



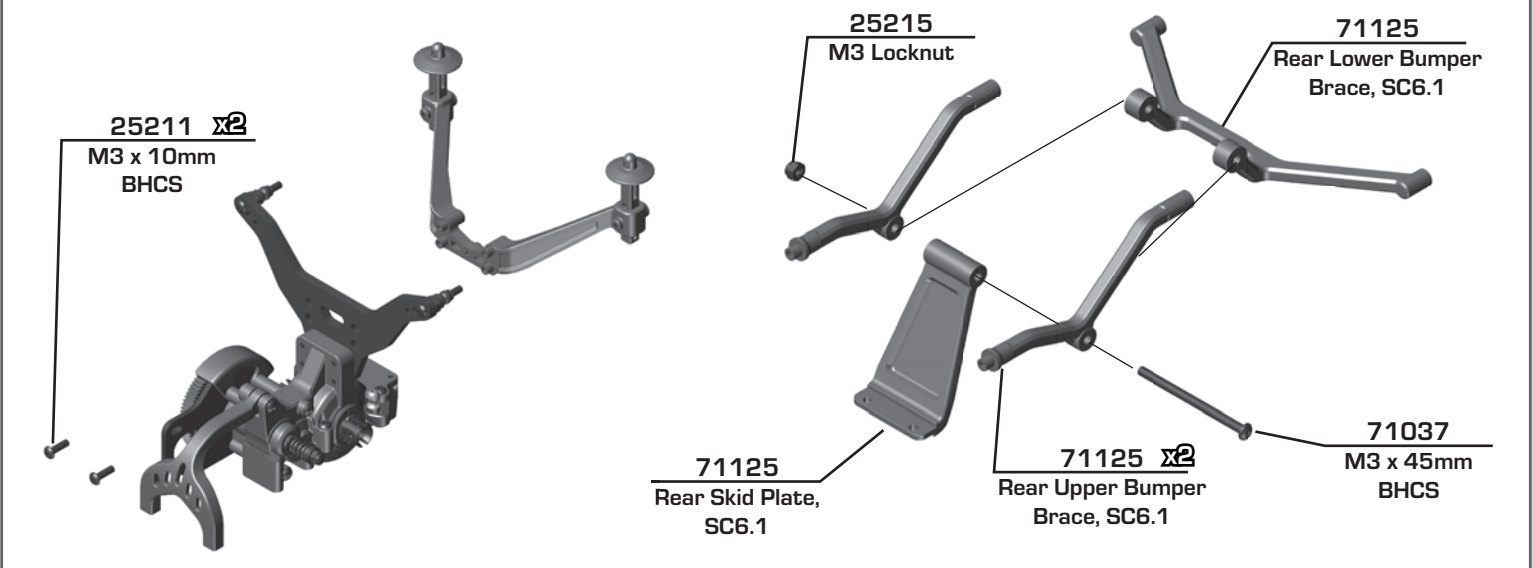
:: Bag 6 - Step 4



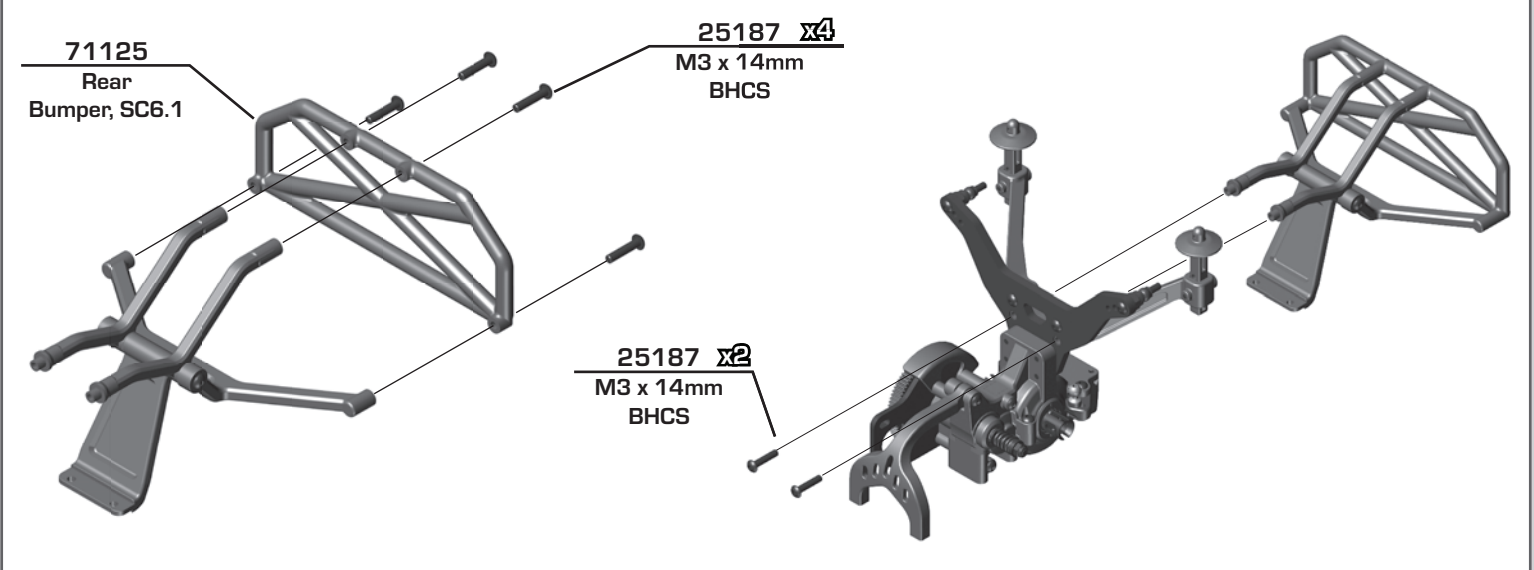
:: Bag 6 - Step 5



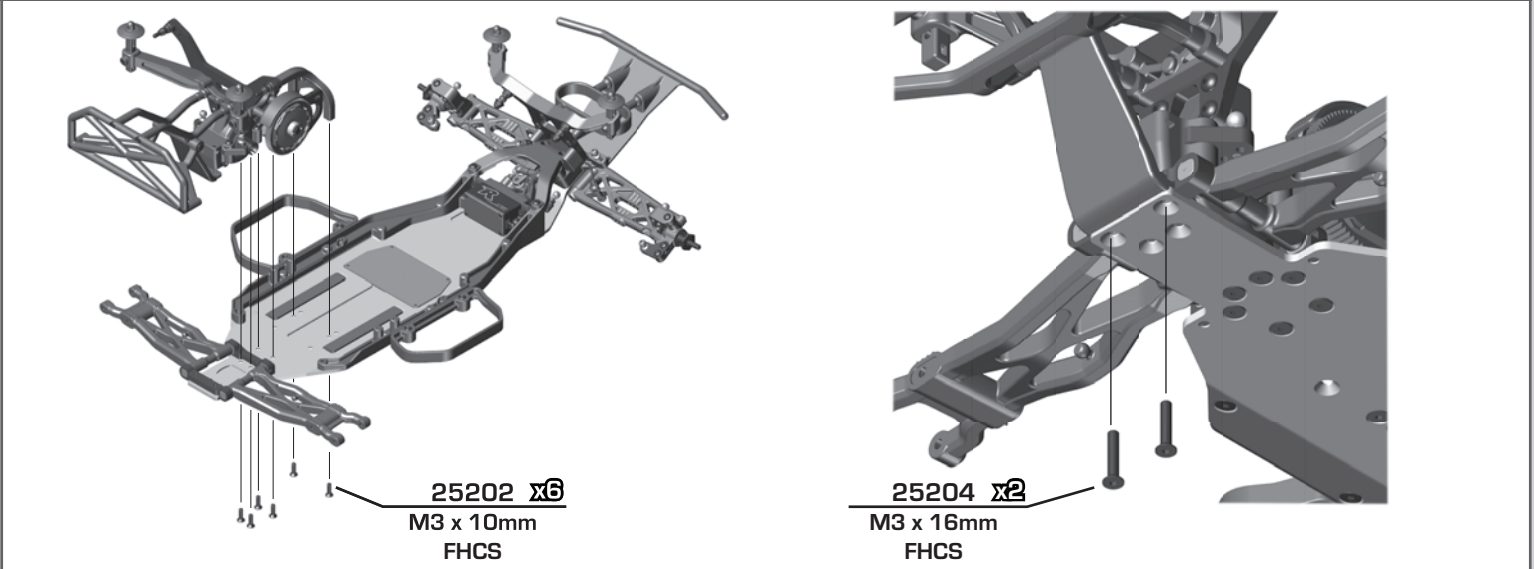
:: Bag 6 - Step 6



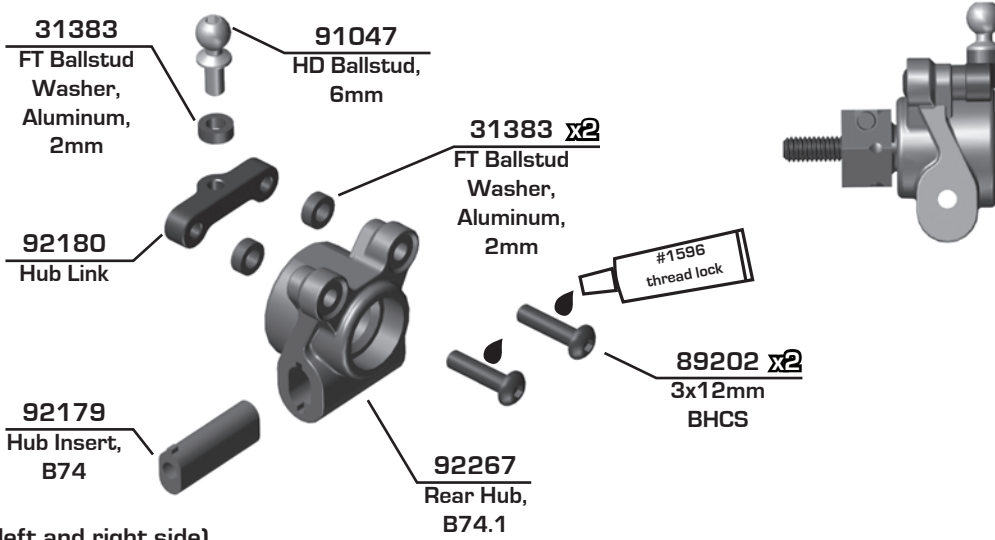
:: Bag 6 - Step 7



:: Bag 6 - Step 8



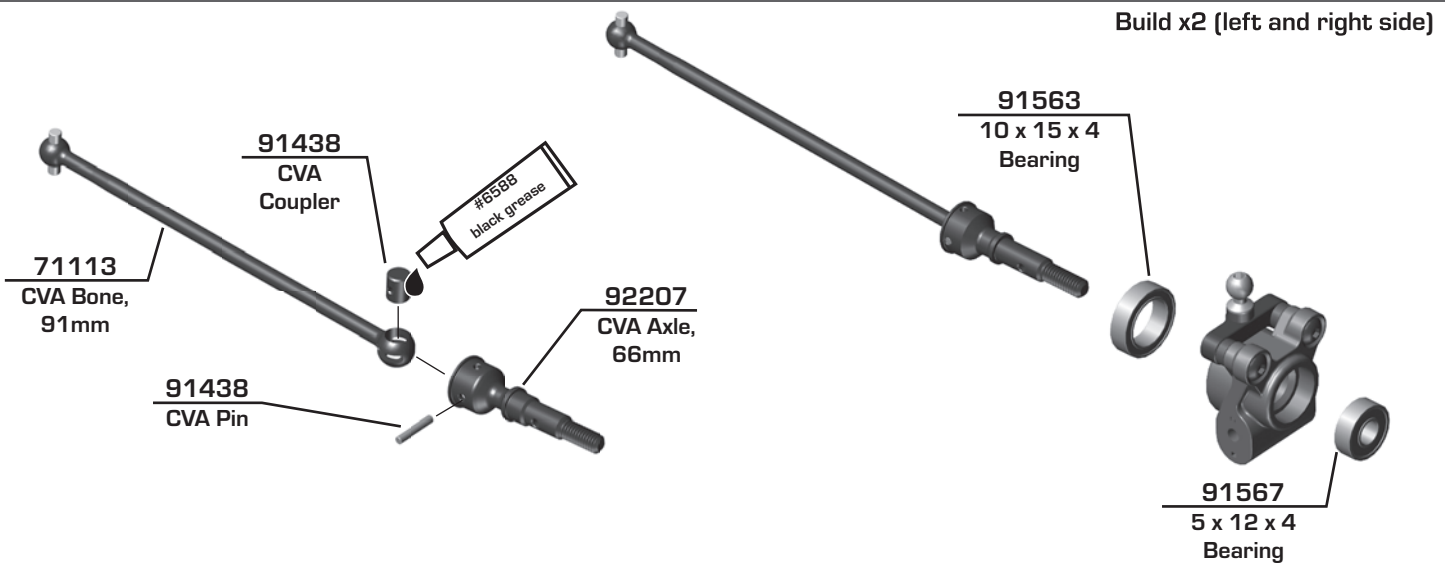
Bag 7 - Step 1



Rear Axle Height			
	↓ 0	↑ 3	+3mm
	↓ 1	↑ 2	+2mm
	↑ 1	↓ 2	+1mm
	↑ 0	↓ 3	+0mm

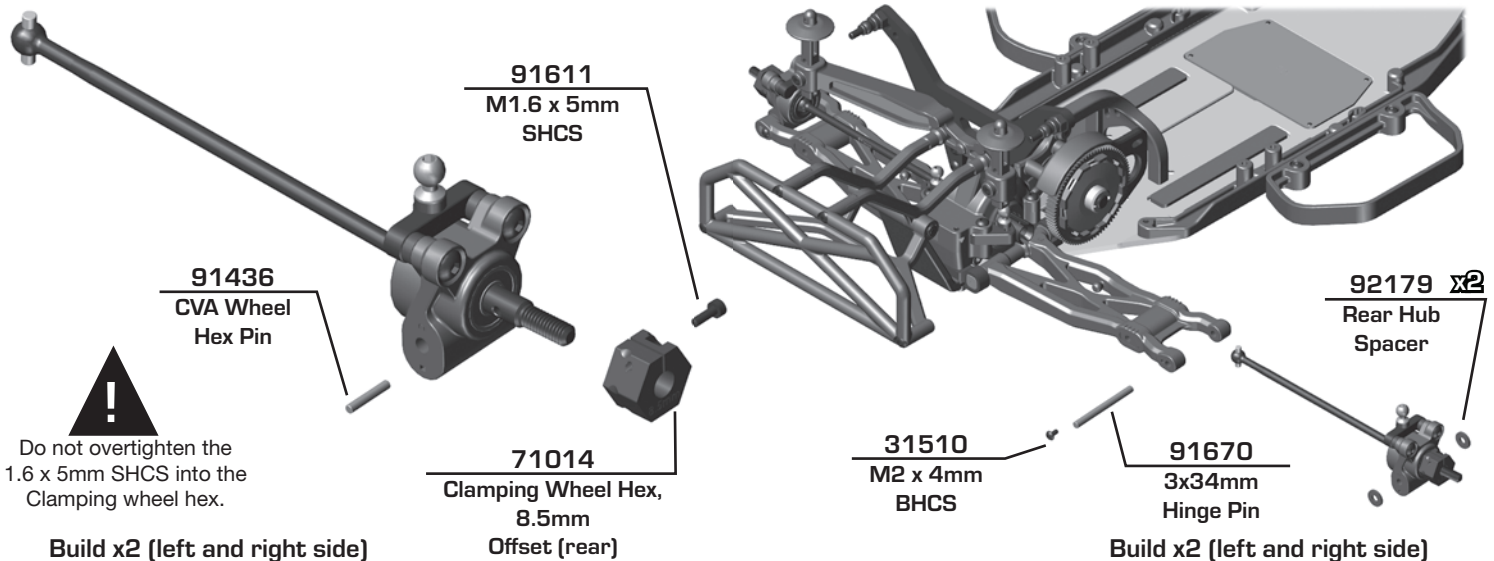
Build x2 (left and right side)

Bag 7 - Step 2



Build x2 (left and right side)

Bag 7 - Step 3

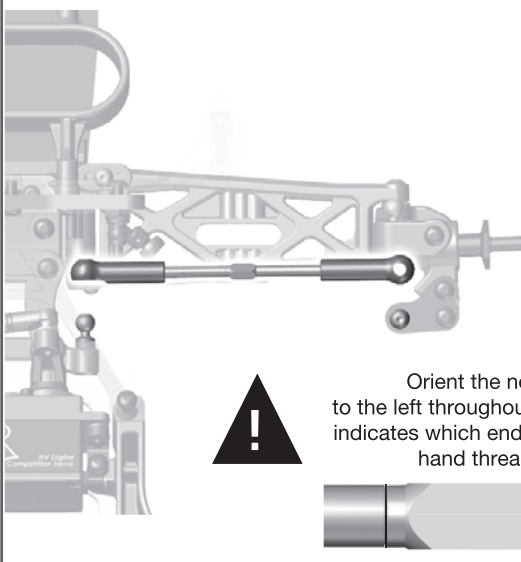


!
Do not overtighten the 1.6 x 5mm SHCS into the Clamping wheel hex.

Build x2 (left and right side)

Build x2 (left and right side)

:: Bag 8 - Step 1



91722
Ball Cup

7253
Turnbuckle
3x67mm

91722
Ball Cup

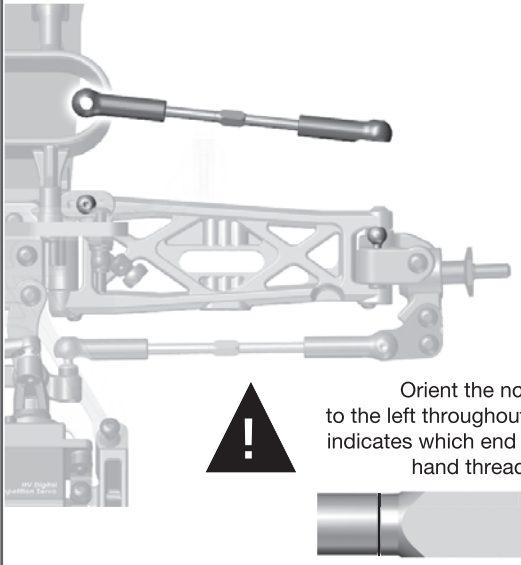
Steering Turnbuckle
42.00mm

Build x2 (left and right side)

! Orient the notch to the left throughout the car. It indicates which end has the left hand threads!

Racers Tip:
Use black grease (#6588) on the threads of the turnbuckles for easier ball cup installation!

:: Bag 8 - Step 2



91722
Ball Cup

9175
Turnbuckle
3x58mm

91722
Ball Cup

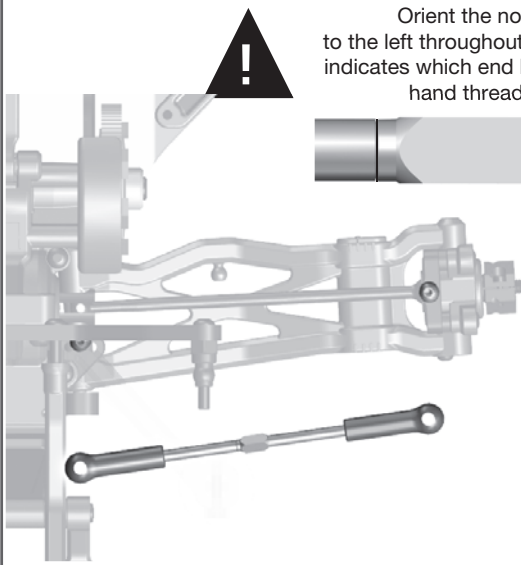
Front Camber Turnbuckle
36.50mm

Build x2 (left and right side)

! Orient the notch to the left throughout the car. It indicates which end has the left hand threads!

Racers Tip:
Use black grease (#6588) on the threads of the turnbuckles for easier ball cup installation!

:: Bag 8 - Step 3



! Orient the notch to the left throughout the car. It indicates which end has the left hand threads!

91722
Ball Cup

7253
Turnbuckle
3x67mm

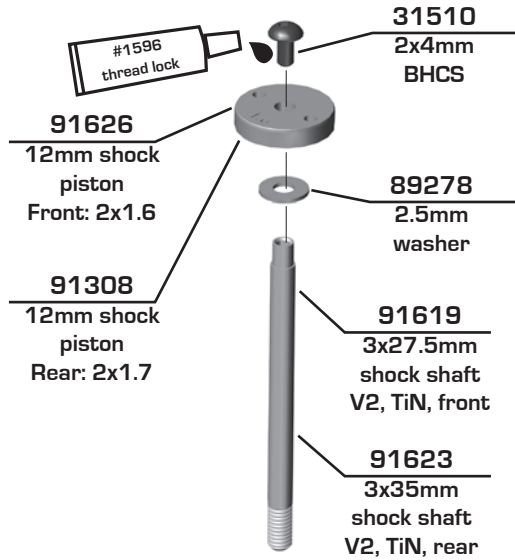
91722
Ball Cup

Rear Camber Turnbuckle
47.00mm

Build x2 (left and right side)

Racers Tip:
Use black grease (#6588) on the threads of the turnbuckles for easier ball cup installation!

:: Bag 9 - Step 1



!
Mount the shock pistons with the number facing up!



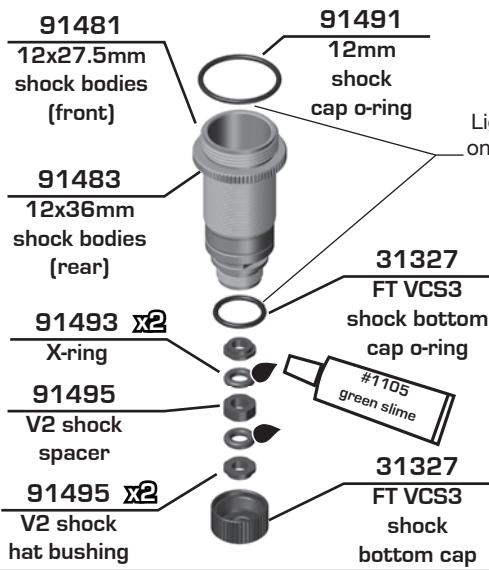
Racers Tip:

Use a marker over the numbers on the pistons to make them easily visible!



4187
Nylon Spacer, (.030)
Front: 2 spacers internal
Rear: 1 spacers internal

:: Bag 9 - Step 2

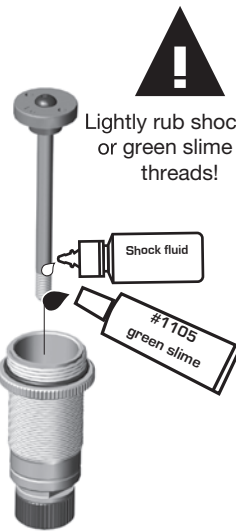


!
Lightly rub shock oil on the o-rings before installation!



Racers Tip:

Coating the o-rings with green slime (#1105) helps seal & reduce o-ring swell! Green slime not included in kit!

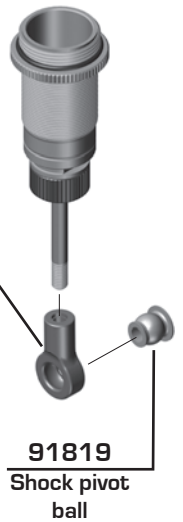


! **!**
Lightly rub shock oil or green slime on threads!

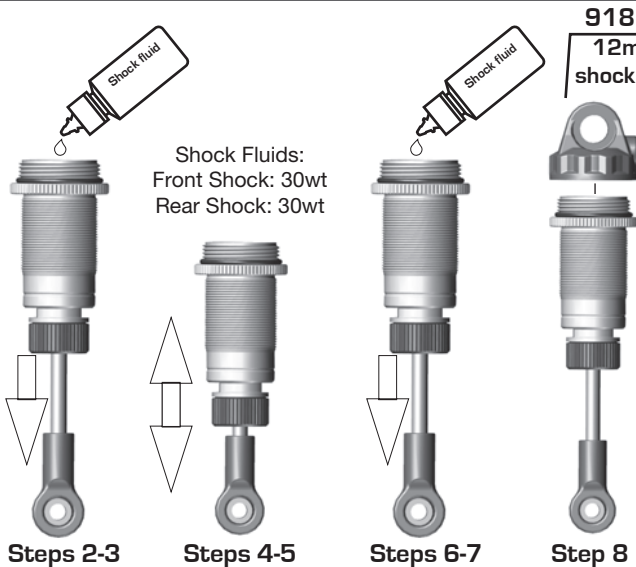
91721 Shock eyelet
Front: long
Rear: long

Short / Long (+2mm)

There is a short and long (+2mm) shock eyelet. Front shocks use the long (+2mm) eyelet. Rear shocks use the short eyelet.

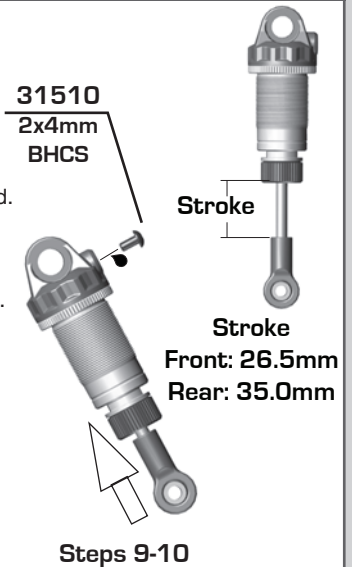


:: Bag 9 - Step 3



91814 Shock Bleeding Steps:

1. Before assembly, get each bleed screw and thread it 1-2 turns into the shock cap, then remove the screw. This will make it easier when you are bleeding your shocks.
2. Pull shock shaft down.
3. Fill shock body 3/4 full with silicone shock fluid.
4. Slowly move the shock shaft up and down to remove air from under the piston.
5. Wait for bubbles to come to surface.
6. Fill shock body to top with silicone shock fluid.
7. Place a drop of oil in the cap and on cap threads.
8. Install cap (without bleed screw) and tighten completely.
9. Slowly compress shaft all the way to bleed excess silicone shock fluid out the hole in the cap (use rag around shock to catch excess fluid).
10. Install M2x4mm button head screw until snug while shaft is fully compressed.



31510
2x4mm
BHCS

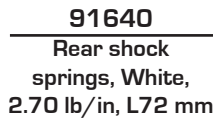
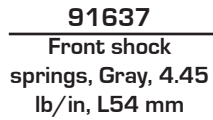
Stroke
Stroke
Front: 26.5mm
Rear: 35.0mm

:: Bag 9 - Step 4



Racers Tip:

Use your finger to rub shock oil on the o-ring for smoother adjustment!



Front: 1mm
Rear: 1.5mm

#91814 12mm Shock Spring Cups
0mm 5mm 9mm



91814
12mm shock spring cup
Front: 5mm
Rear: 5mm

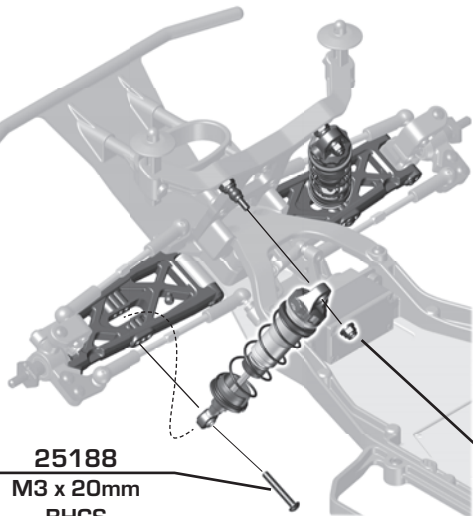
Build x4

Build x2 front and x2 rear shocks

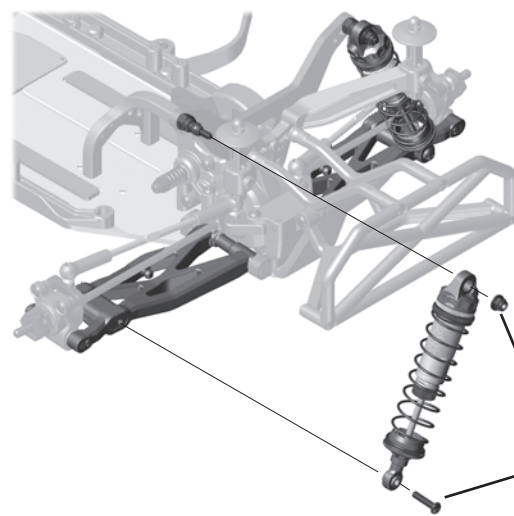
:: Bag 10 - Step 1



Use outside hole in front arm!



Build x2 (right and left side)

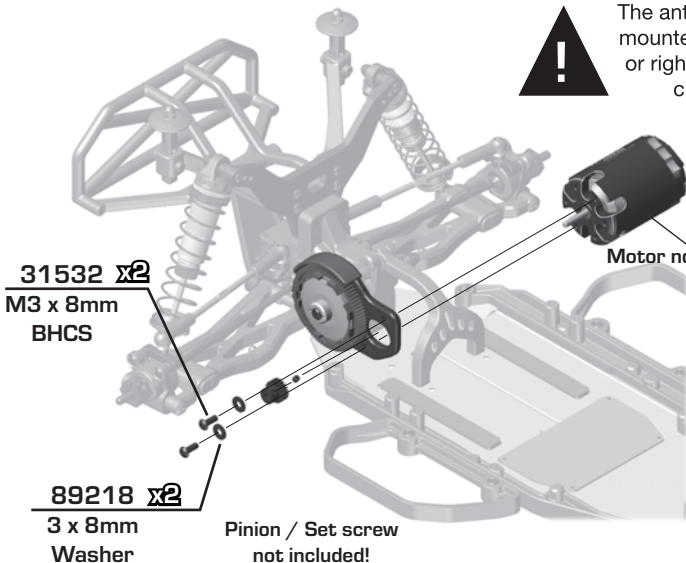


Build x2 (right and left side)

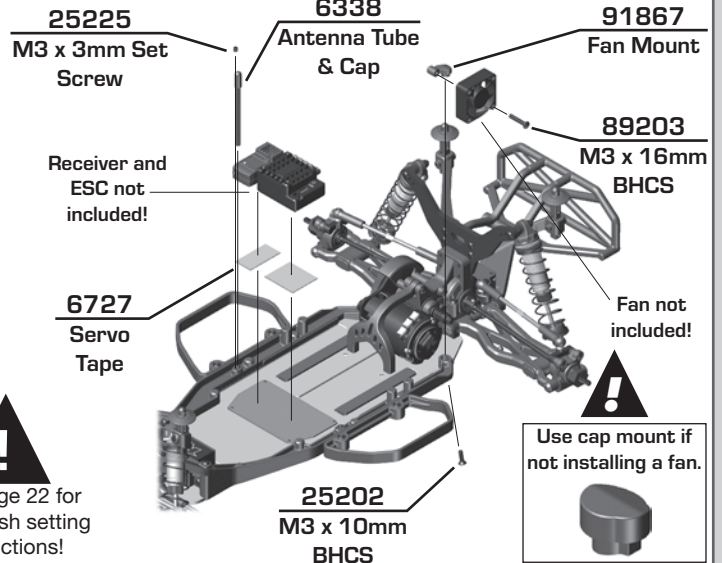
:: Bag 10 - Step 2



The antenna can be mounted on the left or right side of the chassis.



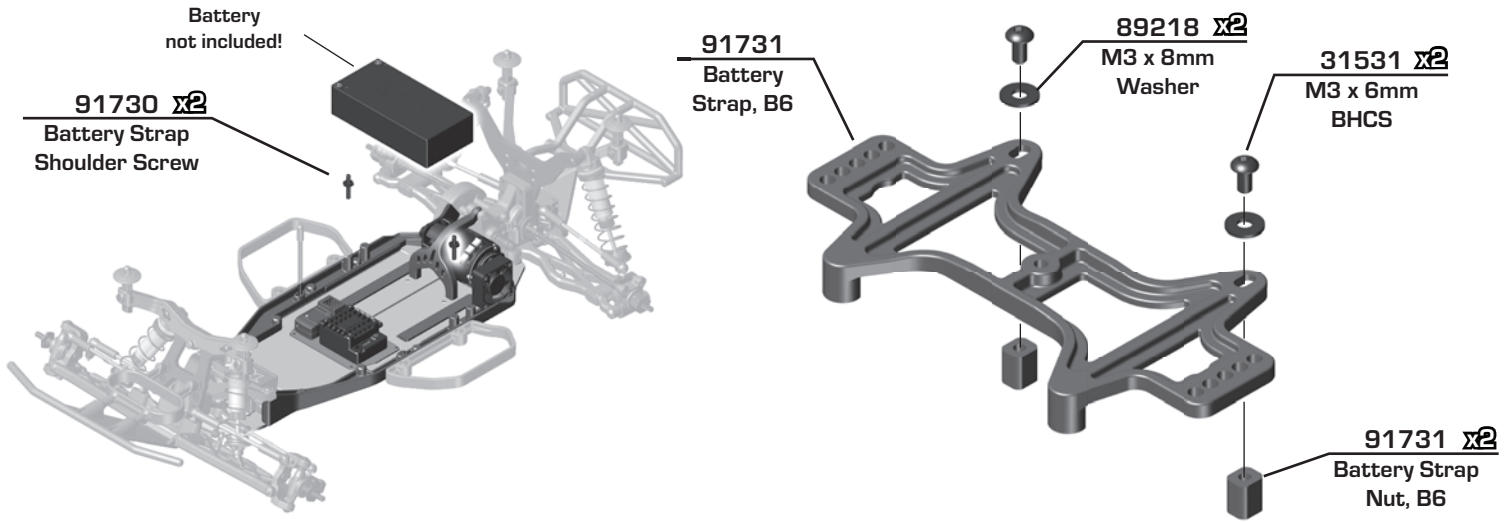
See page 22 for gear mesh setting instructions!



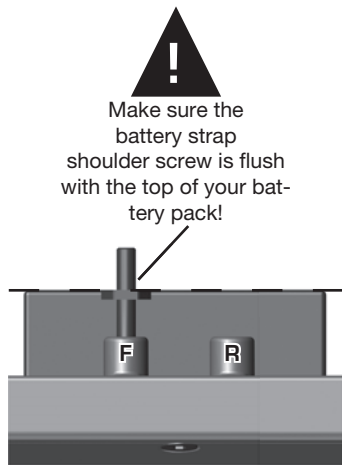
Use cap mount if not installing a fan.



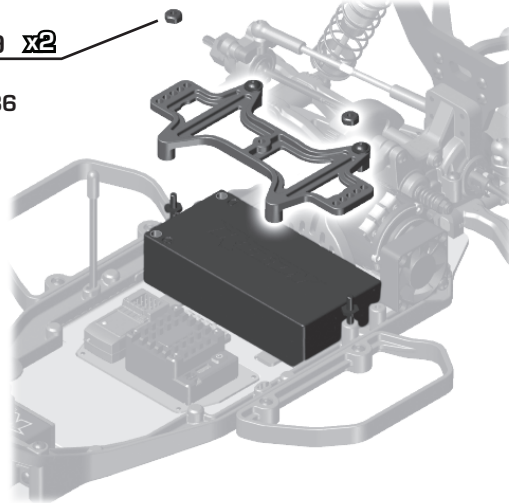
:: Bag 10 - Step 3



:: Bag 10 - Step 4

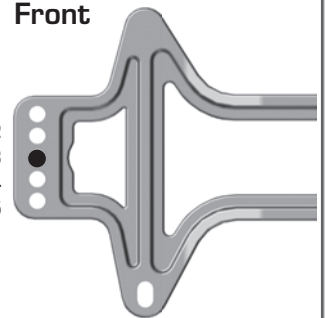


91729 x2
Thumb
Screw, B6

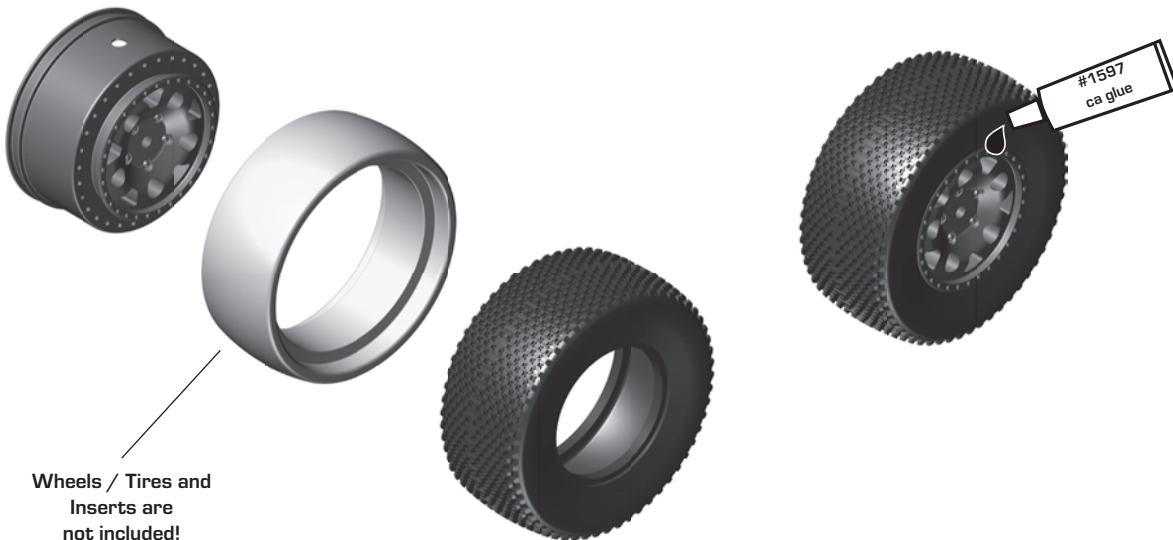


Front

- 1
- 2
- 3
- 4
- 5



:: Bag 10 - Step 3



! Carefully apply ca glue (tire adhesive) to the tire bead on the side. Do one side at a time, allowing it to dry before gluing the other side!
CA glue not included!

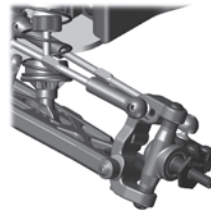
Build x4

:: Bag 10 - Step 6



91150
M4 LP Flanged
Serrated Nut,
Steel

Build 2 (1 left, 1 right)



91150
M4 LP Flanged
Serrated Nut,
Steel

Build 2 (1 left, 1 right)

:: Rear Shock Mounting Option - Step 1



Use this setup to mount shocks on front of the rear arm. Suggested for high grip conditions.

Shocks mounted on the front of the rear arm increases forward weight bias.

- Less rear grip
- More / faster corner rotation



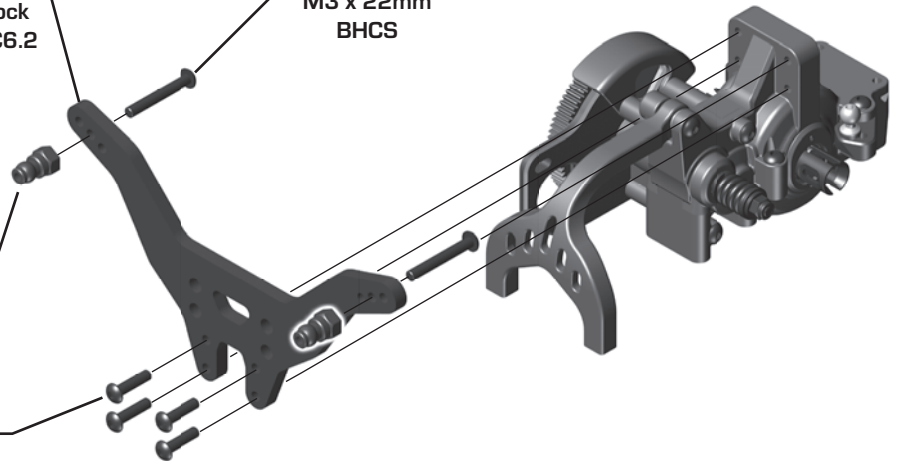
The screws are included in this kit!

71148
Rear Shock
Tower, SC6.2

25189 x2
M3 x 22mm
BHCS

91816 x2
Shock
Bushing,
12mm

89202 x4
M3 x 12mm
BHCS



:: Rear Shock Mounting Option - Step 2

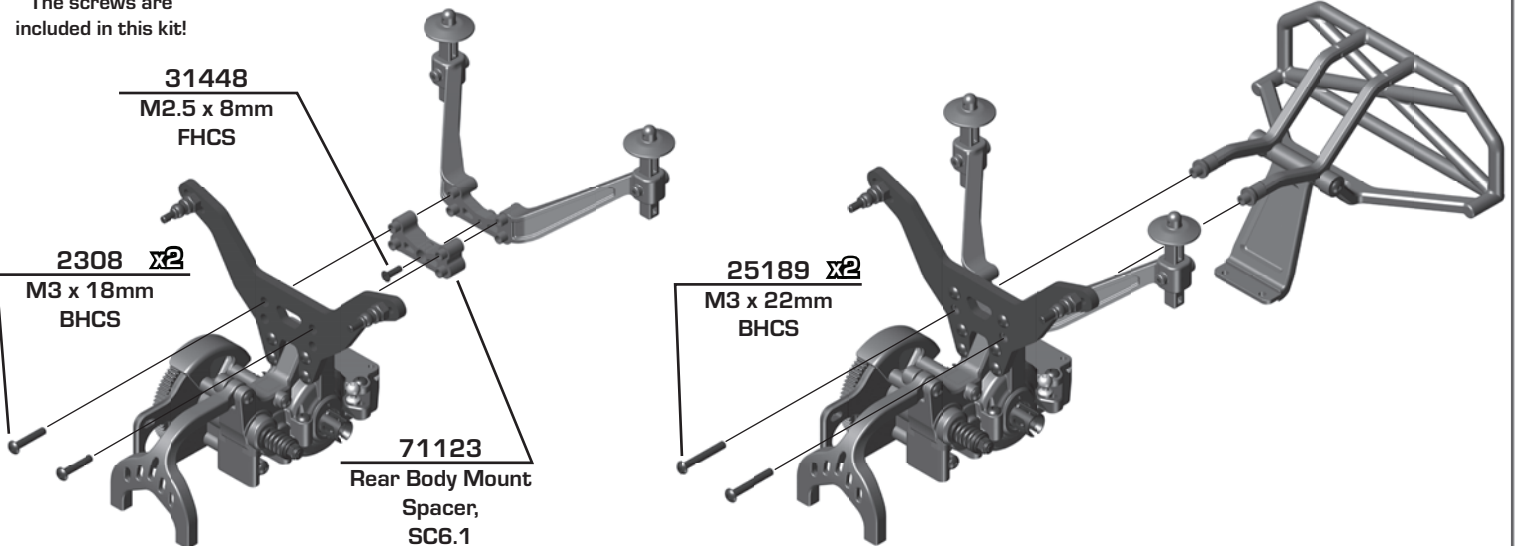
The screws are included in this kit!

31448
M2.5 x 8mm
FHCS

2308 x2
M3 x 18mm
BHCS

25189 x2
M3 x 22mm
BHCS

71123
Rear Body Mount
Spacer,
SC6.1



:: Tuning Tips - Painting, Beginners

Painting:

Your Kit requires a clear polycarbonate body. You will need to prep the body before you can paint it.

Wash the **INSIDE** thoroughly with warm water and liquid detergent (do not use any detergents with scents or added hand lotion ingredients!). Dry the body using a clean, soft, lint-free cloth. Use the supplied window masks to cover the windows from the **INSIDE** of the body (RC bodies get painted on the inside). Using high quality masking tape, apply tape to the inside of the body to create a design. Spray (use either rattle can or airbrush) the paint on the inside of the body (preferably dark colors first, lighter colors last). **NOTE: ONLY** use paint that is recommended for (polycarbonate) plastics. If you do not, you can destroy the body! After the paint has completely dried (usually after 24 hours), cut the body along the trim lines. Make sure to drill or use a body reamer to make the holes for the antenna if needed! Use hook and loop tape to secure the body to the side rails of the vehicle.

Tips for Beginners:

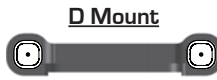
Before making any changes to the standard setup, make sure you can get around the track without crashing. Changes to your vehicle will not be beneficial if you can't stay on the track. Your goal is consistent laps. Once you can get around the track consistently, start tuning your vehicle. Make only **ONE** adjustment at a time, testing it before making another change. If the result of your adjustment is a faster lap, mark the change on the included setup sheet (make additional copies of the sheet before writing on it). If your adjustment results in a slower lap, revert back to the previous setup and try another change. When you are satisfied with your vehicle, fill in the setup sheet thoroughly and file it away. Use this as a guide for future track days or conditions. Periodically check all moving suspension parts. Suspension components must be kept clean and move freely without binding to prevent poor and/or inconsistent handling.

:: Tuning Tips - Rear Arm Mount Pill Insert Setups

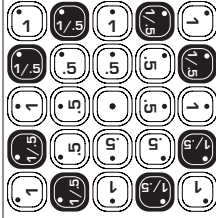
Standard Position

Use this position as a reference when changing pill locations.

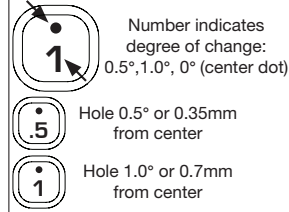
Toe: 3°
Anti-Squat: 1°
Roll Center: +0
Pin Width: +0



Possible Insert Locations



Insert Hole Locations



Pin Width

More distance = wider pivot
Less distance = narrower pivot



C Mount

D Mount

		= +1.4mm
		= +0.7mm
		= 0mm
		= -0.7mm
		= -1.4mm

Anti-Squat Angle

More angle = More anti-squat
Less angle = Less anti-squat



Shown in 1° changes

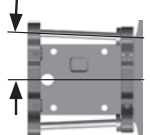
C Mount

D Mount

		= 2°
		= 1°
		= 0°
		= 3°
		= 2°
		= 1°
		= 4°
		= 3°
		= 2°

Toe Angle

More angle = More toe in
Less angle = Less toe in
Shown in 1° changes



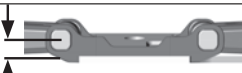
C Mount

D Mount

		= 3°
		= 4°
		= 5°
		= 2°
		= 3°
		= 4°
		= 1°
		= 2°
		= 3°

Pin Height

Higher pin = Higher roll center
Lower Pin = Lower roll center



C Mount

D Mount

		= +0.7mm
		= +0.35mm
		= 0mm
		= -0.35mm
		= -0.7mm

:: Tuning Tips

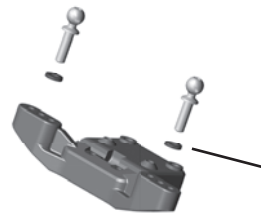
Trailing Axle:

A trailing axle is the distance from the king pin to the axle that "trails" behind the pin. The standard setup uses a 4mm trailing axle steering block for the most stable handling. Try the 3mm trailing axle steering block for more corner entry steering.

⚙️ Tuning Tips

Front Camber Links:

Changing the length of the camber link is considered a bigger step than adjusting the ball end height on the tower. Shortening the camber link (or lowering the ball end) will give the front end less roll and quicken steering response. Lengthening the camber link (or raising the ball end) will give the front more roll and slower steering response. Longer camber links are typically used on high grip tracks and shorter links tend to work better on medium-grip loose tracks.



!
*Raise or lower the ball end by adding or removing washers here

Rear Camber Link:

Changing the length of the camber link is considered a bigger step than adjusting the ball end height on the rear chassis brace. Shortening the camber link (or lowering the ball end) will give the rear end less roll and the car will tend to accelerate or "square up" better. Lengthening the camber link (or raising the ball end) will give the rear more roll and more cornering grip. Longer camber links are typically used on high grip tracks, while shorter links tend to work better on medium grip loose tracks. The kit setting is the best compromise of cornering grip and acceleration.



!
*Raise or lower the ball end by adding or removing washers here

Ackermann:

Ackermann is the angle difference between the front wheels when they are turned to steer the car. For minimal tire slip, it is standard for the inside wheel to steer to a greater angle than the outside wheel. The kit allows Ackermann adjustments by changing the washer thickness used behind the steering rack ballstuds. The kit setup uses 2mm washers and is most common for racing conditions. If corner entry steering is too aggressive, try increasing the Ackermann by removing shims from behind the steering rack ballstuds. Increasing the Ackermann will increase the angle difference of the front wheels when steered, resulting in a more stable car on corner entry.

Kickup:

Kickup is the angle the front suspension arm mounts at where the front of the arm is higher than the rear. The standard kickup angle for the B6 is 25°, and is most common. If more corner entry steering is desired, try switching to the 30° front bulkhead setting.

Axle Height:

Axle height is used to keep roll centers similar when large ride height changes are made. As a rule of thumb, high axle heights are used for lower ride heights (< 20mm) and low axle heights are used for higher (> 22mm) ride heights. The idea is to keep the arms close to level at ride height.

Ride Height:

Ride height is the distance from the ground to the bottom of the chassis.

The standard front ride height setting is 19mm (Ride Height Gauge #1449). Check the front ride height by lifting up the entire car about 8-12 inches off the bench and dropping it. After the suspension "settles" into place, measure ride height (Ride Height Gauge #1449). Raise or lower the shock collars as necessary.

The rear ride height setting you should use most often is 19mm (Ride Height Gauge #1449). Check the rear ride height by lifting up the entire car about 8-12 inches off the bench and drop it. After the suspension "settles" into place, measure ride height (Ride Height Gauge #1449). Raise or lower the shock collars as necessary.

Wheelbase Adjustment:

You have three options for rear hub spacing; forward, middle, & back. The kit setting of middle is the most neutral, and will be used most often. For improved handling in bumps or rhythm sections, try moving the hubs to the back position. Hub forward is typically used on low grip or where there are lots of tight corners.



!
*Spacers to the rear will place hubs forward, shortening the wheelbase

Anti-Roll Bars:

The anti-roll bar kits (also called the "swaybar") allows you to add roll resistance to the front and /or rear end with minimal effect on handling over bumps and jumps. It is an especially helpful tuning item on high-grip tracks.

Shock Mounting Position:

The rear shocks can be mounted on the front or rear of the rear suspension arm. Mounting the shocks on the front of the arm reduces rear weight bias. This causes the car to turn quicker and also steer more on-power. Usually this is used on high bite tracks in order to keep the car steering while applying throttle. Mounting the shocks on the rear of the arm increases rear weight bias and keeps the rear end planted while making the steering radius larger. This setting is typically easier to drive and will produce more rear traction.

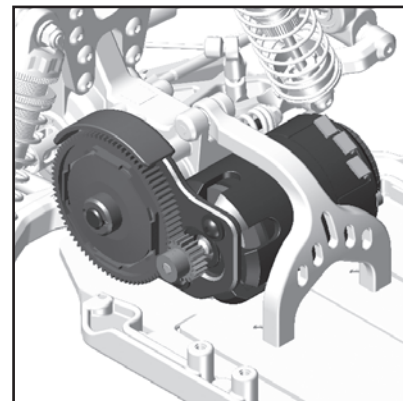
⚙️ Tuning Tips (cont.)

Motor Gearing:

Proper motor gearing will result in maximum performance and run time while reducing the chance of overheating and premature motor failure. The gear ratio chart lists recommended starting gear ratios for the most widely used motor types. Gear ratios will vary depending upon motor brand, wind, and electronic speed control. Consult your motor and electronic speed control manufacturers for more information. Team Associated is not responsible for motor damage due to improper gearing.

SC6.2 Gear Ratio Chart (Internal Gear Ratio 2.60:1)

Motor	Pinion	Spur	Final Drive Ratio
17.5 Reedy S-Plus Brushless	24	81	8.78:1
13.5 Reedy S-Plus Brushless	23	81	9.16:1
10.5 Reedy 540-M3 Brushless	22	81	9.57:1
9.5 Reedy 540-M3 Brushless	21	81	10.03:1
8.5 Reedy 540-M3 Brushless	20	81	10.53:1
7.5 Reedy 540-M3 Brushless	19	81	11.08:1
6.5 Reedy 540-M3 Brushless	18	81	11.70:1



Set The Gear Mesh:

You should be able to rock the spur gear back and forth in the teeth of the pinion gear without making the pinion gear move. If the spur gear mesh is tight, then loosen the #31532 screws and move the motor away, then try again. A gear mesh that is too tight or too loose will reduce power and damage the gear teeth.

Diff Height Adjustment:

The diff height adjustment is a good way to tune the car for grip level. On high grip tracks and low chassis ride heights, setting your diff higher will be a good option. On lower grip tracks with higher chassis ride heights, setting your diff lower will be a better option.

Gear Box Type:

Selecting the correct gear box is dependent on the type of track it will be used on.

- 1) The lay-down gear box is used on high grip conditions when on-power steering and stability are most important. This gear box will change directions the quickest and generate the most steering.
- 2) The layback gear box is used for most indoor clay track conditions.

Slipper Clutch:

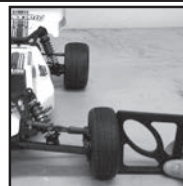
The assembly instructions give you a base setting for your clutch. Turn the nut on the top shaft screw so that the end of the top shaft screw is even with the outside of the nut. At the track, tighten or loosen the nut in 1/8 turn increments until you hear a faint slipping sound for 1-2 feet on takeoffs. Another popular way to set the clutch is to hold both rear tires firmly in place and apply short bursts of throttle. If the clutch is properly set, the front tires should lift slightly up off the surface.

Caster:

Caster describes the angle of the caster block as it leans toward the rear of the vehicle. Positive caster means the kingpin leans rearward at the top. The kit includes three inserts to adjust caster angle at the caster block, 0°, 2.5°, and +5°. The total caster angle is the sum of the kick-up angle and the caster block angle. Standard total caster angle for the B6 is 30°. That is achieved with a 25° kick-up and a +5° caster block angle. For less entry steering and more exit steering, try 0° caster block angle.

Front Camber:

Camber describes the angle at which the tire and wheel rides when looked at from the front. Negative camber means that the tire leans inward at the top. A good starting camber setting is -1°. Positive camber, where the top of the tire is leaning out, is not recommended. Optional #1719 camber gauge can be used to more accurately set camber.



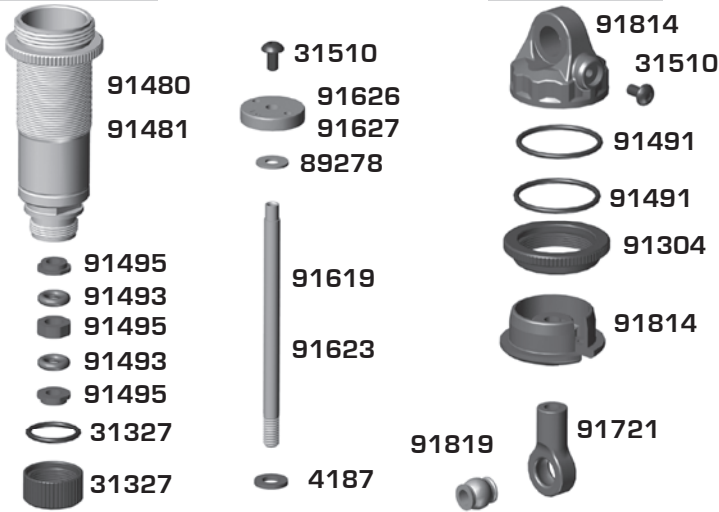
*Testing camber with camber gauge

Rear Camber:

Camber describes the angle at which the tire and wheel rides when looked at from the back. Negative camber means that the tire leans inward at the top. A good starting camber setting is -1°. Adding a small amount of positive camber, where the top of the tire is leaning out, will tend to improve straight-line acceleration on loose tracks. Optional #1719 camber gauge can be used to more accurately set camber.

:: Shocks

4187	.030 Nylon Washer	12
31327	VCS3 Shock Bottom Cap and O-Ring	2 ea.
31510	2x4mm BHCS	6
89278	2.6x6mm Washer	20
91304	12MM Threaded Collar and O-Ring	2
91481	12x27.5MM V2 Shock Bodies	2
91483	12x36MM V2 Shock Bodies	2
91491	12MM V2 Shock Rebuild Kit	1
91492	M2 x 4mm BHCS with Washer	2
91493	FT Low Friction X-Rings	8
91495	12 mm V2 X-Ring Rebuild Kit	1
91619	3 x 27.5mm Shock Shaft (V2), TiN	2
91623	3 x 35mm Shock Shaft (V2), TiN	2
91626	FT 12mm Pistons (V2), 2x1.6 mm, flat	4
91627	FT 12mm Pistons (V2), 2x1.7 mm, flat	4
91814	B6.1 Shock Caps/Spring Cups	4 ea.
91819	B6.1 Shock Pivot Balls	4
91820	B6.1 Ball Ends	1



:: FT Options - Shocks

91493	FT Low Friction X-Rings	4
91494	FT 12 mm Machined Shock Spacers, V2	1
91495	FT 12mm V2 X-Ring Rebuild Kit	1
91577	FT 12x27.5 mm FOX(R) Shock Bodies with Genuine Kashima Coat, V2, threaded	2
91579	FT 12x36mm FOX(R) Shock Bodies with Genuine Kashima Coat, V2, threaded	2
91620	FT 3x27.5mm V2 Shock Shaft, Chrome	2
91621	FT 12mm Pistons, V2, 2x1.6, Thin	4
91622	FT 12mm Pistons, V2, 2x1.7, Thin	4
91624	FT 3x35mm V2 Shock Shaft, Chrome	2

:: Shock Fluid

5420	10 Weight Silicone Shock Fluid	2oz.
5421	20 Weight Silicone Shock Fluid	2oz.
5422	30 Weight Silicone Shock Fluid	2oz.
5423	40 Weight Silicone Shock Fluid	2oz.
5424	22.5 Weight Silicone Shock Fluid	2oz.
5425	80 Weight Silicone Shock Fluid	2oz.
5426	27.5 Weight Silicone Shock Fluid	2oz.
5427	15 Weight Silicone Shock Fluid	2oz.
5428	25 Weight Silicone Shock Fluid	2oz.
5429	35 Weight Silicone Shock Fluid	2oz.
5430	45 Weight Silicone Shock Fluid	2oz.
5431	55 Weight Silicone Shock Fluid	2oz.
5432	32.5 Weight Silicone Shock Fluid	2oz.
5433	37.5 Weight Silicone Shock Fluid	2oz.
5434	42.5 Weight Silicone Shock Fluid	2oz.
5435	50 Weight Silicone Shock Fluid	2oz.
5436	60 Weight Silicone Shock Fluid	2oz.
5437	70 Weight Silicone Shock Fluid	2oz.
5438	47.5 Weight Silicone Shock Fluid	2oz.



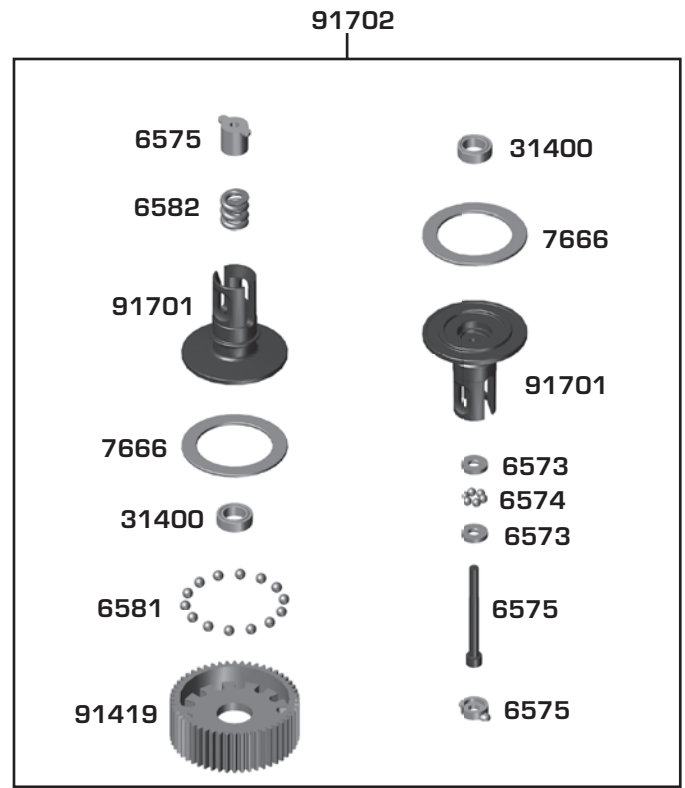
:: Springs

91635	Front Shock Spring, 54mm, Green 3.75lbs	2
91636	Front Shock Spring, 54mm, White 4.10lbs	2
91637	Front Shock Spring, 54mm, Gray 4.45lbs - KIT	2
91639	Rear Shock Spring, 72mm, Green 2.20lbs	2
91640	Rear Shock Spring, 72mm, White 2.40lbs - KIT	2
91641	Rear Shock Spring, 72mm, Gray 2.60lbs	2



:: Ball Differential

1733	Diff Shims	8
6573	Diff Thrust Washer & Bolt	2
6574	Precision Diff Thrust Balls, 5/64"	6
6575	Locking T-Nut, Diff Thrust Bolt, & Cover	1
6581	3/32" Carbide Diff Balls	12
6582	Diff Thrust Spring	1
7666	Diff Drive Rings, 2.60:1	2
7677	Ball Diff Rebuild Kit	1
31400	Bearing, 5 x 8mm	2
91419	Diff Gear, B5	1
91701	Ball Diff Outdrive, B6	1 ea.
91702	Ball Diff Kit, B6	1



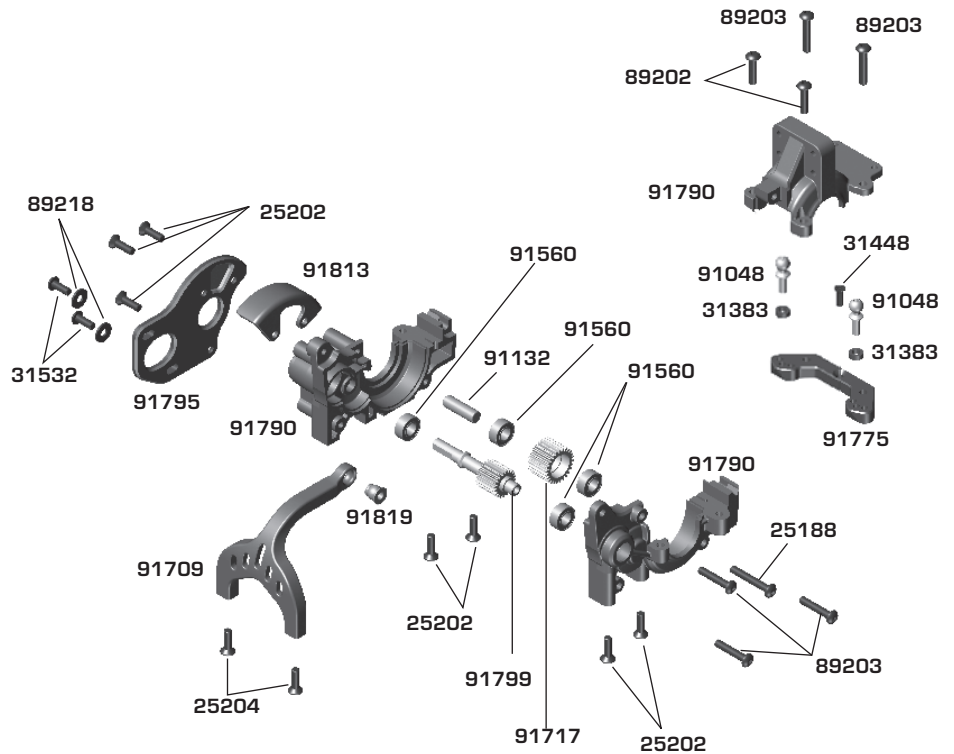
:: Differential Fluid

5450	Silicone Diff Fluid 1,000CST	2oz.
5451	Silicone Diff Fluid 2,000CST	2oz.
5452	Silicone Diff Fluid 3,000CST	2oz.
5444	Silicone Diff Fluid 4,000CST	2oz.
5453	Silicone Diff Fluid 5,000CST	2oz.
5446	Silicone Diff Fluid 6,000CST	2oz.
5454	Silicone Diff Fluid 7,000CST	2oz.
5455	Silicone Diff Fluid 10,000CST	2oz.
5447	Silicone Diff Fluid 15,000CST	2oz.
5456	Silicone Diff Fluid 20,000CST	2oz.
5457	Silicone Diff Fluid 30,000CST	2oz.
5458	Silicone Diff Fluid 60,000CST	2oz.
5448	Silicone Diff Fluid 80,000CST	2oz.
5459	Silicone Diff Fluid 100,000CST	2oz.
5461	Silicone Diff Fluid 200,000CST	2oz.
5463	Silicone Diff Fluid 500,000CST	2oz.
5465	Silicone Diff Fluid 1,000,000CST	2oz.



Transmission

25188	M3 x 20mm BHCS	10
25202	M3 x 10mm FHCS	10
25204	M3 x 16mm FHCS	10
31383	Ballstud Washers, 5.5x2.0 mm, blue aluminum	10
31448	M2.5 x 8mm FHCS	10
31532	M3 x 8mm BHCS	10
89202	M3 x 12mm BHCS	10
89203	M3 x 16mm BHCS	10
89218	M3 x 8mm Washers	10
91048	Heavy-duty Ballstuds, 8 mm	10
91132	4x4 FT Idler Shafts, aluminum	2
91560	FT Bearings, 5x10x4 mm	4
91709	B6 Chassis Braces	1 ea.
91717	B6 Idler Gear, 26T, standup	2
91775	B6.1 Rear Ballstud Mount	1
91790	B6.1 Layback Gearbox	1
91795	B6.1 Laydown Motor Plate	1
91799	B6.1 Laydown Top Shaft	1
91813	B6.1 Gear Cover	1
91819	B6.1 Shock Pivot Balls	4



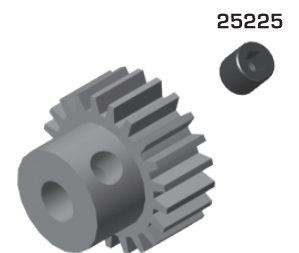
Slipper Clutch

25612	Locknuts, M3, Flanged	10
91799	B6.1 Laydown Top Shaft	1
91801	B6.1 Slipper Spring and Adaptors	1
91803	B6.1 Slipper Hub, Inner	1
91804	B6.1 Slipper Hub, Outer	1
91805	B6.1 HTC Slipper Hub Outer	1
92286	Octalock LCF Slipper Pad, 19mm	2
92288	Octalock Slipper Pad, 19mm	2
92293	Octalock Spur Gear, 72T, 48P	1
92294	Octalock Spur Gear, 75T, 48P	1
92295	Octalock Spur Gear, 78T, 48P	1
92296	Octalock Spur Gear, 81T, 48P	1



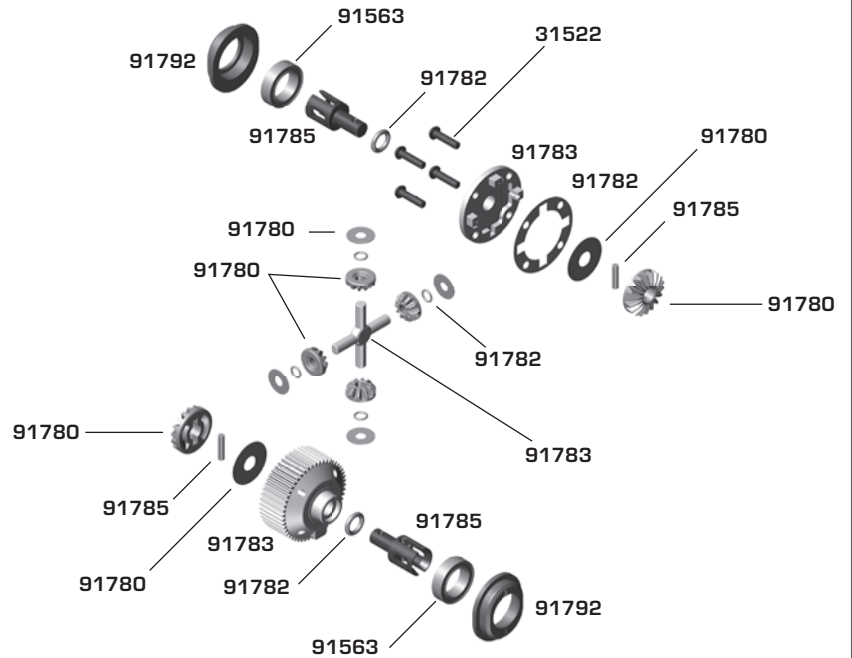
Pinion Gears

1335	17T 48P Aluminum Pinion Gear	1	1349	31T 48P Aluminum Pinion Gear	1
1336	18T 48P Aluminum Pinion Gear	1	1350	32T 48P Aluminum Pinion Gear	1
1337	19T 48P Aluminum Pinion Gear	1	1351	33T 48P Aluminum Pinion Gear	1
1338	20T 48P Aluminum Pinion Gear	1	1352	34T 48P Aluminum Pinion Gear	1
1339	21T 48P Aluminum Pinion Gear	1	1353	35T 48P Aluminum Pinion Gear	1
1340	22T 48P Aluminum Pinion Gear	1	25225	M3 x 3mm Set Screw	20
1341	23T 48P Aluminum Pinion Gear	1			
1342	24T 48P Aluminum Pinion Gear	1			
1343	25T 48P Aluminum Pinion Gear	1			
1344	26T 48P Aluminum Pinion Gear	1			
1345	27T 48P Aluminum Pinion Gear	1			
1346	28T 48P Aluminum Pinion Gear	1			
1347	29T 48P Aluminum Pinion Gear	1			
1348	30T 48P Aluminum Pinion Gear	1			



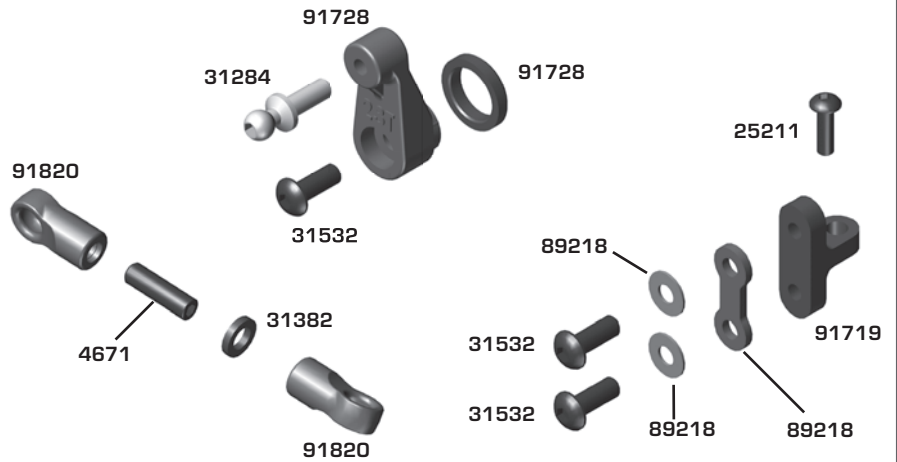
:: Optional Gear Differential

31522	M2.5 x 10mm BHCS	10
91563	FT Bearings, 10x15x4 mm	4
91780	B6.1 Gear Differential Rebuild	1
91782	B6.1 Gear Differential Seals	1
91783	B6.1 Gear Differential Case	1
91784	B6.1 Aluminum Cross Pins	2
91785	B6.1 Gear Differential Outdrives	2
91786	B6.1 Gear Differential	1
91792	B6.1 Differential Height Inserts	2 ea.
5450	Silicone Diff Fluid 1,000CST	1
5451	Silicone Diff Fluid 2,000CST	1
5452	Silicone Diff Fluid 3,000CST	1
5444	Silicone Diff Fluid 4,000CST	1
5453	Silicone Diff Fluid 5,000CST	1
5446	Silicone Diff Fluid 6,000CST	1
5454	Silicone Diff Fluid 7,000CST	1
5455	Silicone Diff Fluid 10,000CST	1
5447	Silicone Diff Fluid 15,000CST	1
5456	Silicone Diff Fluid 20,000CST	1
5457	Silicone Diff Fluid 30,000CST	1
5458	Silicone Diff Fluid 60,000CST	1
5448	Silicone Diff Fluid 80,000CST	1
5459	Silicone Diff Fluid 100,000CST	1
5461	Silicone Diff Fluid 200,000CST	1
5463	Silicone Diff Fluid 500,000CST	1
5465	Silicone Diff Fluid 1,000,000CST	1



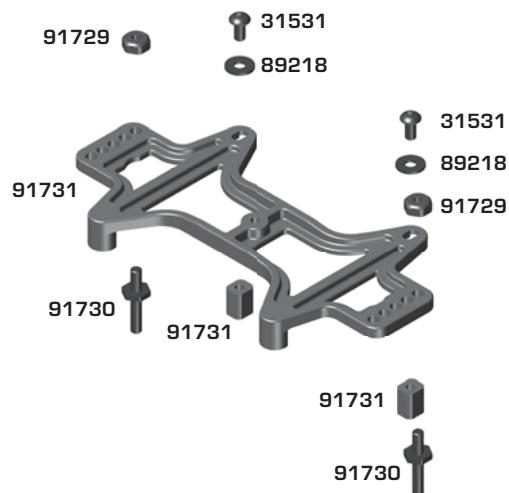
:: Turnbuckles and Servo Mounts

4671	M3 x 10mm Set Screw	6
7253	Turnbuckles, 67mm (2.62"), Steel	2
9175	Turnbuckles, 58mm	2
25211	M3 x 10mm BHCS	20
31284	Ball Studs Long, 8mm	6
31382	FT Ballstud Washer, aluminum 1mm	10
31532	M3 x 8mm BHCS	6
89218	M3 x 8mm Washers	10
91719	Servo Mount, B6	2
91722	Ball Cups, B6	12
91728	B6 Servo Horns, 15.5 mm	1
91820	B6.1 Ball Ends	1



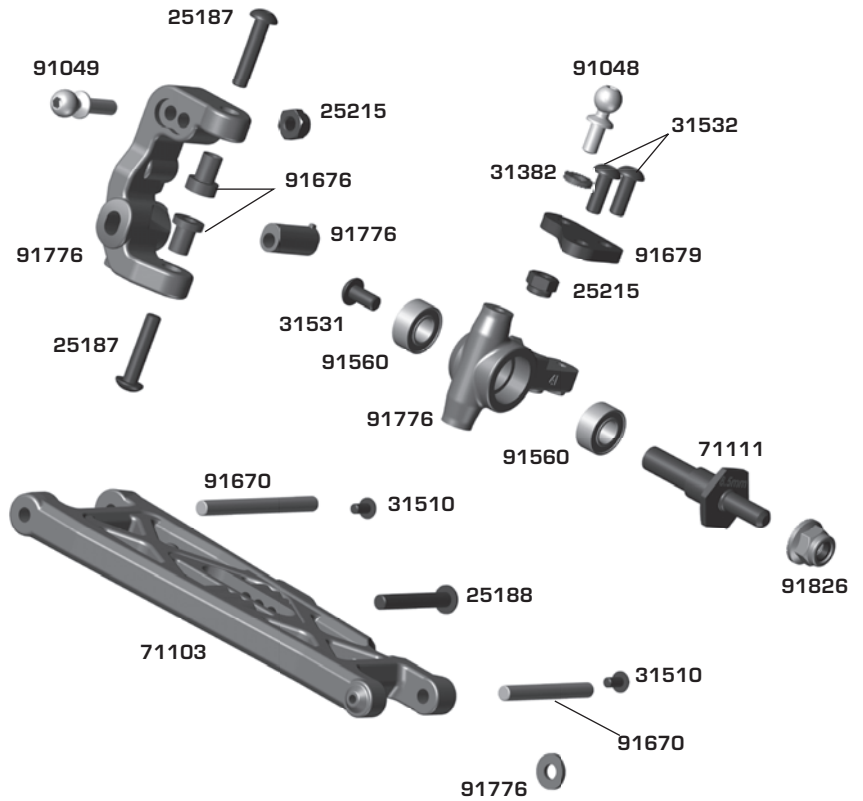
:: Battery Strap

31531	M3 x 6mm BHCS	10
89218	3 x 8mm Washers	10
91729	Thumb Screw, B6	2
91730	Battery Strap Shoulder Screw	2
91731	Battery Strap, B6	1



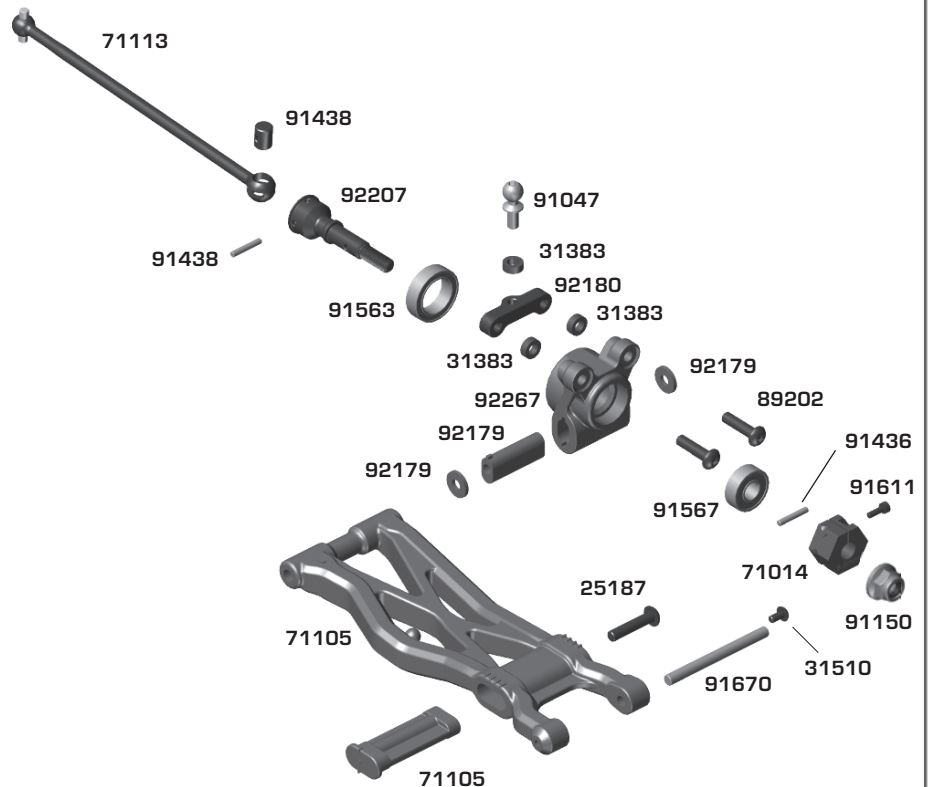
Front Arm

25187	M3 x 14mm BHCS	10
25188	M3 x 20mm BHCS	10
25215	M3 Locknut, Black	10
31382	FT Ballstud Washer, aluminum 1mm	10
31510	M2 x 4mm BHCS	6
31531	M3 x 6mm, BHCS	6
31532	M3 x 8mm, BHCS	6
71103	T6.1 Front Arms	Pr.
71111	T6.1 Front Axle, 8.50mm	2
91048	Heavy-duty Ballstud, 8mm	8
91049	Heavy-duty Ballstud, 10mm	8
91560	FT Bearing, 5 x 10 x 4	4
91670	Hinge Pin Set, B6	1
91676	B6 Caster Hat Bushings	2 ea.
91679	B6 Steering Block Arms	2
91776	B6.1 Caster/Steering Blocks	1
91826	M4 Serrated Wheel Nut, Steel (Silver)	10



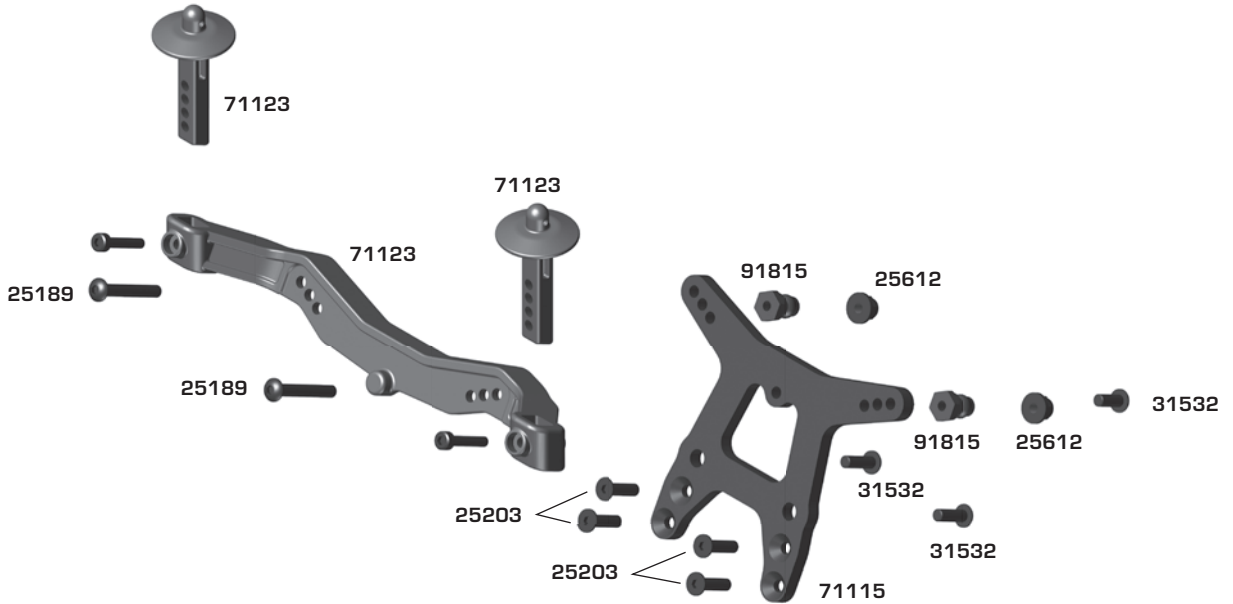
Rear Arm

25187	M3 x 14mm BHCS	10
25215	M3 Locknut, Black	10
31383	Ballstud Washers, 5.5x3x2mm	10
31510	M2 x 4mm BHCS	6
71105	T6.1 Rear Suspension Arm	Pr.
71014	FT Clamping Wheel Hexes, 8.5mm	2
71113	T6.1 CVA Bone (91mm)	2
89202	M3 x 12mm BHCS	10
91047	Heavy-duty Ballstud, 6mm	8
91150	M4 LP Flanged Serrated Nut, Steel	10
91436	CVA/Wheel Hex Pin, B5	4
91438	CVA Rebuild Kit, B5	1
91563	FT Bearing, 10 x 15 x 4	4
91567	FT Bearing, 5 x 12 x 4	4
91611	M1.6 x 5mm SHCS	4
91670	Hinge Pin Set, B6	1
92179	Rear Hub Insert Set	1
92180	Rear Hub Link Mounts	2
92267	B74.1 Rear Hub	Pr.



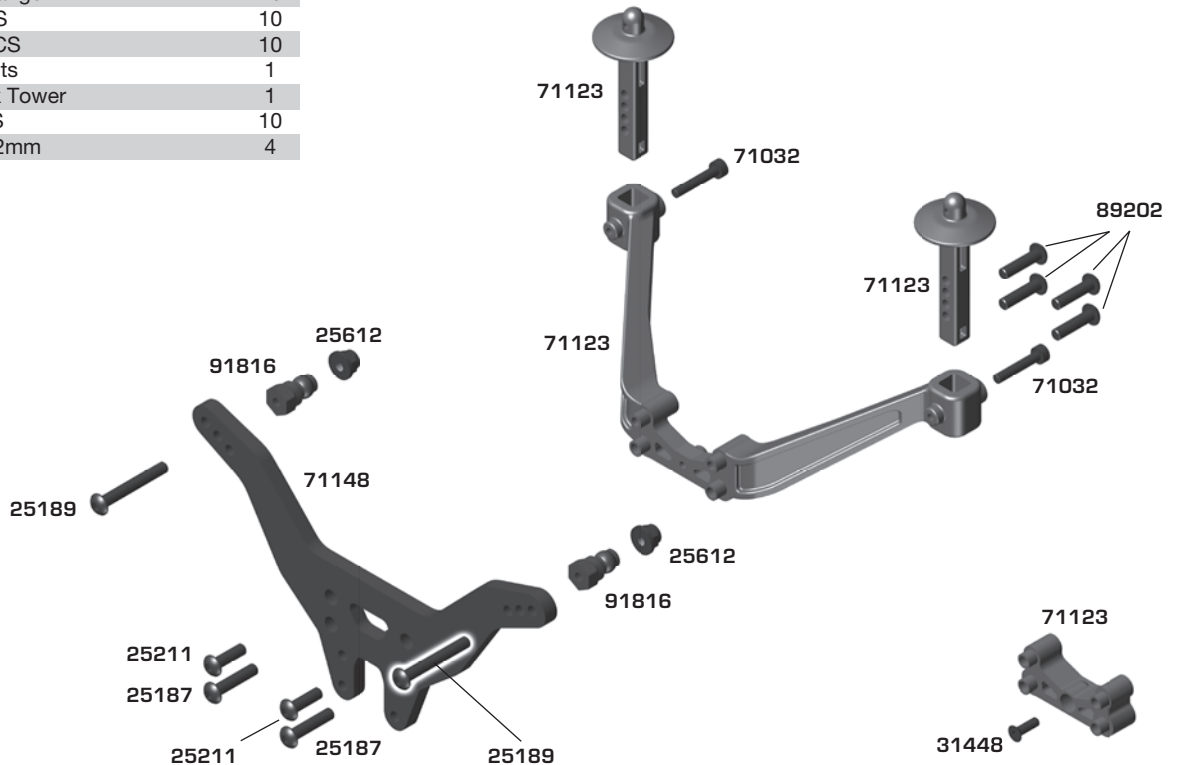
Front Shock Tower

25189	M3 x 22mm BHCS	10
25203	M3 x 12mm FHCS	10
25612	M3 Locknuts w/Flange	10
31532	M3 x 8mm BHCS	10
71032	M2.5 x 14mm SHCS	10
71115	T6.1 Front Shock Tower	1
71123	SC6.1 Body Mounts	1
91815	Shock Bushing, 10mm	4



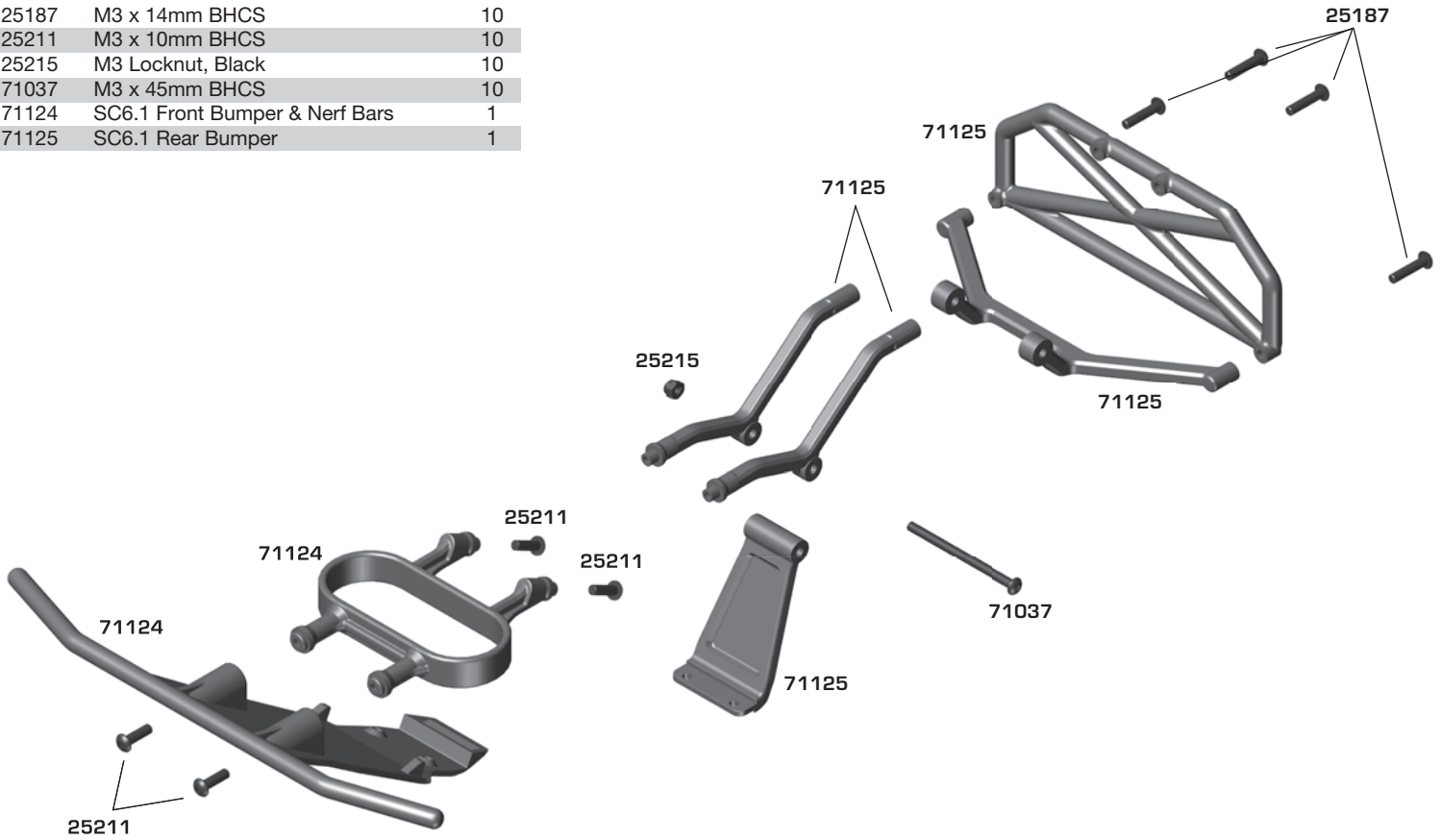
Rear Shock Tower

25187	M3 x 14mm BHCS	10
25189	M3 x 22mm BHCS	10
25211	M3 x 10mm BHCS	10
25612	M3 Locknuts w/Flange	10
31448	M2.5 x 8mm FHCS	10
71032	M2.5 x 14mm SHCS	10
71123	SC6.1 Body Mounts	1
71148	SC6.2 Rear Shock Tower	1
89202	M3 x 12mm BHCS	10
91816	Shock Bushing, 12mm	4



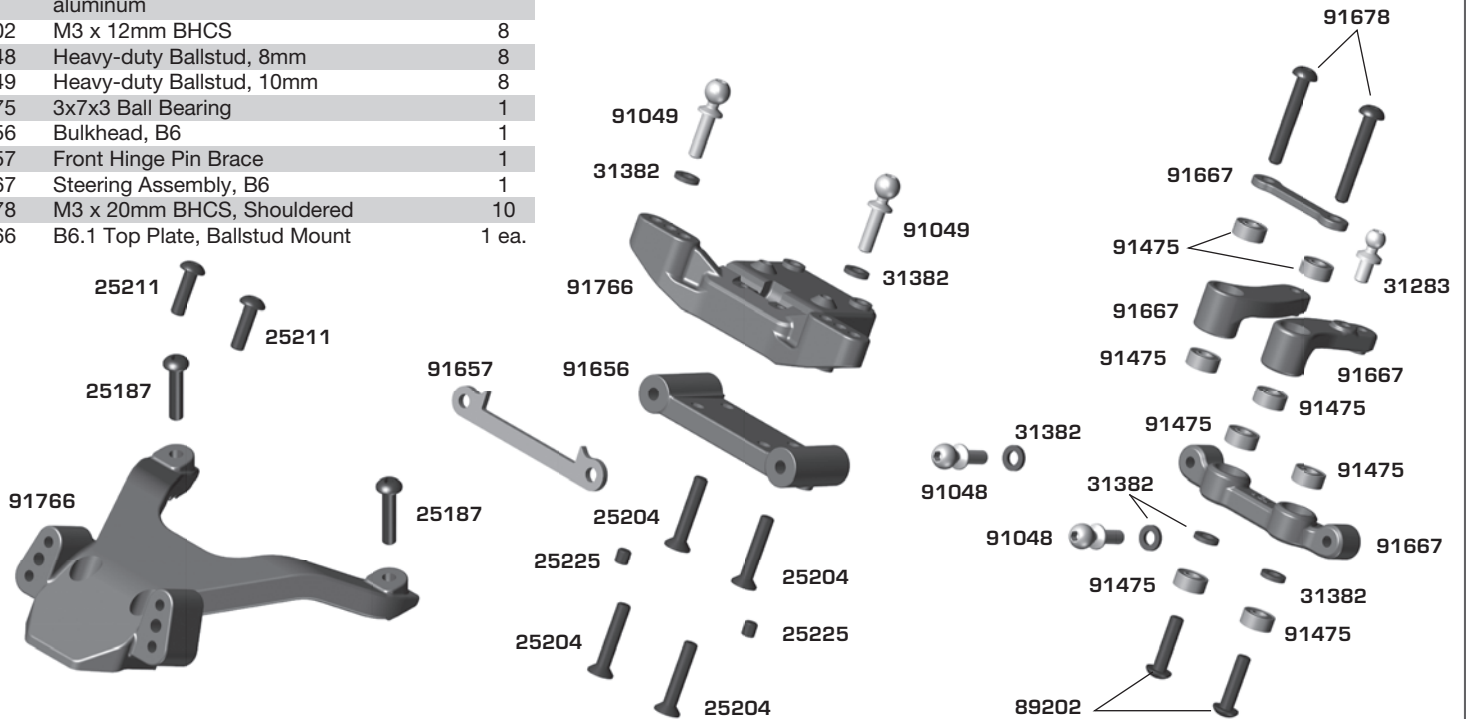
Front and Rear Bumpers

25187	M3 x 14mm BHCS	10
25211	M3 x 10mm BHCS	10
25215	M3 Locknut, Black	10
71037	M3 x 45mm BHCS	10
71124	SC6.1 Front Bumper & Nerf Bars	1
71125	SC6.1 Rear Bumper	1



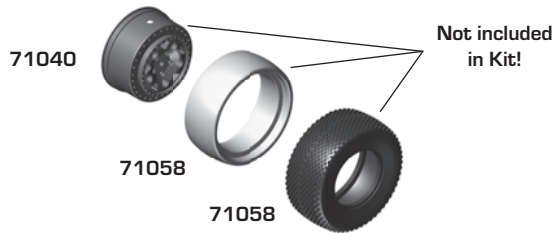
Front Bulkhead / Steering

25187	M3 x 14mm BHCS	10
25204	M3 x 16mm FHCS	10
25211	M3 x 10mm BHCS	10
25225	M3 x 3mm Set Screw	10
31283	Ball Studs, Long, 5mm	6
31382	Ballstud Washers, 5.5x1.0 mm, blue aluminum	10
89202	M3 x 12mm BHCS	8
91048	Heavy-duty Ballstud, 8mm	8
91049	Heavy-duty Ballstud, 10mm	8
91475	3x7x3 Ball Bearing	1
91656	Bulkhead, B6	1
91657	Front Hinge Pin Brace	1
91667	Steering Assembly, B6	1
91678	M3 x 20mm BHCS, Shouldered	10
91766	B6.1 Top Plate, Ballstud Mount	1 ea.



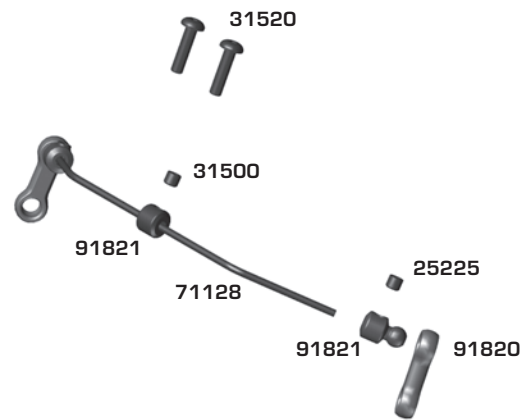
Wheels / Tires

71040	Method 12mm Hex Wheel, Black	2
71058	Multi-Terrain Tire w/Inserts	2



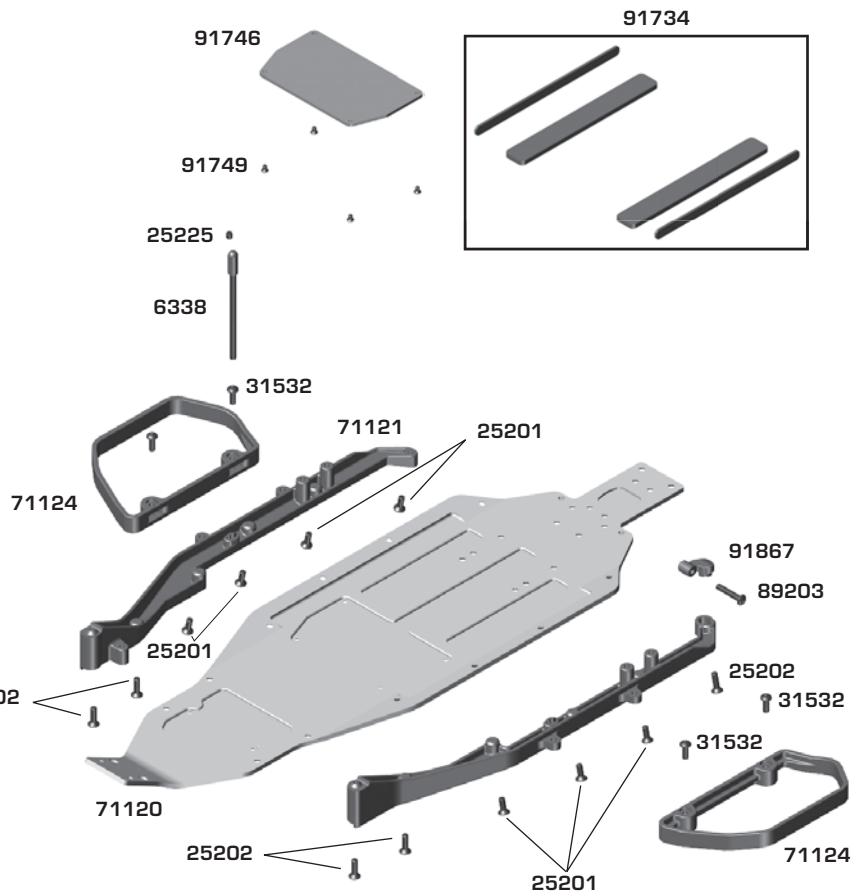
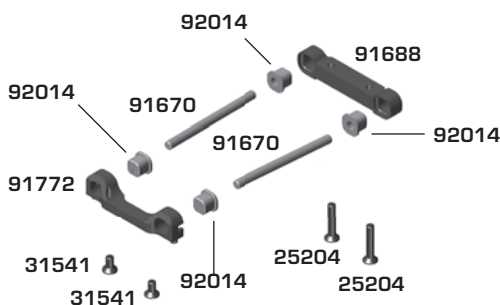
Anti-Roll Bar

25225	M3 x 3mm Set Screws	10
31500	M3 x 2.5mm Set Screws	10
31520	M2.5 x 6mm BHCS	10
71128	T6.1 Front Anti-Roll Bar	1
71129	Rear Anti-Roll Bar Set	1
91820	Front Anti-Roll Bar Link	2
91821	Anti-Roll Bar Hardware Set	2



Chassis

6338	Antenna Tube & Cap (black)	1
25201	M3 x 8mm FHCS	20
25202	M3 x 10mm FHCS	20
25204	M3 x 16mm FHCS	20
25225	M3 x 3mm Set Screw	20
31532	M3 x 8mm BHCS	10
31541	M3 x 6mm FHCS	10
71120	SC6.1 Chassis	1
71121	SC6.1 Side Rails	Pr.
71124	SC6.1 Nerf Bars	Pr.
89203	M3 x 16mm BHCS	10
91670	Hinge Pin Set, B6	1
91688	Aluminum Arm Mount (D), B6	1
91772	B6.1 Aluminum Arm Mount (C)	1
91734	Battery Foam, B6	1
91746	Chassis Weight, Aluminum, 13g	1
91749	M2 x 3mm FHCS	6
91867	B6.2 Fan Mount	1
92014	Arm Mount Inserts	4 ea.



:: Factory Team and Option Parts

1364	FT Aluminum Servo Horn, 23T, 15.5mm	1
1366	FT Aluminum Servo Horn, 25T, 15.5mm	1
1369	FT Aluminum Clamping Servo Horn 23T, 15.5mm	1
1370	FT Aluminum Clamping Servo Horn 25T, 15.5mm	1
1404	FT Titanium Turnbuckles, 45mm, Silver	2
1405	FT Titanium Turnbuckles, 48mm, Silver	2
1407	FT Titanium Turnbuckles, 58mm, Silver	2
1408	FT Titanium Turnbuckles, 67mm, Silver	2
1413	FT Titanium Turnbuckles, 38mm, Silver	2
6584	FT Ceramic Diff Balls, 3/32"	14
27128	Servo Washers, Black Aluminum	4
31381	Aluminum Ballstud Washers, 5.5x0.5mm	10
31382	Aluminum Ballstud Washers, 5.5x1.0mm	10
31383	Aluminum Ballstud Washers, 5.5x2.0mm	10
31384	Bulkhead Washers, 7.8x0.5 mm, blue aluminum	10
31385	Bulkhead Washers, 7.8x1.0 mm, blue aluminum	10
31386	Bulkhead Washers, 7.8x2.0 mm, blue aluminum	10
71014	FT Clamping Wheel Hexes, 8.5mm	2
71034	FT Clamping Wheel Hexes, 6.0mm	2
91493	FT Low Friction X-Rings	4
91494	FT 12mm Machined Shock Spacers, V2	1
91495	FT 12mm V2 X-Ring Rebuild Kit	1
91577	FT 12x27.5mm FOX(R) Shock Bodies with Genuine Kashima Coat, V2, threaded	2
91579	FT 12x36mm FOX(R) Shock Bodies with Genuine Kashima Coat, V2, threaded	2
91580	Titanium Screws, 3x6mm BHCS	4
91581	Titanium Screws, 3x8mm BHCS	4
91582	Titanium Screws, 3x10mm BHCS	4
91583	Titanium Screws, 3x12mm BHCS	4
91584	Titanium Screws, 3x14mm BHCS	4
91585	Titanium Screws, 3x16mm BHCS	4
91588	Titanium Screws, 3x22mm BHCS	4
91589	Titanium Screws, 3x24mm BHCS	4
91592	Titanium Screws, 3x8mm FHCS	4
91593	Titanium Screws, 3x10mm FHCS	4
91594	Titanium Screws, 3x12mm FHCS	4
91595	Titanium Screws, 3x14mm FHCS	4
91596	Titanium Screws, 3x16mm FHCS	4
91597	Titanium Screws, 3x18mm FHCS	4
91610	FT Clamping Wheel Hexes, 7.0mm	2
91619	FT 3 x 27.5mm Shock Shaft (V2), TiN	2
91620	FT 3 x 27.5mm Shock Shaft (V2), Chrome	2
91621	FT 12mm Pistons, V2, 2x1.6, Thin	4
91622	FT 12mm Pistons, V2, 2x1.7, Thin	4
91623	FT 3 x 35mm Shock Shaft (V2), TiN	2
91624	FT 3 x 35mm Shock Shaft (V2), Chrome	2
91625	FT 12mm Pistons V2, 2 x 1.5, flat	4
91626	FT 12mm Pistons (V2), 2x1.6 mm, flat	4
91627	FT 12mm Pistons V2, 2 x 1.7, flat	4
91628	FT 12mm Pistons (V2), 3x1.4 mm, flat	4
91630	FT 12mm Pistons (V2), Blank, flat	4
91631	FT 12mm Pistons (V2), 3x1.4 mm, tapered	4
91633	FT 12mm Pistons (V2), Blank, tapered	4
91658	FT Aluminum Bulkhead, 10g	1
91659	FT Brass Bulkhead, 30g	1
91668	FT Aluminum Steering Bellcranks	1
91744	FT Brass Under Battery Weights	2
91745	FT Aluminum Chassis Weight, 9g	1
91746	FT Aluminum Chassis Weight, 13g	1
91747	FT Steel Chassis Weight, 24g	1
91748	FT Steel Chassis Weight, 36g	1
91750	HD Titanium Ball Stud, 4mm	2
91751	HD Titanium Ball Stud, 6mm	2
91752	HD Titanium Ball Stud, 8mm	2
91753	HD Titanium Ball Stud, 10mm	2
91754	FT ESC Plate, Carbon Fiber	1
91761	FT Servo Plate, Carbon Fiber	1
91773	FT Brass Arm Mount C	1
91781	FT Gear Diff Cover, Aluminum	1
91793	Aluminum Differential Height Inserts, Black	4
91796	FT Laydown/Layback Motor Plate, Carbon Fiber	1
91797	Titanium Top Shaft Screw	1

:: Factory Team and Option Parts

91800	FT Direct Drive Kit	1
91802	FT Vented Slipper Hub	1
91806	FT Vented Slipper Hub, Outer	1
91807	FT HTC Vented Slipper Hub, Outer	1
92185	FT Rear Hub Link Shim Set, Carbon Fiber	1
92254	FT Nuts, M4 Low Profile Wheel Nuts, Black	4

:: Tools

1111	FT Turnbuckle Wrench	1
1112	FT 4mm Turnbuckle Wrench	1
1114	FT Dual Turnbuckle Wrench	1
1452	FT TC Ride Height Gauge	1
1498	FT Universal Tire Balancer	1
1499	FT Body Reamer	1
1500	FT 1.5mm Hex Driver	1
1501	FT 2.0mm Hex Driver	1
1502	FT 2.0mm Ball Hex Driver	1
1503	FT 2.5mm Hex Driver	1
1504	FT 2.5mm Ball Hex Driver	1
1505	FT 3.0mm Hex Driver	1
1506	FT 5.0mm Hex Driver	1
1507	FT 5.5mm Nut Driver	1
1508	FT 7.0mm Nut Driver	1
1510	FT 1.5mm Hex Replacement Tip	1
1511	FT 2.0mm Hex Replacement Tip	1
1512	FT 2.0mm Ball Replacement Tip	1
1513	FT 2.5mm Hex Replacement Tip	1
1514	FT 2.5mm Ball Replacement Tip	1
1515	FT 3.0mm Hex Replacement Tip	1
1518	FT HEX Driver Tool Set (3pcs)	1
1519	FT Hex/Nut Driver Tool Set (5pc)	1
1522	FT Digital Scale, 100/0.01g	1
1555	FT Clutch Gauge, 4 Shoe	1
1568	FT 5.5mm Short Nut Driver	1
1569	FT 7mm Nut Driver, T-Handle	1
1570	FT 5.5mm Short Nut Driver	1
1571	FT 1:8 Wheel Nut Wrench, 17mm Hex	1
1579	FT Ball Cup Wrench - (will not work on Enduro rod ends)	1
1595	Chassis Weights, 1/4 oz	1
1650	7 Piece Hex Driver Set	1
1657	FT 1/4" Hex Drive .050" Tip	1
1659	FT 1/4" Hex Drive 5/64" - 2.0mm Tip	1
1661	FT 1/4" Hex Drive 1.5mm Tip	1
1662	FT 1/4" Hex Drive 2.5mm Tip	1
1666	FT 1/4" Hex Drive 5.5mm Nut Driver Tip	1
1667	FT 1/4" Hex Drive 7.0mm Nut Driver Tip	1
1668	FT 1/4" Hex Drive 8.0mm Nut Driver Tip	1
1674	FT 1/4" 5 Piece Power Tool Tips Set (5/64-2.0mm, 1.5mm, 2.5mm, 5/64" - 2.0mm ball, 2.5mm ball)	1
1679	FT T-Handle Ratchet Driver	1
1737	FT Body Scissors	1
3719	6 Inch Nylon Wire Ties	12
3987	FT Droop Gauge	1
89240	RC8 FT Turnbuckle Wrench	1

:: Lubes & Adhesives / Misc.

1105	FT Green Slime Shock Lube	1
1596	FT Locking Adhesive	1
1597	FT Tire Adhesive, medium	1
6588	Black Grease - 4cc	1
6591	S.Diff Lube - 4cc	1
6636	Silicone Grease - 4cc	1
6727	Servo Tape	2
727	Reedy 2020 Sticker Set	1
3840	2016 Team Associated Decal Sheet	1
71133	SC6.1 FT Chassis Protective Sheet	1



:: Reedy Competition Motors & Spare Parts

293	Sonic 540 FT 17.5 Fixed Timing	1
294	Sonic 540 FT 13.5 Fixed Timing	1
295	Sonic 540-FT Spec Rotor 12.0 x 7.25 x 25.3	1
297	Sonic 540 FT 21.5 Fixed Timing	1
27400	S-Plus 25.5 Spec	1
27401	S-Plus 21.5 Spec	1
27402	S-Plus 17.5 Spec	1
27403	S-Plus 13.5 Spec	1
27404	S-Plus 10.5 Spec - Torque	1
27414	540-M3/S-Plus Spec Rotor 12.5 x 7.15 x 24.2	1
27415	540-M3/S-Plus Spec Rotor 12.3 x 7.15 x 24.2	1
27417	S-Plus Screw Set	1
27418	540-M3/S-Plus Lightweight Sensor Board	1
27419	S-Plus Front Plate	1
27420	540-M3/S-Plus Aluminum Case Screw Set	1
27421	540-M3/S-Plus Aluminum Timing Screw Set	1
27428	S-Plus 21.5 Spec - Torque	1
27429	S-Plus 17.5 Spec - Torque	1
27436	Sonic 540-M4 Modified Motor 17.5	1
27437	Sonic 540-M4 Modified Motor 13.5	1
27438	Sonic 540-M4 Modified Motor 9.5	1
27439	Sonic 540-M4 Modified Motor 8.5	1
27440	Sonic 540-M4 Modified Motor 8.0	1
27441	Sonic 540-M4 Modified Motor 7.5	1
27442	Sonic 540-M4 Modified Motor 7.0	1
27443	Sonic 540-M4 Modified Motor 6.5 1/12	1
27444	Sonic 540-M4 Modified Motor 6.5	1
27445	Sonic 540-M4 Modified Motor 6.0	1
27446	Sonic 540-M4 Modified Motor 5.5	1
27447	540-M4 Mod Rotor 12.5 x 7.25 x 25.3	1
27448	540-M4 Mod Rotor 12.5 x 5.0 x 25.3	1
27449	540-M4 Mod Rotor 13.0 x 5.0 x 25.3	1
27450	540-M4 Mod Rotor 12.0 x 5.0 x 25.3	1
27451	Sonic 540-M4 Modified Motor 5.0	1
27452	Sonic 540-M4 Modified Motor 4.5	1
27453	Sonic 540-M4 Modified Motor 4.0	1
27454	Sonic 540-M4 Modified Motor 3.5	1
27455	540-M4 Sensor Board	1
27456	540-M4 Ball Bearing Set	1
27460	540-M4 Mod Rotor 12.3 x 5.0 x 25.3	1

:: Reedy Competition Motor Accessories

978	Flat Sensor Wire 70mm	1
979	Flat Sensor Wire 110mm	1
980	Flat Sensor Wire 150mm	1
981	Flat Sensor Wire 200mm	1
982	Flat Sensor Wire 270mm	1
994	Flat Sensor Wire 125mm	1
995	Flat Sensor Wire 175mm	1
27423	30mm Motor Fan w/195mm extension	1
27457	30mm Aluminum Motor Fan w/195mm extension	1
27458	40mm Aluminum Motor Fan w/195mm extension	1

:: Reedy ESC's

27002	Blackbox 800Z 2S Zero-Timing Competition ESC	1
27004	Blackbox 510R Competition ESC	1
27005	Blackbox 510R Competition ESC w/PROgrammer2	1
27006	Blackbox 600Z 2S Zero-Timing Competition ESC	1
27024	Blackbox Pro Capacitor Unit	1
27027	Blackbox PROgrammer2	1
27028	Blackbox 30x30x7mm Fan w/screws	1
27029	Blackbox Pro Modified Capacitor Unit	1
27030	Blackbox ESC/Programmer2 Connection Wire	1
27031	Blackbox 510R 30x30x10mm Fan w/screws	1
27033	Blackbox 1000Z+ Pro Competition ESC	1

:: Reedy Chargers

27201	324-S AC LiPo/LiFe Compact Balance Charger	1
27202	123-S AC LiPo Compact Balance Charger	1
27203	1416-C2L Dual AC/DC Competition Battery Charger	1

:: Reedy Batteries

302	AA Alkaline 1.5V (4)	1
27313	LiPo Pro TX/RX 2400mAh 7.4V Flat	1
27315	LiFe Pro TX/RX 1600mAh 6.6V Flat	1
27318	Wolfpack HV LiPo 50C 4200mAh 7.6V Shorty	1
27347	Zappers SG3 6100mAh 85C 7.6V Shorty	1
27348	Zappers SG3 4800mAh 115C 7.6V Shorty	1
27349	Zappers SG3 4100mAh 85C 7.6V LP Shorty	1
27350	Zappers SG3 3600mAh 115C 7.6V LP Shorty	1

:: Reedy Charger Accessories

27220	Reedy 7-in-1 Universal Charge Lead (4mm)	1
27221	Reedy T-plug Charge Lead (4mm)	1
27222	Reedy XH 2-6S Balance Board (4mm)	1
27223	Reedy RX Charger Lead FUT (4mm)	1
27224	Reedy US to IEC 320 C5 angle 1M AC Power Cord	1
27226	Reedy EU to IEC 320 C5 angle 1M AC Power Cord	1
27233	Reedy 1-2S 4mm/5mm Pro Charge Lead	1
27234	Reedy 4S 5mm Pro Charge Lead	1
27235	Reedy 2S RX/TX Pro Charge Lead	1
27236	Reedy 2S-4S T-plug Pro Charge Lead	1
27237	Reedy 2S-4S XT60 Pro Charge Lead	1

:: Reedy Servos & Accessories

27100	RS1206 Digital HV Hi-Speed Competition Servo	1
27101	RT1508 Digital HV Hi-Torque Competition Servo	1
27102	RS1206 Case Set w/screws	1
27103	RS1206 Gear Set	1
27104	RT1508 Case Set w/screws	1
27105	RT1508 Gear Set	1
27107	RT2207A Digital HV Aluminum Hi-Torque Competition Servo	1
27109	RT1408 Digital HV Low-Profile Hi-Torque Competition Servo	1
27117	RT3507A Digital HV Aluminum Brushless Servo	1
27118	RS3005A Digital HV Aluminum Brushless Servo	1
27119	RT1705A Digital HV Aluminum Brushless LP Servo	1
27121	RT2207A Gear Set	1
27122	Reedy Aluminum Servo Horn (25)	1
27123	Reedy Aluminum Clamping Servo Horn (25)	1
27126	RT1408 Case Set w/screws	1
27128	RT1408 Gear Set	1
27146	RT3507A Gear Set	1
27147	RS3005A Gear Set	1
27148	RT1705A Gear Set	1

:: Reedy Accessories

643	Low Profile Bullet Plug 4mm x 14mm (2)	1
644	Low Profile Bullet Plug 4mm x 14mm (10)	1
645	Low Profile Bullet Plug 5mm x 14mm (2)	1
646	Low Profile Bullet Plug 5mm x 14mm (10)	1
647	Silicone Wire 12AWG-Black (1m)	1
648	Silicone Wire 14AWG-Black (1m)	1
650	Shrink Tubing - 15pcs 4.5mm x 20mm	1
747	Silicone Wire 12AWG-Black (30m)	1
790	Silicone Wire 13AWG-Black (1m)	1
791	Silicone Wire 13AWG-Black (30m)	1
792	Low Profile Caged Bullet Plug 4mm x 14mm (2)	1
794	Low Profile Caged Bullet Plug 5mm x 14mm (2)	1
27304	LiPo Battery Weight Set - Shorty	1
27355	Shorty Battery Weight Set - 20g, 34g, 50g	1

Front Suspension:

Ride Height:	27
Camber:	-1
Toe:	0
Anti-Roll Bar:	1.3mm
Arm Type:	Kit #71103
Tower Type:	Kit #71115
Wheel Hex:	8.5mm
Steering Block:	4mm
Caster Block Insert:	+5
Bulkhead Type:	Plastic
Kick-Up Angle:	25
Notes:	

Bump Steer Spacing: 1mm Ball Stud Spacing: 1mm

Steering Plate: +1 Axle Height:

+3	<input type="checkbox"/>
+2	<input type="checkbox"/>
+1	<input checked="" type="checkbox"/>
0	<input type="checkbox"/>

Steering Stop Spacing: 0

Caster Block Spacing: 1mm

Ball Stud Spacing: 1mm

Rear Suspension:

Ride Height:	26
Camber:	-1
Anti-Roll Bar:	
Arm Type:	Kit #71105
Tower Type:	Kit #71148
Wheel Hex:	8.5mm
Shock Mounting Position:	
Front of Arm <input type="checkbox"/> Rear of Arm <input checked="" type="checkbox"/>	
Hub Spacing: Fwd <input type="checkbox"/> Mid <input checked="" type="checkbox"/> Back <input type="checkbox"/>	
Notes:	

C Mount: Aluminum Brass

D Mount: Aluminum Brass

Hub Insert: +3 +2 +1 0

Camber Link Spacing: 2mm

Ball Stud Spacing: 2mm

Ball Stud Spacing: 2mm

Axle Height:		
<input type="radio"/> ↓0	<input type="radio"/> 3↑	<input type="radio"/> +3
<input type="radio"/> ↓1	<input type="radio"/> 2↑	<input type="radio"/> +2
<input type="radio"/> ↑1	<input type="radio"/> 2↓	<input type="radio"/> +1
<input type="radio"/> ↑0	<input type="radio"/> 3↓	<input type="radio"/> +0

Electronics:

Radio:	Servo:
EPA: Throttle: % Brake: %	
ESC:	
ESC Settings:	
Motor:	
Wind:	Timing:
Pinion:	Spur: 81
Battery:	
Batt. Position: BACK 1 <input type="checkbox"/> 2 <input checked="" type="checkbox"/> 3 <input type="checkbox"/> 4 <input type="checkbox"/> 5 <input type="checkbox"/> FWD	

Drivetrain:

Transmission:	Laydown: <input type="checkbox"/>
	Layback: <input checked="" type="checkbox"/>
	Stand Up: <input type="checkbox"/>
Differential:	Ball Diff: <input checked="" type="checkbox"/>
Height: 0	Gear Diff: <input type="checkbox"/>
Notes:	
Slipper Clutch:	
Setting: Kit	
Pad Type: 2 Pads <input checked="" type="checkbox"/> 3 Pads <input type="checkbox"/>	

Shocks:

	Front	Rear
Piston:	2 x 1.6	2 x 1.7
Fluid:	30wt	30wt
Spring:	Gray 54mm	White 72mm
Limiters:	2 Internal	1 Internal
Stroke:	26.5mm	35mm
Eyelet Length:	Long	Long
Cup Offset:	5mm	5mm
Notes:		

Track Info:

Size: Small <input type="checkbox"/> Medium <input type="checkbox"/> Large <input type="checkbox"/> Extra Large <input type="checkbox"/>
Surface: Dirt <input type="checkbox"/> Carpet <input type="checkbox"/> AstroTurf <input type="checkbox"/> Multi Surface <input type="checkbox"/>
Traction: Low <input type="checkbox"/> Medium <input type="checkbox"/> High <input type="checkbox"/> Very High <input type="checkbox"/>
Moisture: Dry <input type="checkbox"/> Damp <input type="checkbox"/> Wet <input type="checkbox"/>
Condition: Indoor <input type="checkbox"/> Outdoor <input type="checkbox"/> Dusty <input type="checkbox"/> Hard Packed <input type="checkbox"/> Bumpy <input type="checkbox"/> Grooved <input type="checkbox"/> Smooth <input type="checkbox"/> Loamy <input type="checkbox"/>
Temperature: Ambient: _____ Track: _____
Notes:

Tires:

Front Tires:
Front Compound:
Front Insert:
Rear Tires:
Rear Compound:
Rear Insert:
Wheel (F/R):
Notes:

Body, Weight:

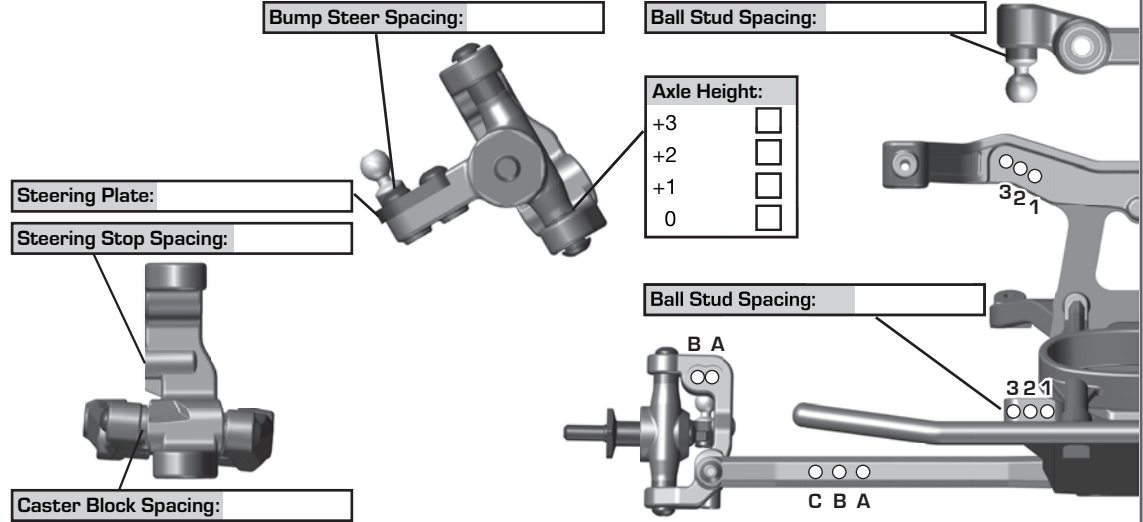
Body:
Body Height:
Servo Weights:
None <input checked="" type="checkbox"/> Aluminum <input type="checkbox"/> Steel <input type="checkbox"/> Other <input type="checkbox"/>
Electronic Weights:
None <input type="checkbox"/> Aluminum <input checked="" type="checkbox"/> Steel <input type="checkbox"/> Other <input type="checkbox"/>
Total Vehicle Weight:

Vehicle Comments:

Notes: _____

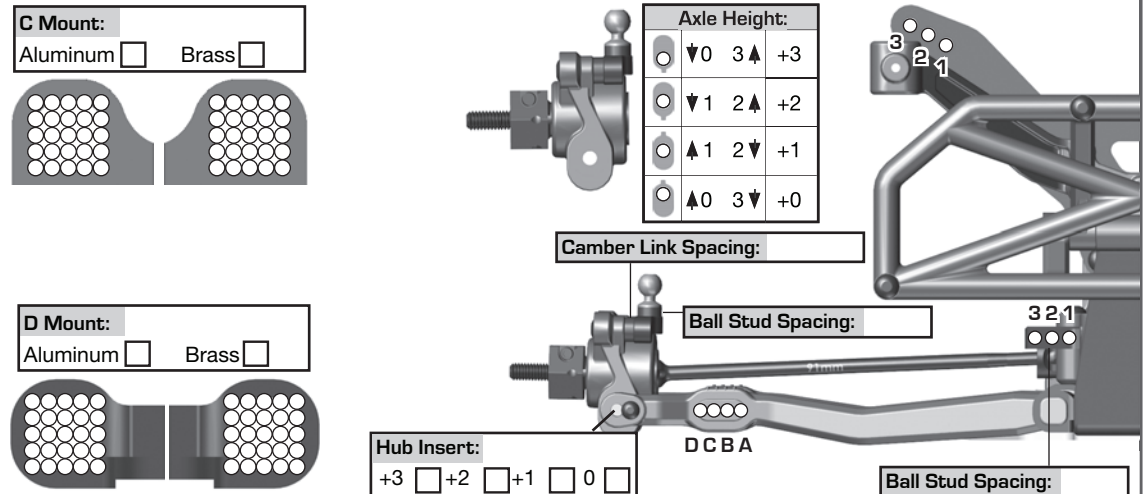
Front Suspension:

Ride Height: _____
 Camber: _____
 Toe: _____
 Anti-Roll Bar: _____
 Arm Type: _____
 Wheelbase Shim: _____
 Wheel Hex: _____
 Steering Block: _____
 Caster Block Insert: _____
 Bulkhead Type: _____
 Kick-Up Angle: _____
 Notes: _____



Rear Suspension:

Ride Height: _____
 Camber: _____
 Anti-Roll Bar: _____
 Arm Type: _____
 Tower Type: _____
 Rear Hub Shim: _____
 Wheel Hex: _____
 Shock Mounting Position:
 Front of Arm Rear of Arm
 Hub Spacing: Fwd Mid Back
 Notes: _____



Electronics:

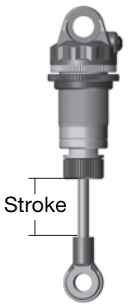
Radio: _____ Servo: _____
 EPA: Throttle: _____ % Brake: _____ %
 ESC: _____
 ESC Settings: _____
 Motor: _____
 Wind: _____ Timing: _____
 Pinion: _____ Spur: _____
 Battery: _____
 Batt. Position: BACK 1 2 3 4 5 FWD

Drivetrain:

Transmission: Laydown:
 Layback:
 Stand Up:
 Differential: Ball Diff:
 Height: _____ Gear Diff:
 Notes: _____
 Slipper Clutch:
 Setting: _____
 Pad Type: 2 Pads 3 Pads

Shocks:

	Front	Rear
Piston:		
Fluid:		
Spring:		
Limiters:		
Stroke:		
Eyelet Length:		
Cup Offset:		
Notes:		



Track Info:

Size: Small Medium Large Extra Large
 Surface: Dirt Carpet AstroTurf Multi Surface
 Traction: Low Medium High Very High
 Moisture: Dry Damp Wet
 Condition: Indoor Outdoor Dusty Hard Packed
 Bumpy Grooved Smooth Loamy
 Temperature: Ambient: _____ Track: _____
 Notes: _____

Tires:

Front Tires: _____
 Front Compound: _____
 Front Insert: _____
 Rear Tires: _____
 Rear Compound: _____
 Rear Insert: _____
 Wheel (F/R): _____
 Notes: _____

Body, Weight:

Body: _____
 Body Height: _____
 Servo Weights: _____
 None Aluminum Steel Other
 Electronic Weights: _____
 None Aluminum Steel Other
 Total Vehicle Weight: _____

Vehicle Comments:

Notes: _____



21062 Bake Parkway Lake Forest, CA 92630 USA

call: (949) 544-7500 - fax: (949) 544-7501

visit us at: www.AssociatedElectrics.com
for all of our current products, new releases, setup help,
tips, and racing info!

FOLLOW US ON SOCIAL MEDIA



TeamAssociated
ReedyPower
ElementRC



@TeamAssociatedRC
@ReedyPower
@Element RC



@Team_Associated
@ReedyPower



AEFactoryTeam