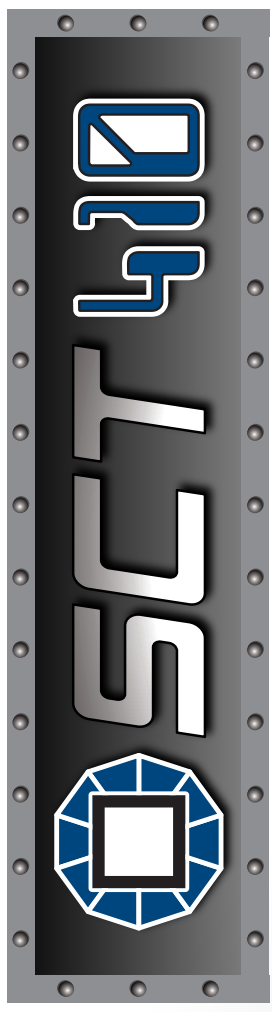




TEKNO



# INTRODUCTION



Thank you for purchasing the Tekno RC SCT410 1/10th Scale Electric 4WD Competition Short Course Truck. The SCT410 represents the state-of-the-art in 1/10th Electric Short Course technology. We hope you have as much fun driving your new vehicle as we did developing it. We are always working on new projects, so please check our website ([www.teknorc.com](http://www.teknorc.com)) regularly for the latest news, parts, and kits. Thanks again.

## **Additional equipment and parts needed:**

- 2/3 channel radio transmitter and receiver
- 1/10th scale SC (4 pole) ESC and motor
- High torque steering servo
- 2s LiPo battery
- 1/10th scale SC tires, wheels & CA glue
- Short Course body
- MOD1 Pinion (TKR4171->TKR4190)
- Or Tekno RC Traktion Drive / Elektri-Clutch slipper system (TKR4301X)

## **Tools needed:**

- Hex drivers (1.5mm, 2.0mm, 2.5mm)
- Nut drivers (5.0mm, 5.5mm, 7.0mm)
- Hobby knife
- Needle-nose pliers
- Adjustable (Crescent) wrench (for shock assembly)
- 4mm turnbuckle wrench
- Lexan Body Scissors

**Disclaimer:** Tekno RC is not responsible or liable for any property or personal damage, loss, or injury incurred as a result of using this product. This kit is meant for use by persons 14 years of age or older and in the strict confines of a legally permitted RC track or facility.

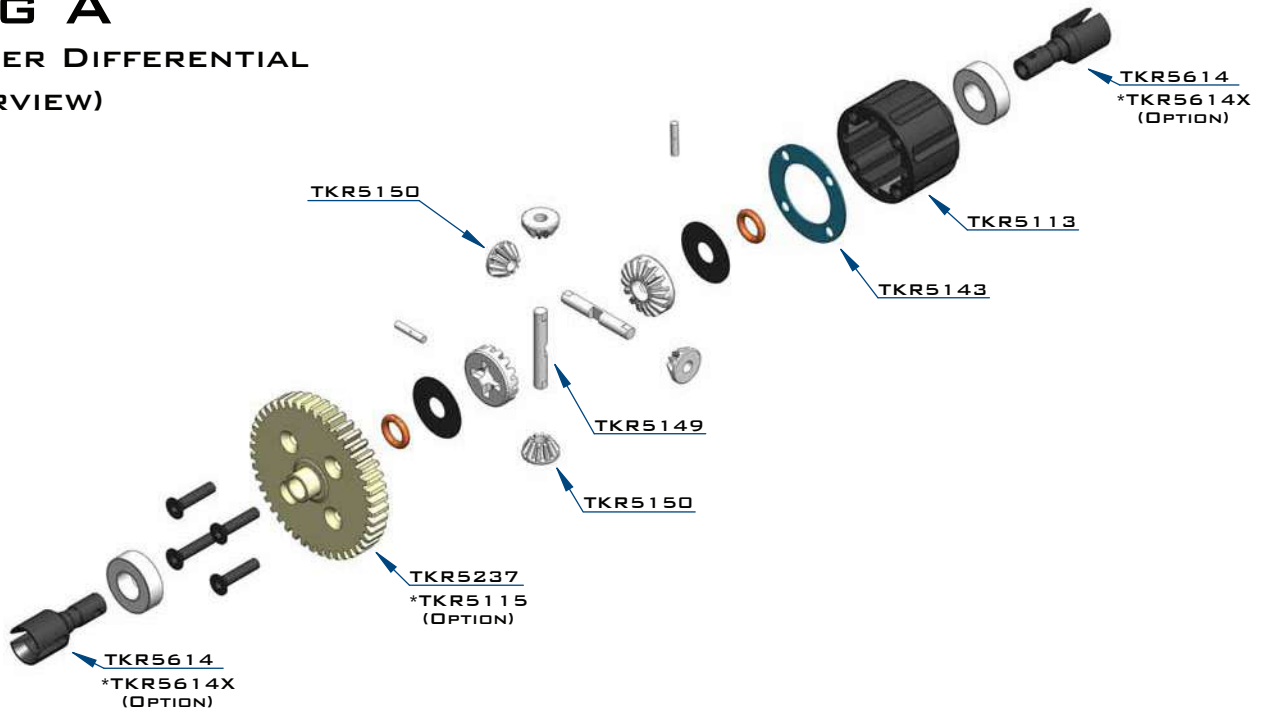
**Warnings:** Always double-check that your radio gear is working properly before operating vehicle. Never operate the vehicle indoors (unless the RC track is an indoor facility). Use caution while operating vehicle so as not to collide with people who may be turn mashing or who might otherwise not be aware that a fast moving RC vehicle is in the vicinity.

**Warranty:** We warrant that the parts included in this kit are free from defects. If you find a defective part in your kit, please contact us @ [info@teknorc.com](mailto:info@teknorc.com) and we will help you to resolve the issue. We do not warranty parts that may be broken during operation of the vehicle or otherwise. Refer to the end of this instruction manual for a listing of spare/replacement and option parts. All spare parts and other info are available on our website ([www.teknorc.com](http://www.teknorc.com)) and through our network of domestic and international dealers and distributors.

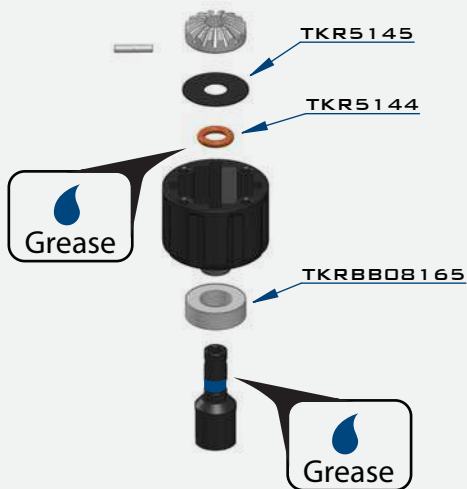
# BAG A

## CENTER DIFFERENTIAL

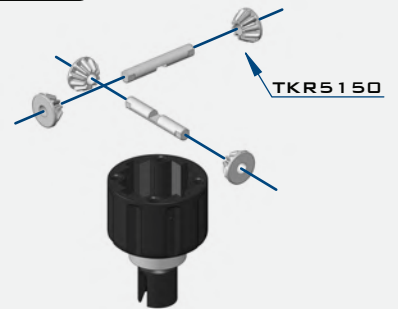
### (OVERVIEW)



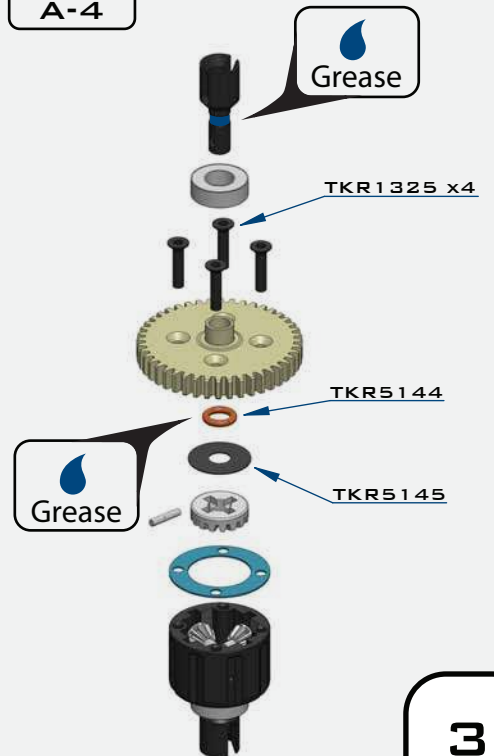
#### STEP A-1



#### STEP A-2



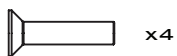
#### STEP A-4



#### STEP A-3



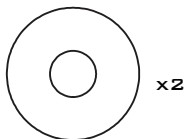
Fill with 5000 wt oil to the top of spider gears



TKR1325  
M3X14MM FLAT HEAD SCREW



TKR5144  
DIFFERENTIAL O-RINGS



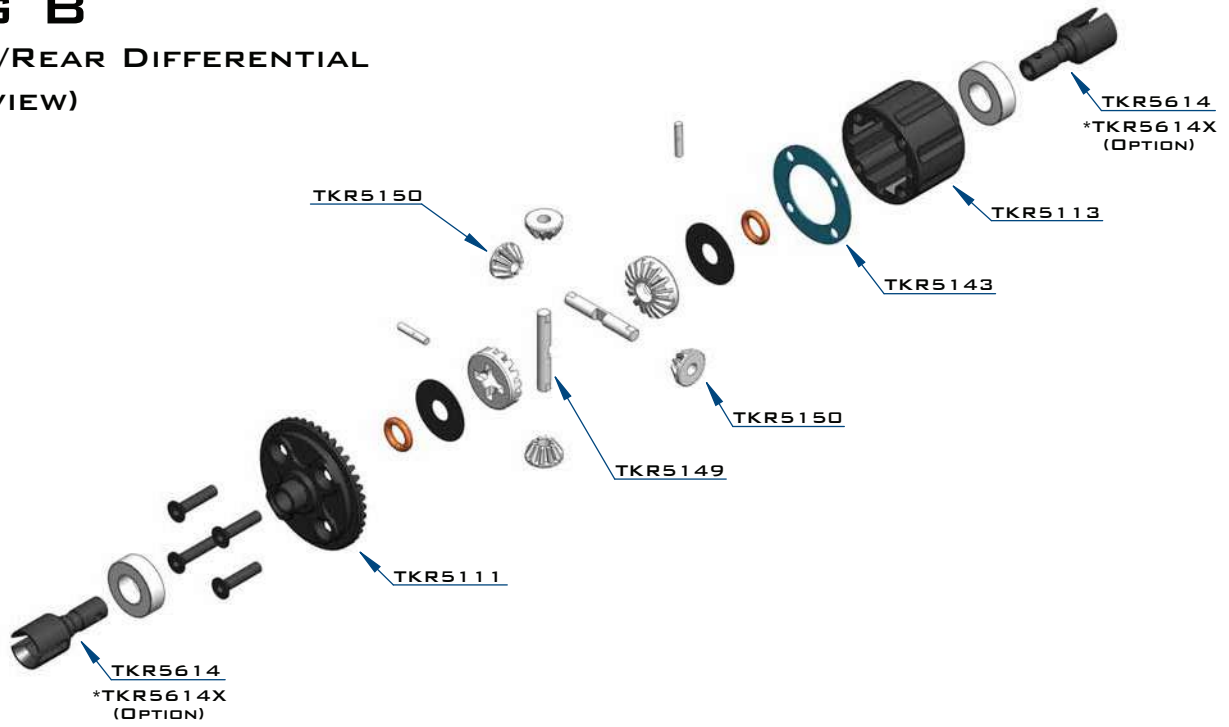
TKR5145  
DIFFERENTIAL SHIMS (6X17MM)



TKRBB08165  
BALL BEARING(8X16X5MM)

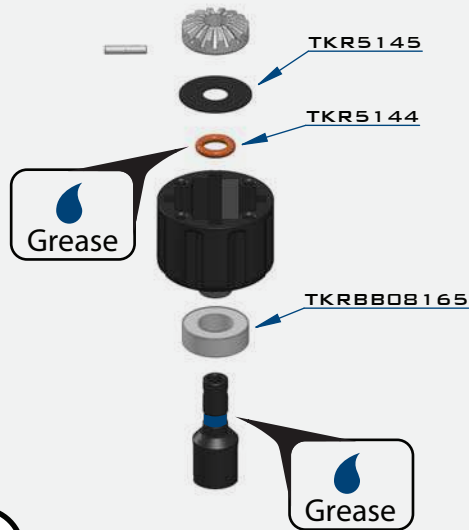
# BAG B

## FRONT/REAR DIFFERENTIAL (OVERVIEW)



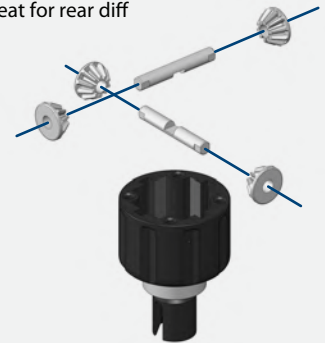
### STEP B-1

Note: Repeat for rear diff



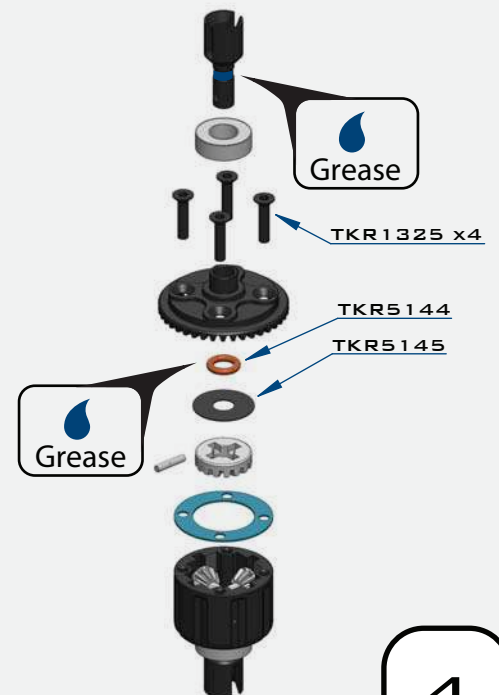
### STEP B-2

Note: Repeat for rear diff



### STEP B-4

Note: Repeat for rear diff

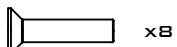


### STEP B-3

Note: Repeat for rear diff

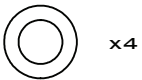


Fill with 7000 wt front,  
3000 wt rear, to the top  
of spider gears



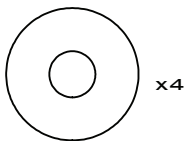
x8

TKR1325  
M3X14MM FLAT HEAD SCREW



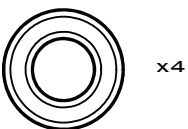
x4

TKR5144  
DIFFERENTIAL O-RINGS



x4

TKR5145  
DIFFERENTIAL SHIMS (6X17MM)

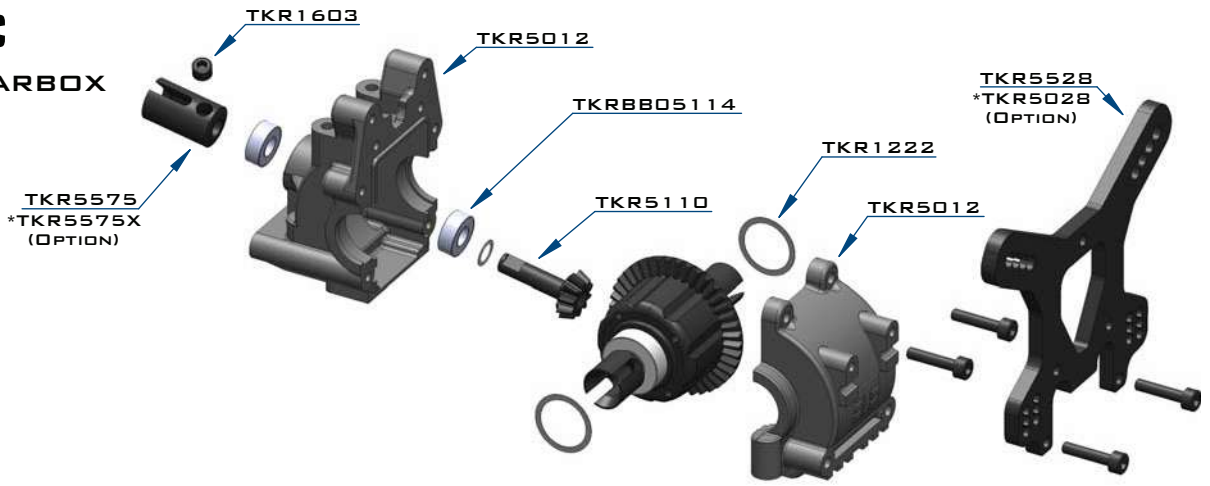


x4

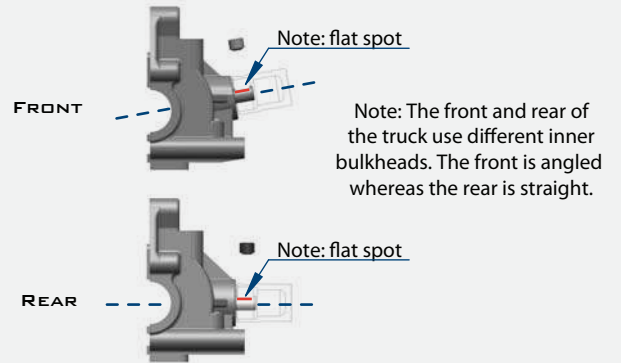
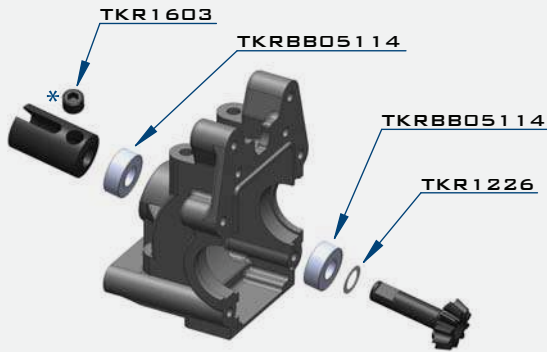
TKRBB08165  
BALL BEARING(8X16X5MM)

# BAG C

## FRONT GEARBOX (OVERVIEW)

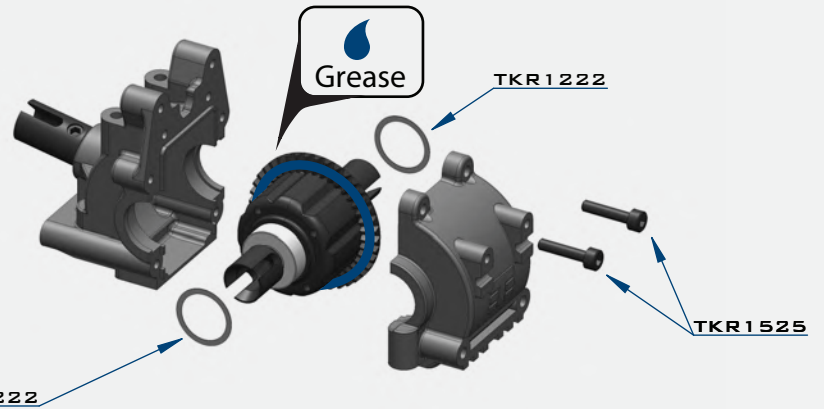


### STEP C-1

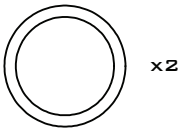
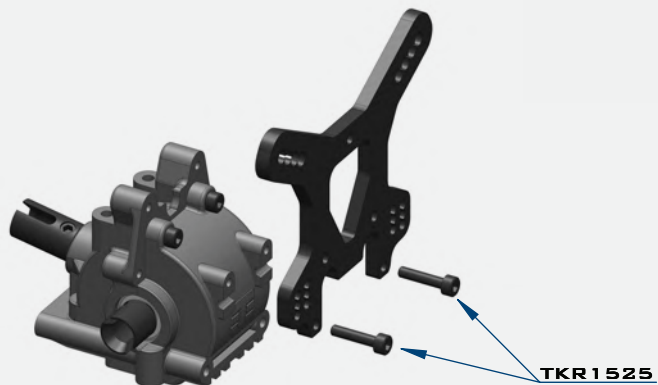


Note: TKR1222 and TKR1226 Shims - The gear mesh should be tight without any binding. TKR1226 should always be installed. Then test fitment of the diff with both TKR1222 shims on the gear-side of the diff. If the diff turns freely without binding, continue to next step. If the diff binds and does not turn freely (it will make a grinding or crunching sound when spun), remove one TKR1222 shim from the gear side and install it onto the other side of the diff. Reassemble and test the mesh again. If it is still binding, remove the second TKR1222 shim from the gear side and install it onto the other side of the diff. When you are satisfied that you have the best gear mesh possible continue to the next step. You may end up using only one shim on the gear side.

### STEP C-2

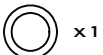


### STEP C-3



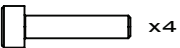
x2

TKR1222  
13x16x0.1MM DIFF SHIM



x1

TKR1226  
5x7x0.2MM SHIM



x4

TKR1525  
M3x14MM CAP HEAD SCREW



x1

TKR1603  
M5x4MM SET SCREW

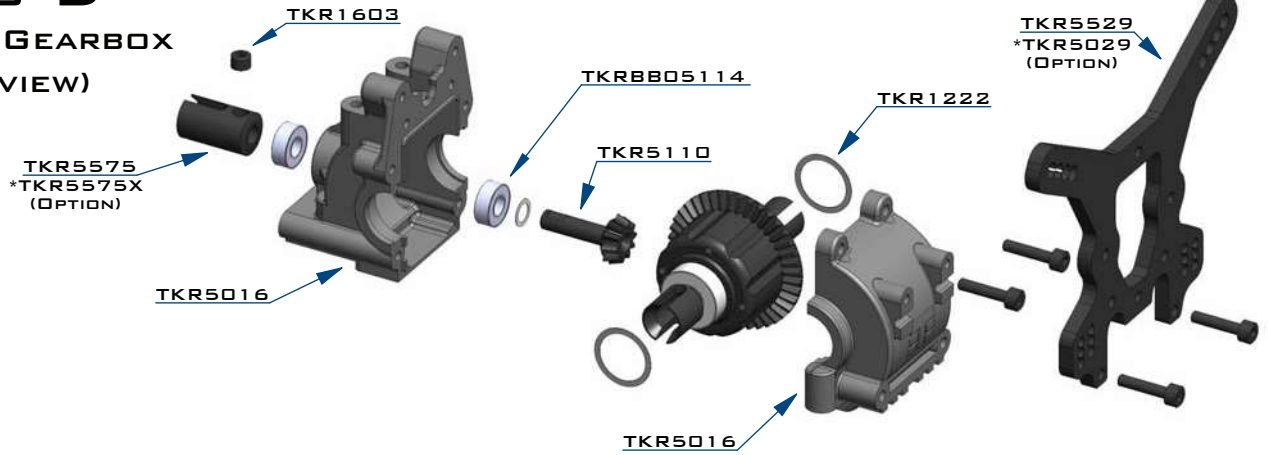


x2

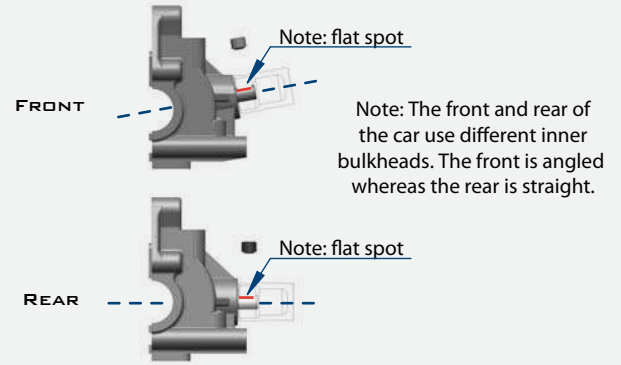
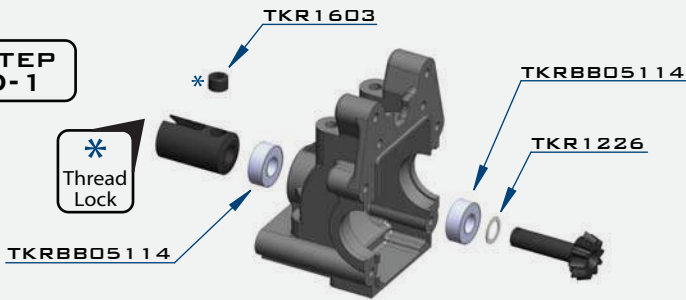
TKRBB05114  
BALL BEARING (5x11x4)

# BAG D

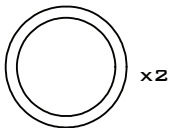
## REAR GEARBOX (OVERVIEW)



### STEP D-1



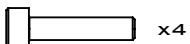
Note: TKR1222 and TKR1226 Shims - The gear mesh should be tight without any binding. TKR1226 should always be installed. Then test fitment of the diff with both TKR1222 shims on the gear-side of the diff. If the diff turns freely without binding, continue to next step. If the diff binds and does not turn freely (it will make a grinding or crunching sound when spun), remove one TKR1222 shim from the gear side and install it onto the other side of the diff. Reassemble and test the mesh again. If it is still binding, remove the second TKR1222 shim from the gear side and install it onto the other side of the diff. When you are satisfied that you have the best gear mesh possible continue to the next step. You may end up using only one shim on the gear side.



TKR1222  
13X16X0.1MM DIFF SHIM



TKR1226  
5X7X0.2MM SHIM



TKR1525  
M3X14MM CAP HEAD SCREW

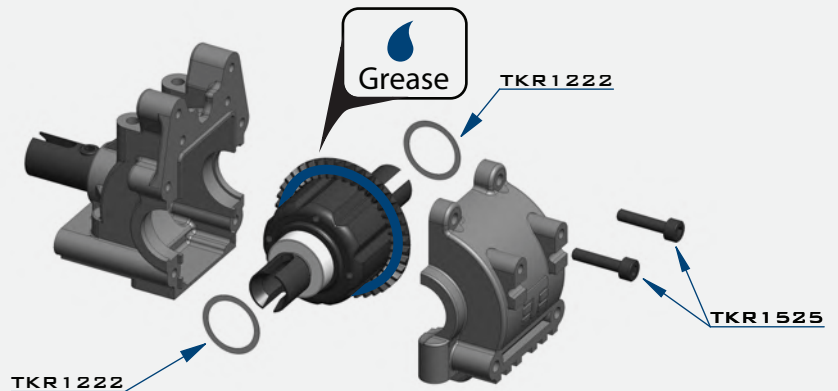


TKR1603  
M5X4MM SET SCREW

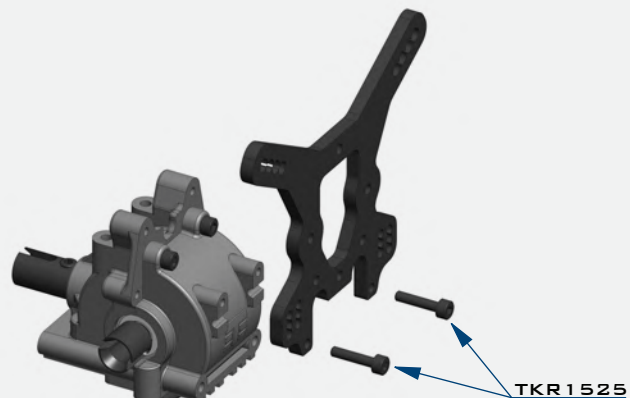


TKRBB05114  
BALL BEARING (5X11X4)

### STEP D-2



### STEP D-3

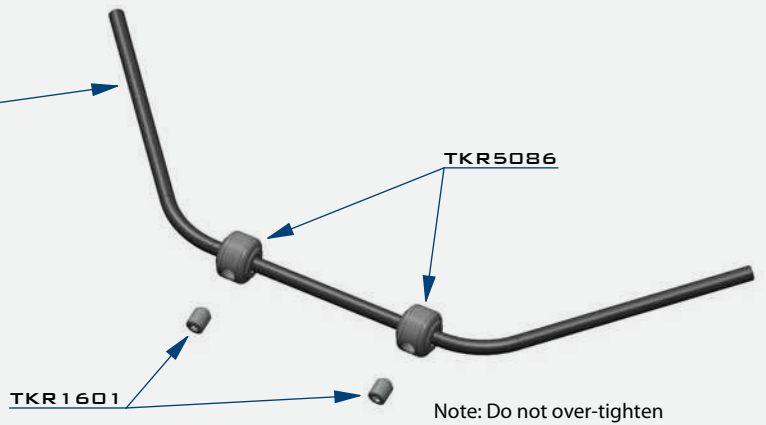


# BAG E

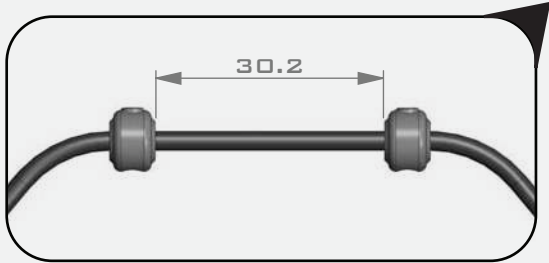
## REAR END

### STEP E-1

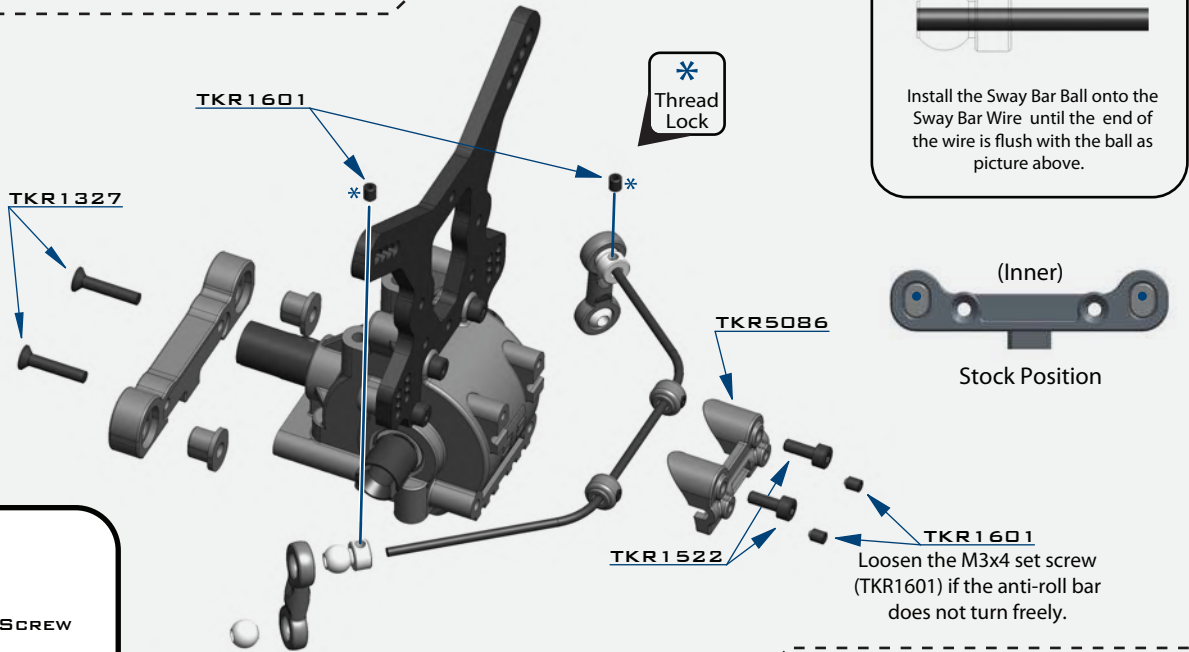
- TKR5082 - 2.4MM (OPTION)
- \*TKR5080 - 2.2MM
- \*TKR5081 - 2.3MM
- \*TKR5083 - 2.5MM
- \*TKR5084 - 2.6MM
- \*TKR5085 - 2.8MM
- \*TKR5087 - 3.0MM



Note: Do not over-tighten



### STEP E-2

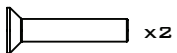


Install the Sway Bar Ball onto the Sway Bar Wire until the end of the wire is flush with the ball as picture above.



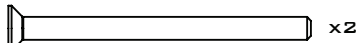
Stock Position

Loosen the M3x4 set screw (TKR1601) if the anti-roll bar does not turn freely.



x2

TKR1327  
M3x16MM FLAT HEAD SCREW



x2

TKR1333  
M3x40MM FLAT HEAD SCREW



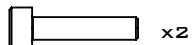
x2

TKR1443  
M4x10MM BUTTON HEAD SCREW



x2

TKR1522  
M3x8MM CAP HEAD SCREW



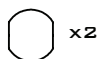
x2

TKR1525  
M3x14MM CAP HEAD SCREW



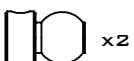
x6

TKR1601  
M3x4MM SET SCREW



x2

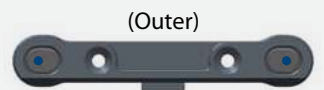
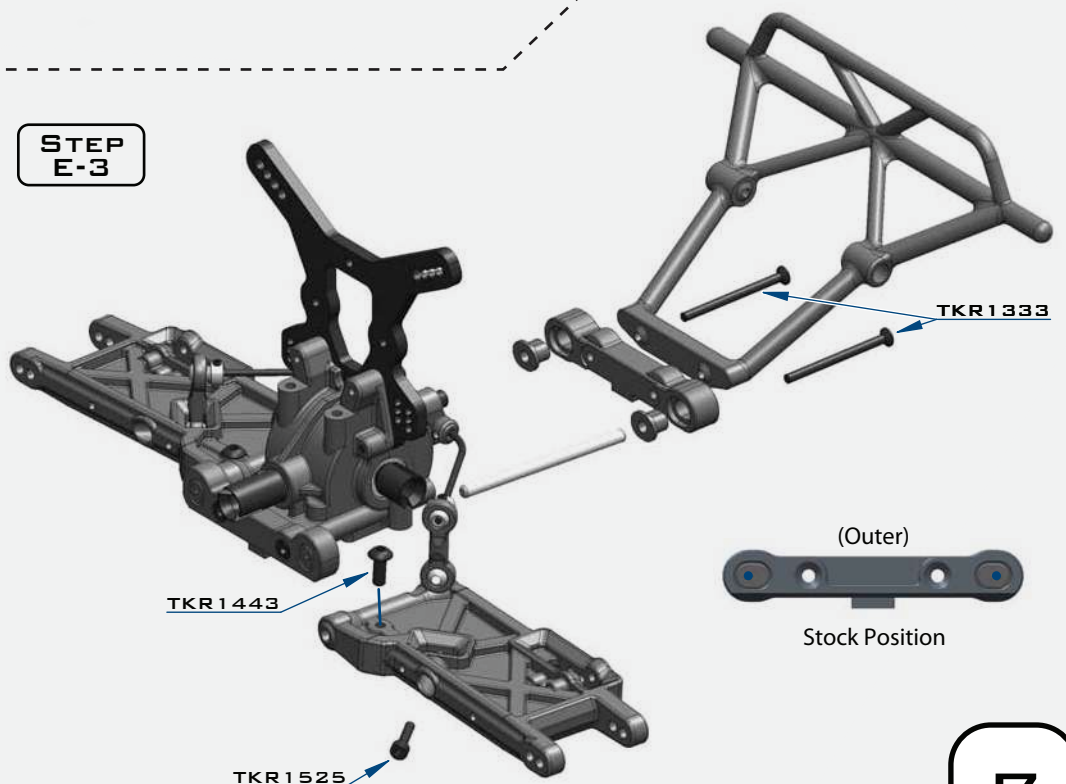
TKR5049  
PIVOT BALL SWAY BAR



x2

TKR5079  
STABILIZER BALL

### STEP E-3

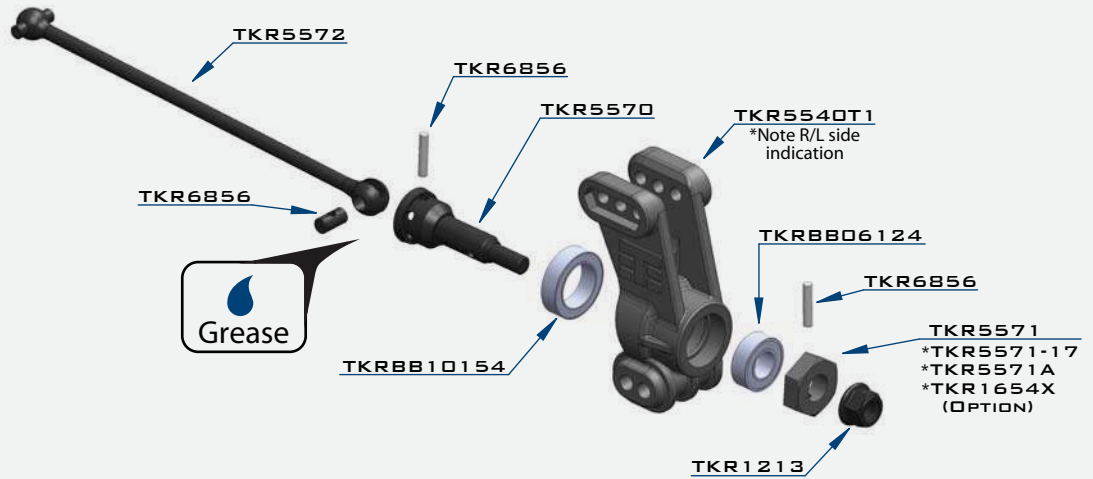


Stock Position

# BAG F

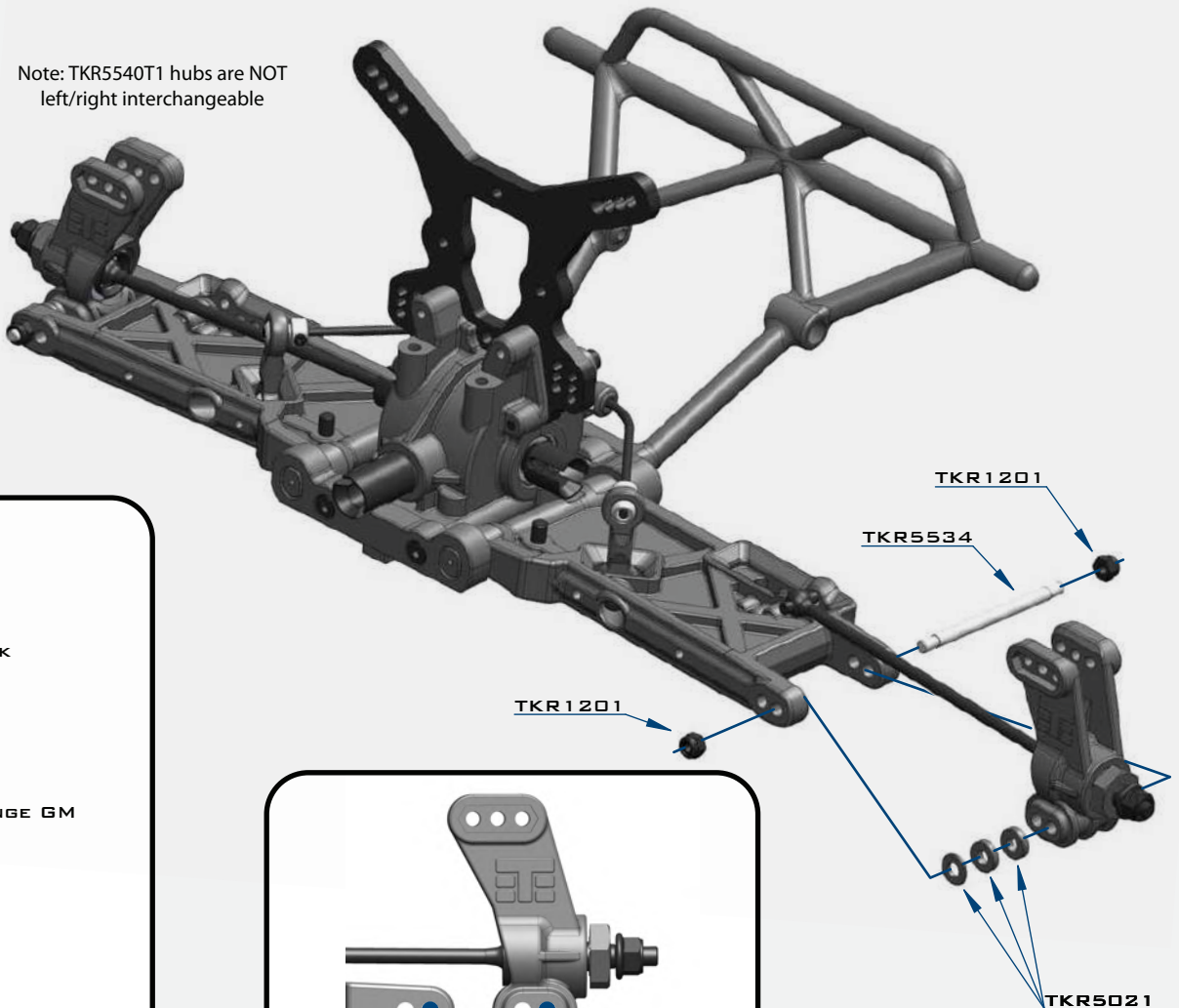
## REAR HUB/CVA ASSEMBLY

**STEP F-1**



**STEP F-2**

Note: TKR5540T1 hubs are NOT left/right interchangeable



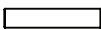
x4

TKR1201  
M3 LOCKNUT BLACK



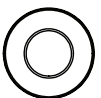
x2

TKR1213  
M4 LOCK NUT FLANGE GM



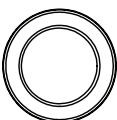
x4

TKR6856  
CV JOINT PIN



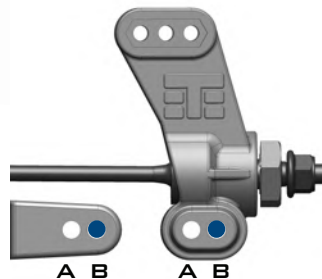
x2

TKRBB06124  
BALL BEARING (6X12X4)



x2

TKRBB10154  
BALL BEARING (10X15X4)



Hole "B" is the stock position

\*Only use hole A in the arm with hole A in the hub

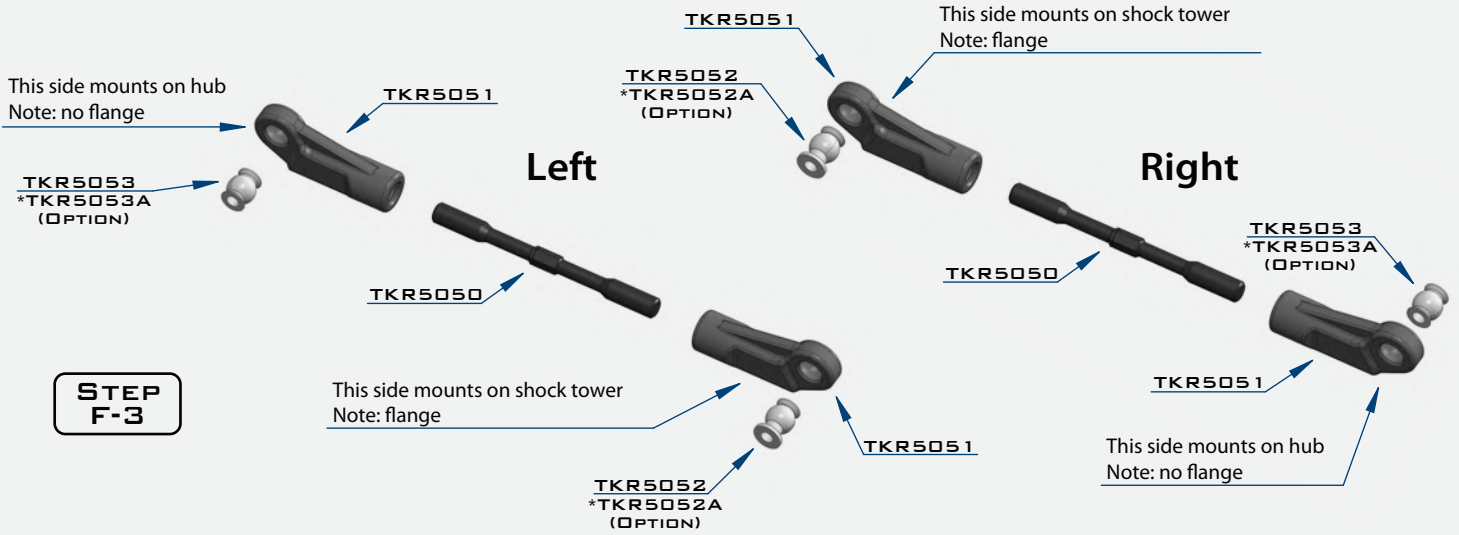
\*Only use hole B in the arm with hole B in the hub

The outside hole offers greater stability and is recommended for bumpy open tracks. Inside hole offers greater amount of steering and is recommended for flat technical tracks.



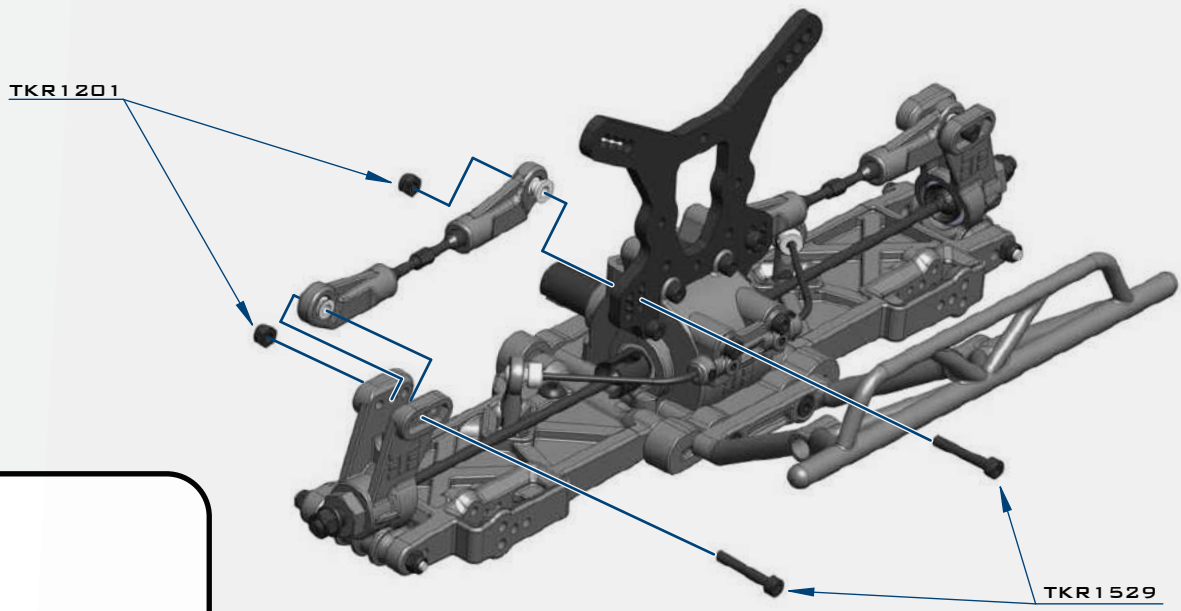
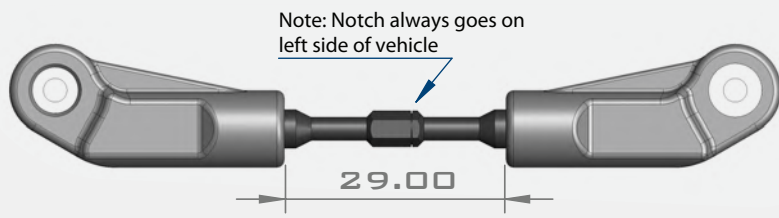
# BAG F


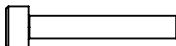


## REAR CAMBER LINKS

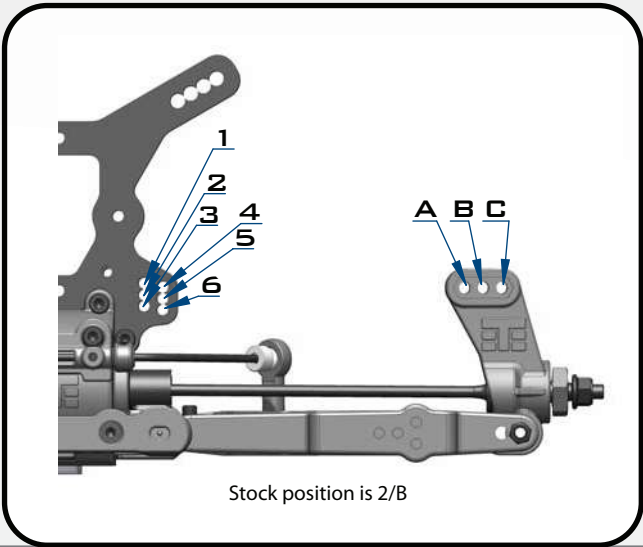


**STEP F-3**

**STEP F-4**



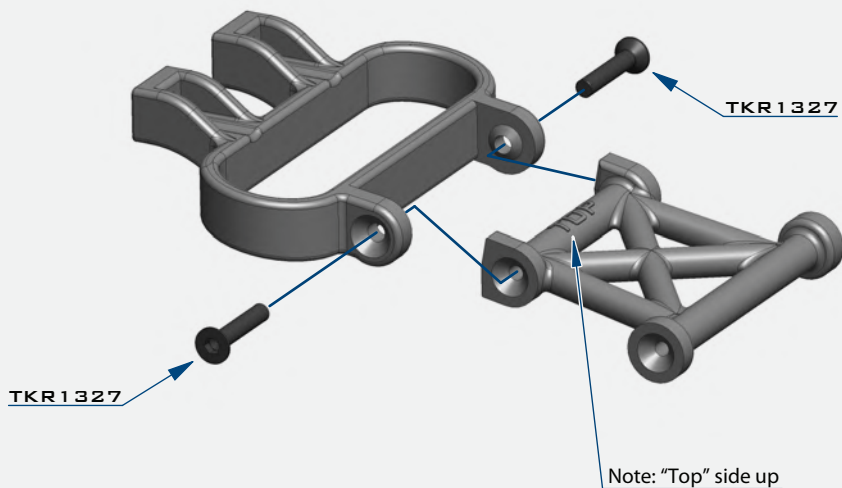
-  x4  
TKR1201  
M3 LOCKNUT BLACK
-  x4  
TKR1529  
M3X20MM CAP HEAD SCREW
-  x2  
TKR5052  
PIVOT BALL M3X6.8MM
-  x2  
TKR5053  
PIVOT BALL M3X6.8MM  
NO FLANGE



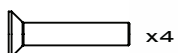
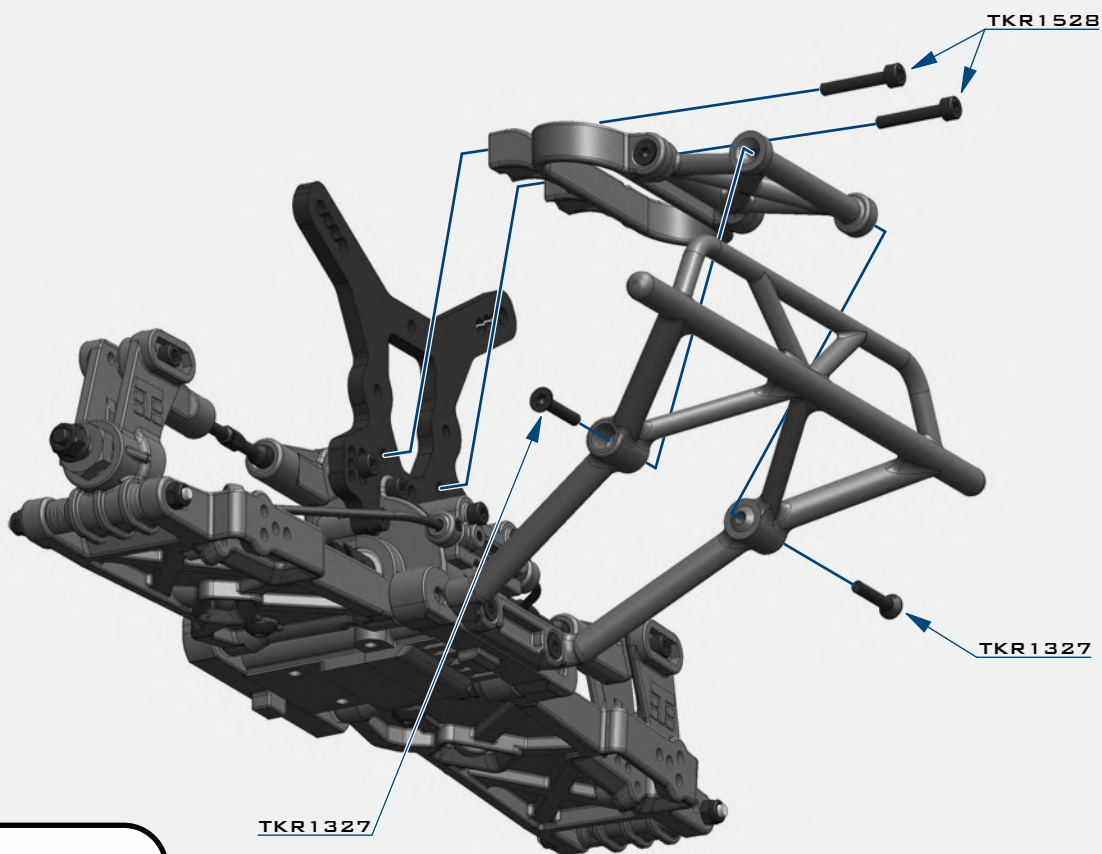
# BAG F

## REAR BUMPER

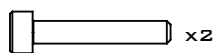
STEP  
F-5



STEP  
F-6



TKR1327  
M3X16MM FLAT HEAD SCREW



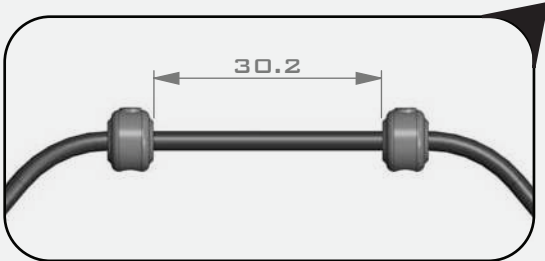
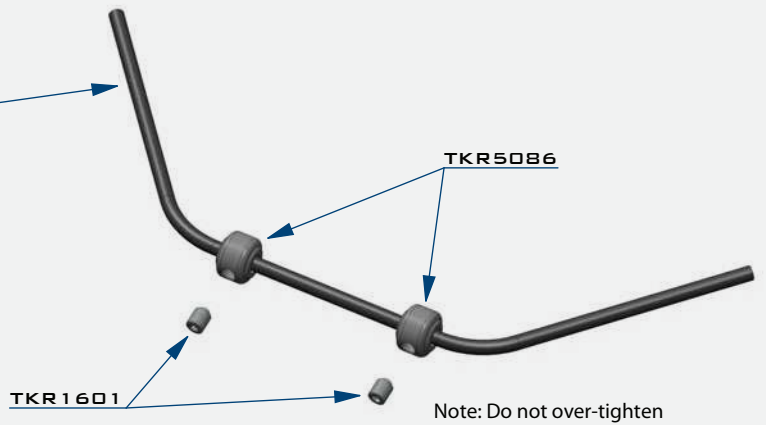
TKR1528  
M3X18MM CAP HEAD SCREW

# BAG G

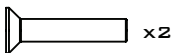
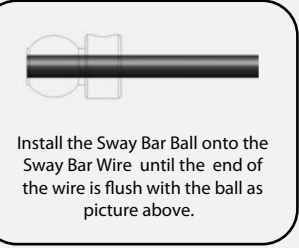
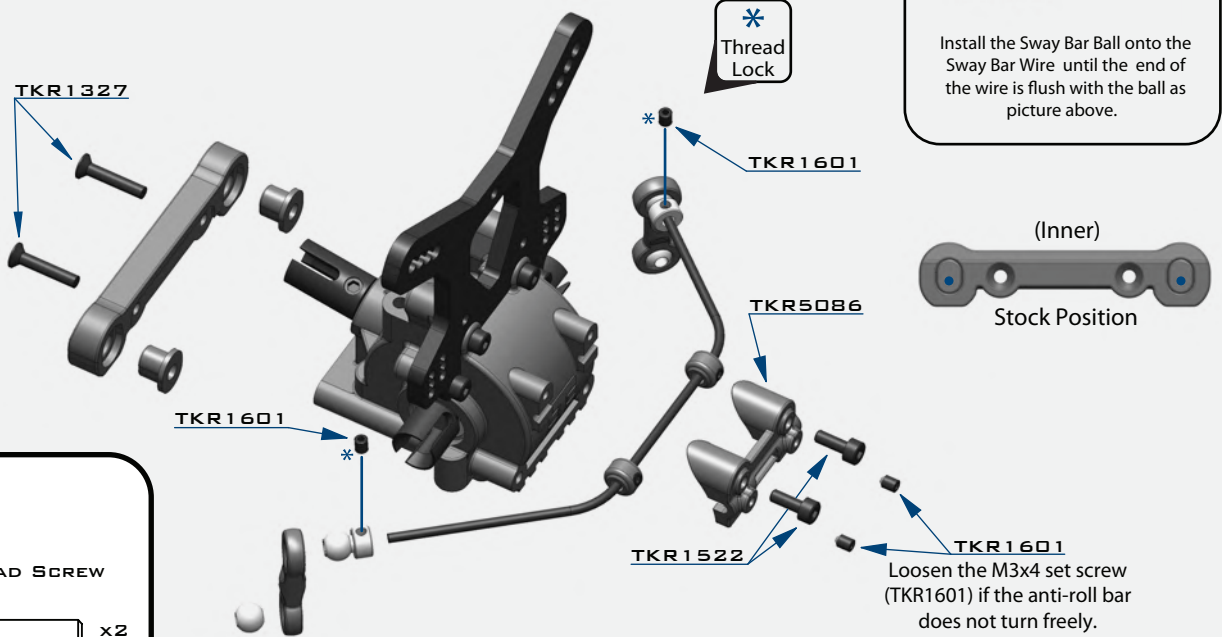
## FRONT END

### STEP G-1

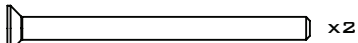
- TKR5081 - 2.3MM (OPTION)
- \*TKR5080 - 2.2MM
- \*TKR5082 - 2.4MM
- \*TKR5083 - 2.5MM
- \*TKR5084 - 2.6MM
- \*TKR5085 - 2.8MM
- \*TKR5087 - 3.0MM



### STEP G-2



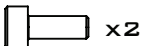
TKR1327  
M3x16MM FLAT HEAD SCREW



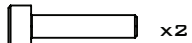
TKR1333  
M3x40MM FLAT HEAD SCREW



TKR1443  
M4x10MM BUTTON HEAD SCREW



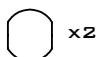
TKR1522  
M3x8MM CAP HEAD SCREW



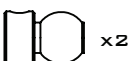
TKR1525  
M3x14MM CAP HEAD SCREW



TKR1601  
M3x4MM SET SCREW

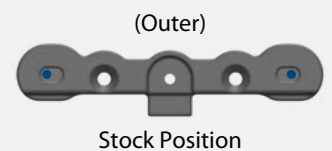
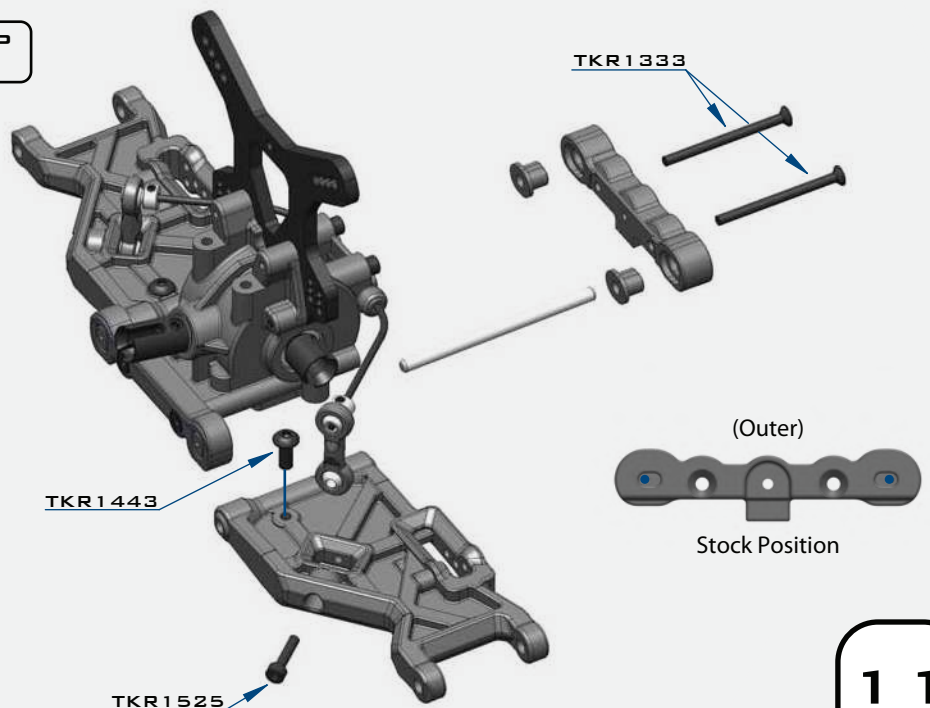


TKR5049  
PIVOT BALL SWAY BAR



TKR5079  
STABILIZER BALL

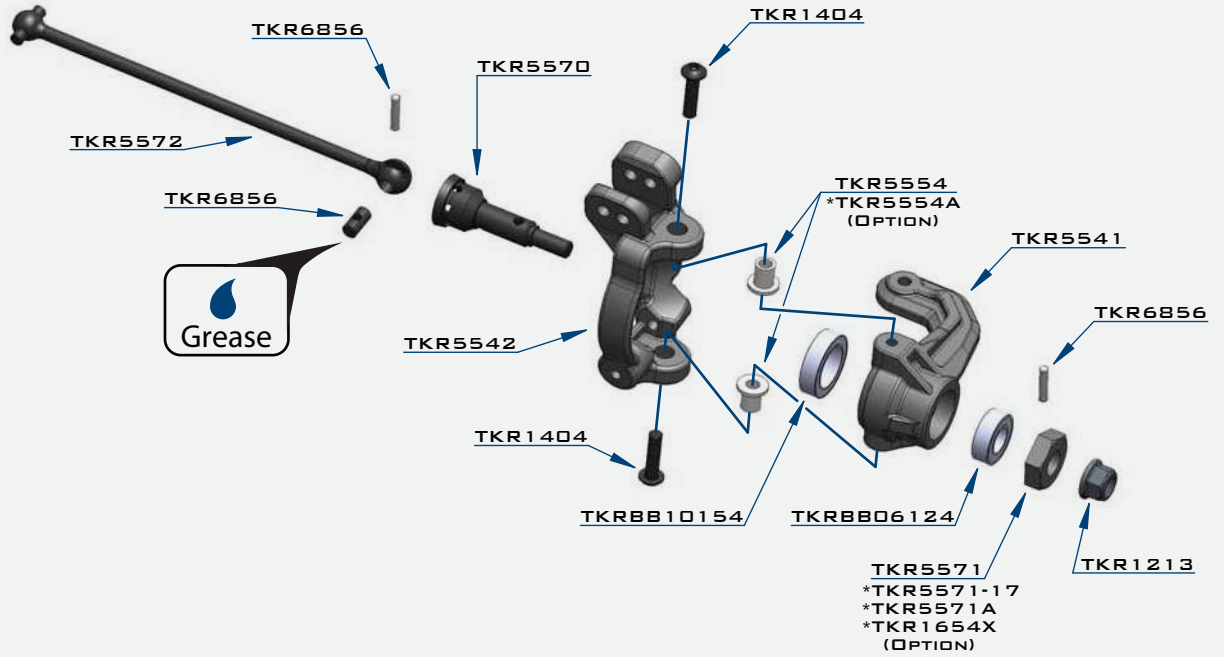
### STEP G-3



# BAG H

## FRONT STEERING

**STEP  
H-1**



x2

TKR1213  
M4 LOCK NUT FLANGE BLACK



x4

TKR1404  
M3X12MM BUTTON HEAD SCREW



x4

TKR1407  
M3X16MM BUTTON HEAD SCREW



x4

TKR5554  
SPINDLE PIN SLEEVE



x4

TKR5555  
SUSPENSION PIN SLEEVE



x4

TKR6856  
CV JOINT PIN



x2

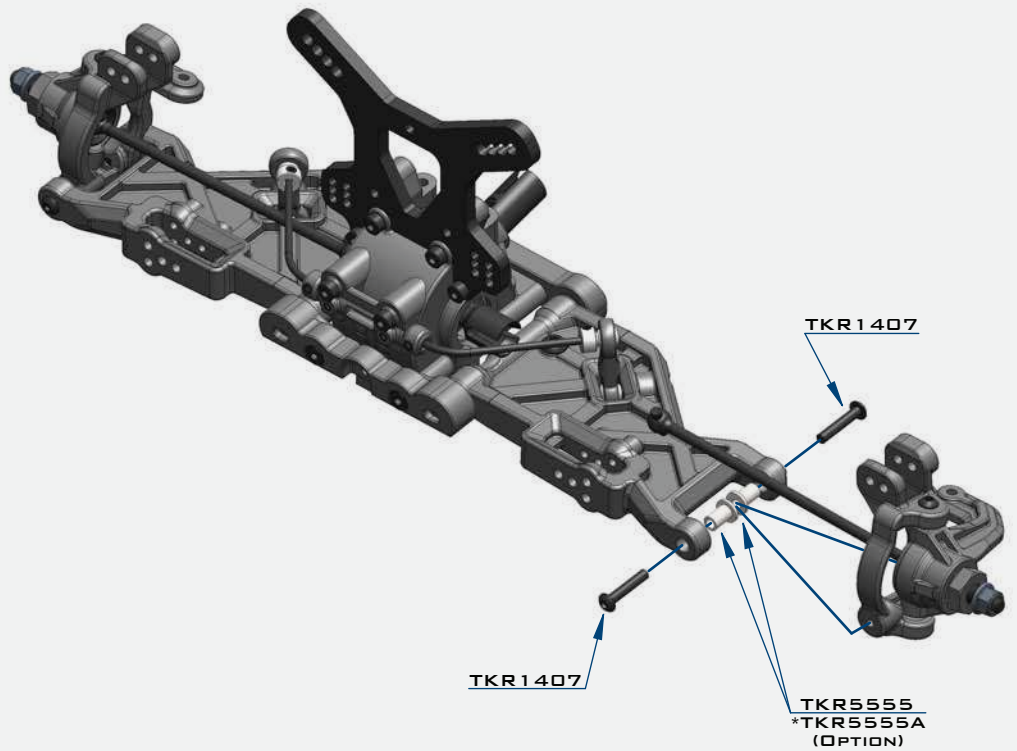
TKRBB06124  
BALL BEARING (6X12X4)



x2

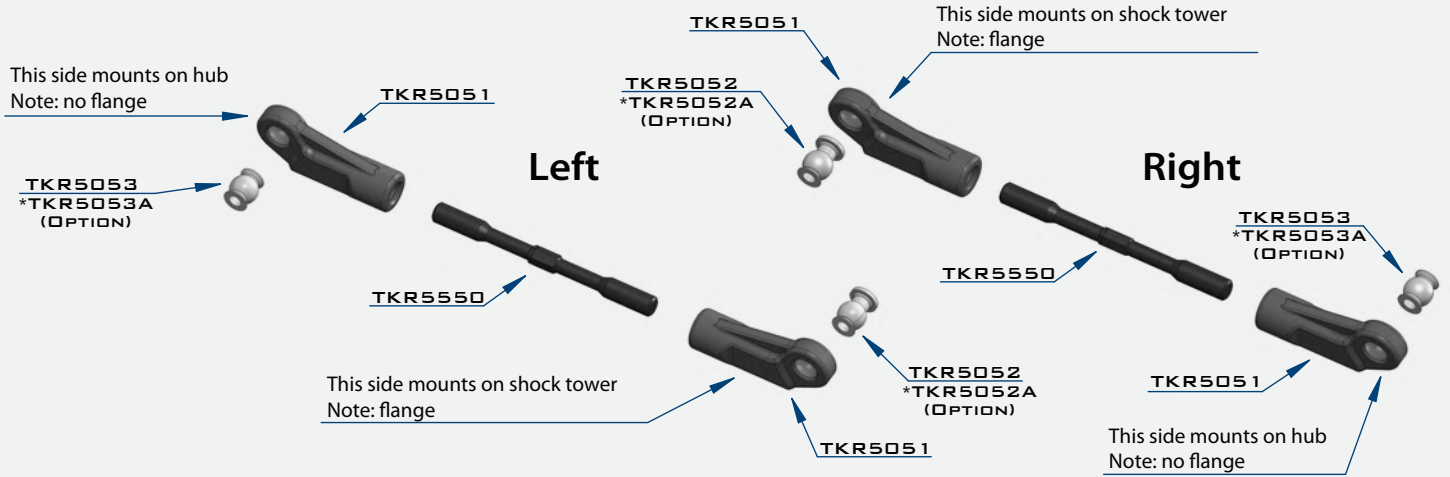
TKRBB10154  
BALL BEARING (10X15X4)

**STEP  
H-2**

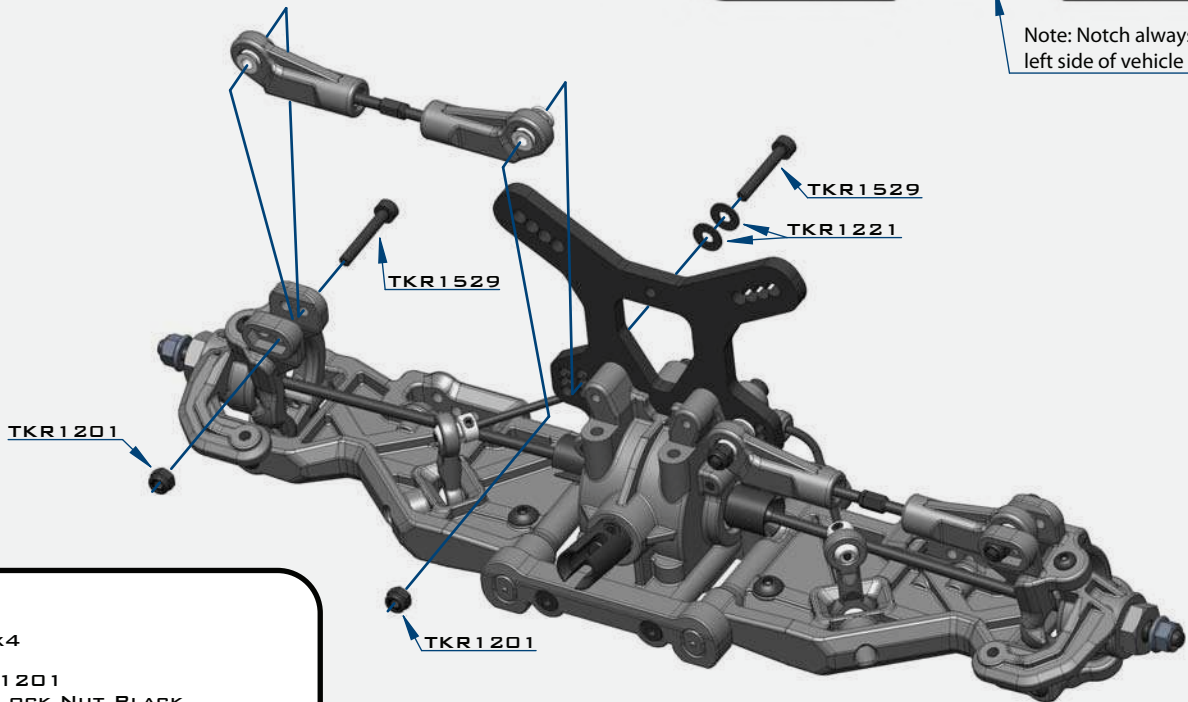
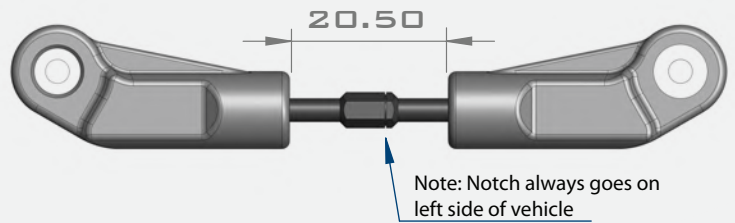


# BAG H

## FRONT CAMBER LINKS



### STEP H-3



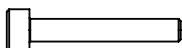
x4

TKR1201  
M3 LOCK NUT BLACK



x4

TKR1221  
M3x8MM WASHER



x4

TKR1529  
M3x20MM CAP HEAD SCREW



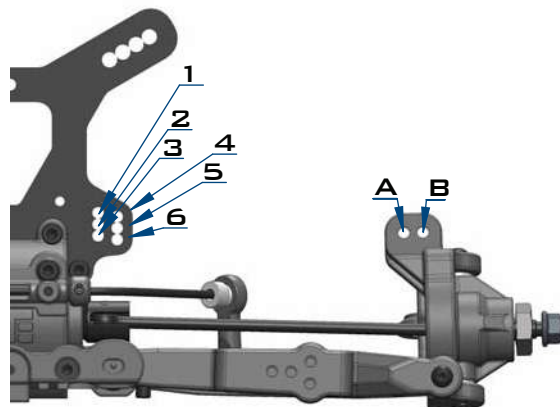
x2

TKR5052  
PIVOT BALL M3x6.8MM



x2

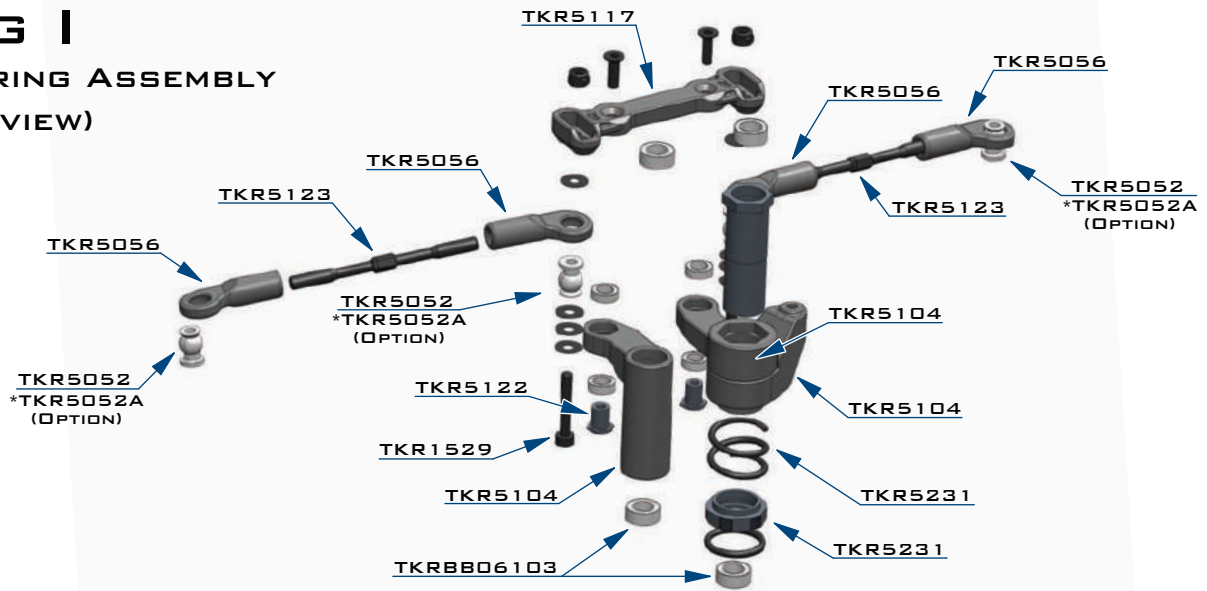
TKR5053  
PIVOT BALL M3x6.8MM  
NO FLANGE



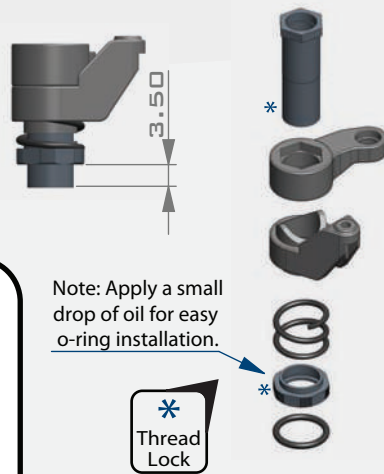
Stock position is 2/A

# BAG I

## STEERING ASSEMBLY (OVERVIEW)



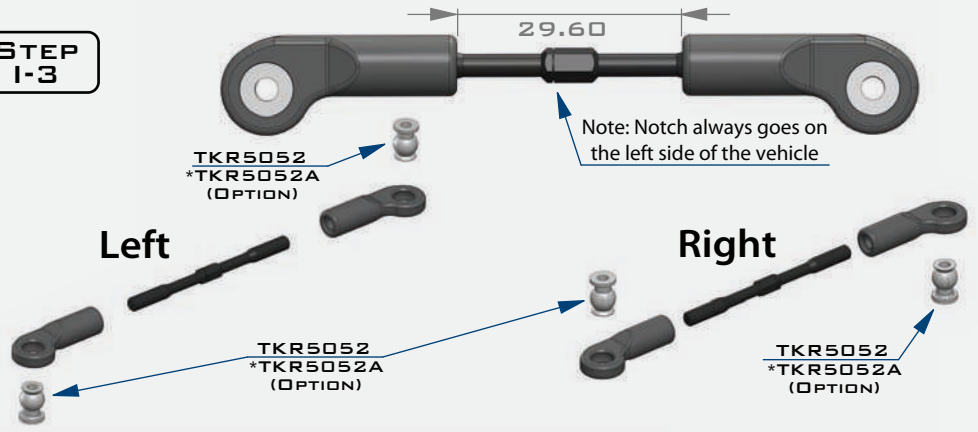
### STEP I-1



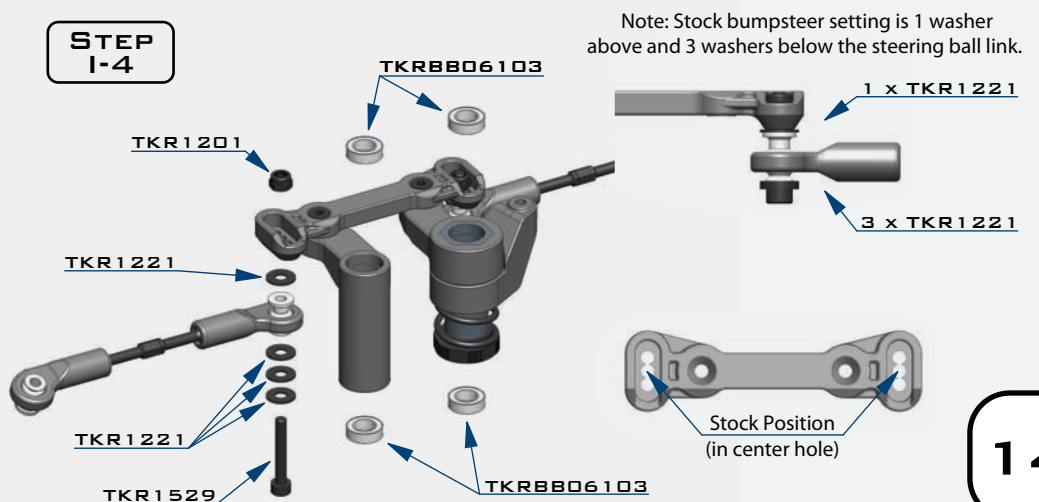
### STEP I-2



### STEP I-3



### STEP I-4



x2

TKR1201  
M3 LOCK NUT BLACK



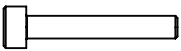
x8

TKR1221  
M3x8MM WASHER



x2

TKR1323  
M3x10MM FLAT HEAD SCREW



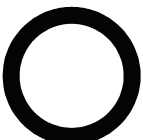
x2

TKR1529  
M3x20MM CAP HEAD SCREW



x4

TKR5052  
PIVOT BALL M3x6.8MM



x1

TKR5231  
O-RING 16x12x2



x4

TKRBB050825  
BALL BEARING (5x8x2.5)



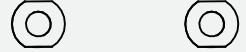
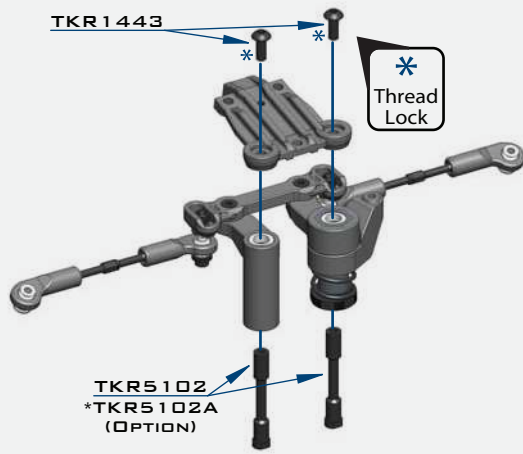
x4

TKRBB06103  
BALL BEARING (6x10x3)

# BAG J

## FRONT END ASSEMBLY

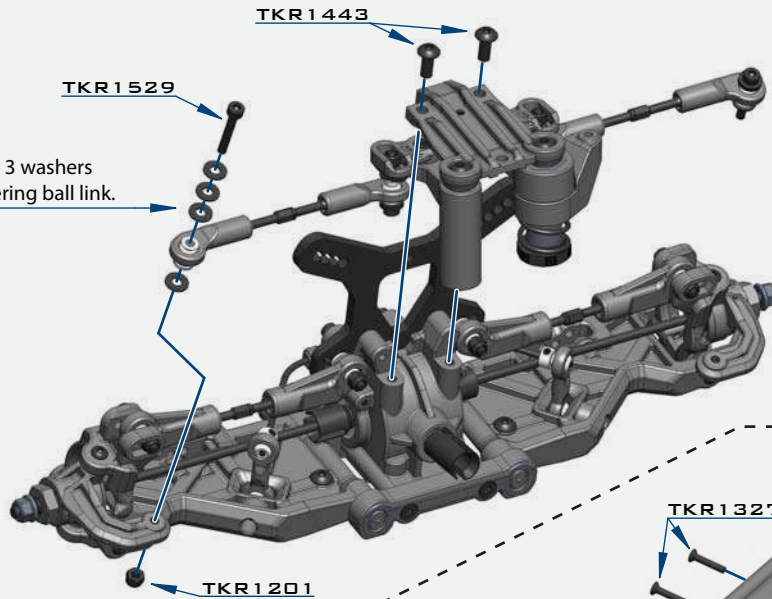
### STEP J-1



Note Step J-2:  
Line up the bottom of the steering posts (TKR5102) with the corresponding recess cut in the chassis.

### STEP J-2

Note: Initial bumpsteer setting is 3 washers above and 1 washer below the steering ball link.



Note: on steps J-1, J-2 and J-4 Do not tighten the chassis screws all the way down until the assembly steps are complete. Position the entire front assembly on the chassis and tighten each screw evenly.

x2  
TKR1201  
M3 LOCK NUT BLACK

x8  
TKR1221  
M3x8MM WASHER

x2  
TKR1327  
M3x16MM FLAT HEAD SCREW

x2  
TKR1343  
M4x10MM FLAT HEAD SCREW

x4  
TKR1344  
M4x12MM FLAT HEAD SCREW

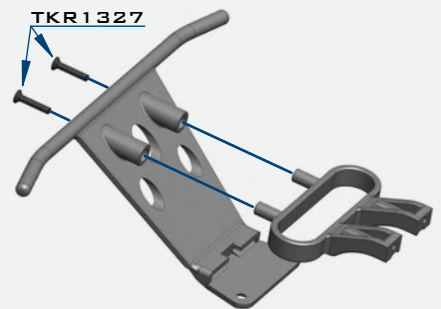
x2  
TKR1346  
M4x15MM FLAT HEAD SCREW

x5  
TKR1443  
M4x10MM BUTTON HEAD SCREW

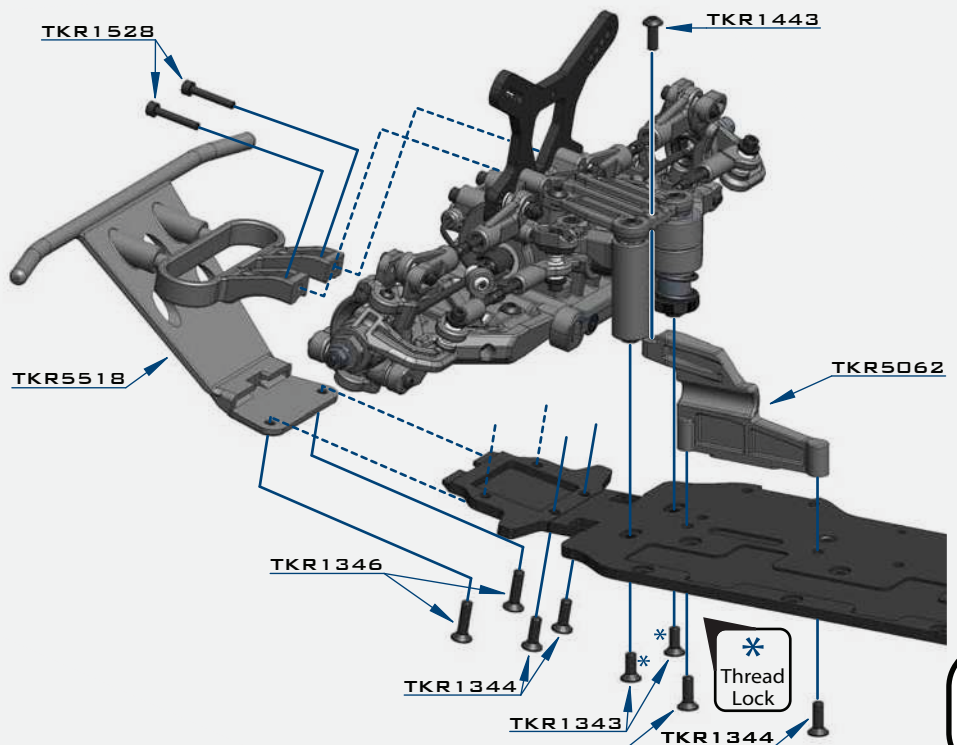
x2  
TKR1528  
M3x18MM CAP HEAD SCREW

x2  
TKR1529  
M3x20MM CAP HEAD SCREW

### STEP J-3



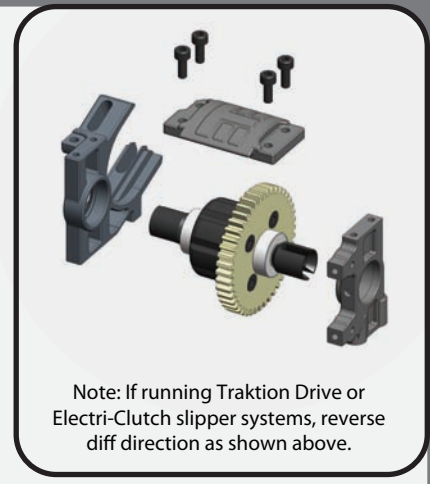
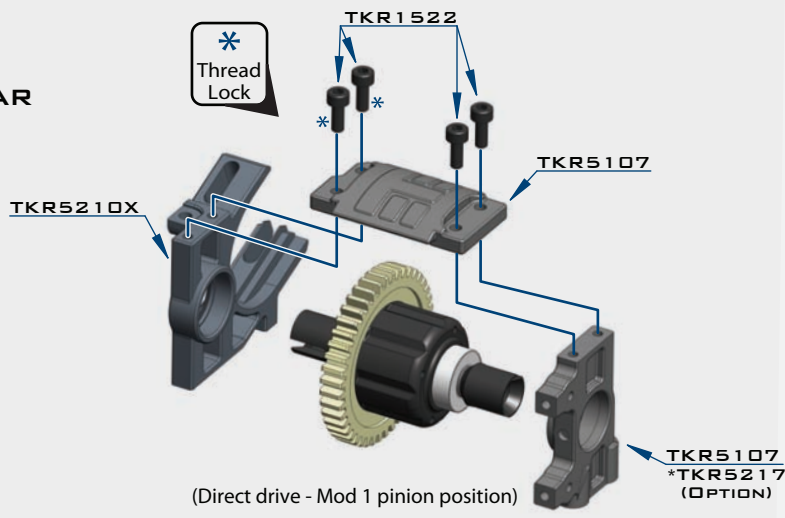
### STEP J-4



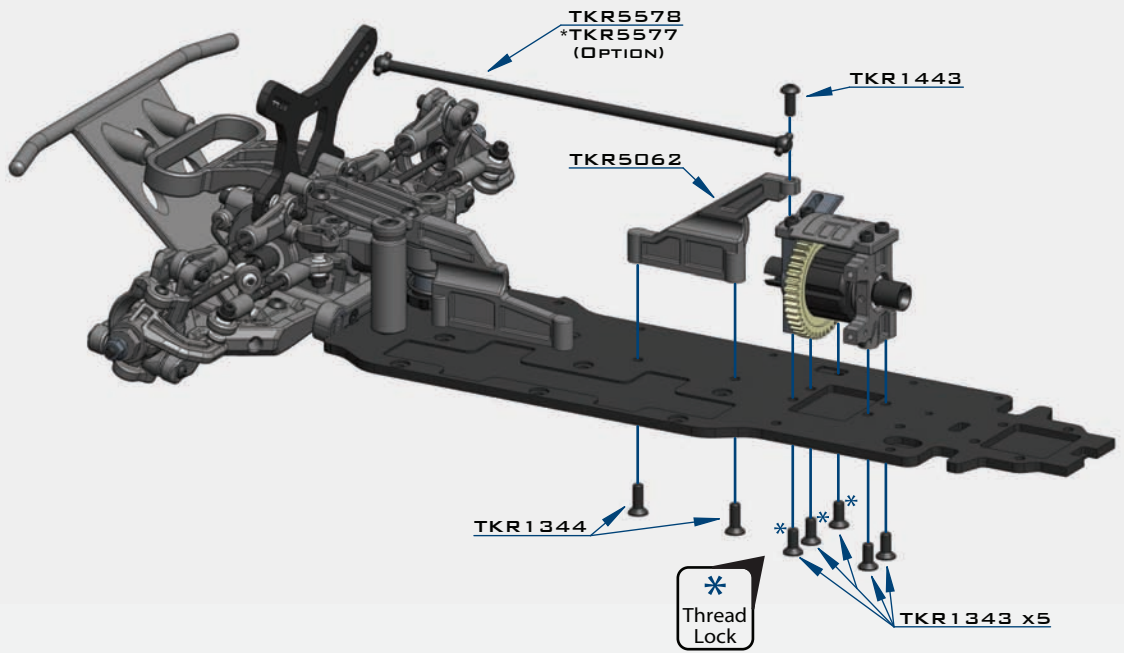
# BAG K

## CENTER/REAR ASSEMBLY

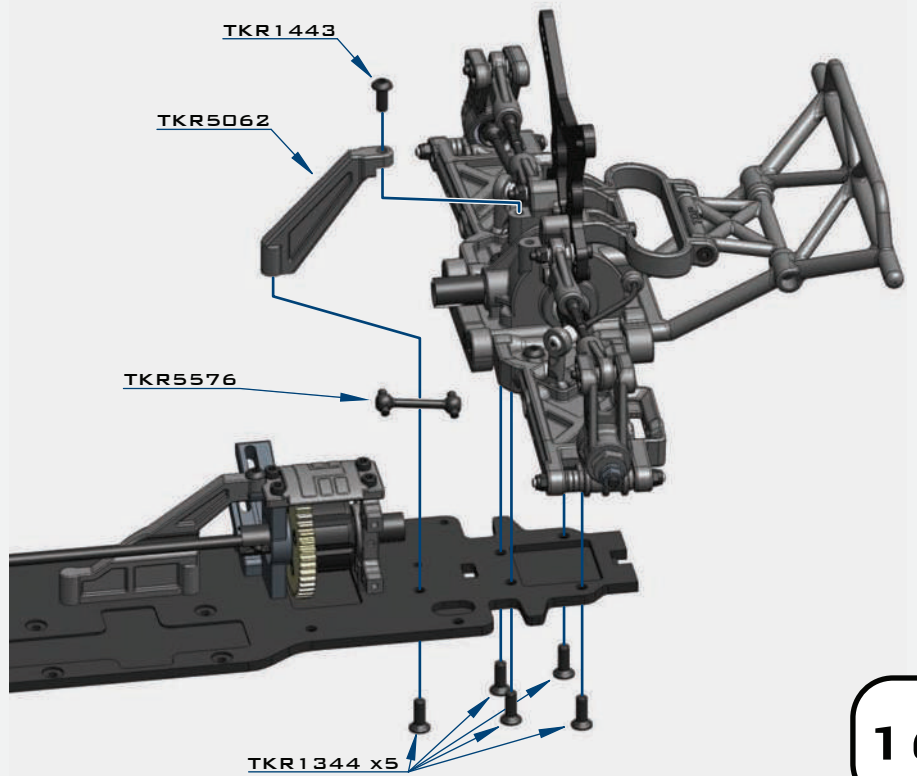
**STEP K-1**

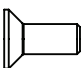
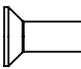
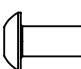



**STEP K-2**



**STEP K-3**



-  x5  
TKR1343  
M4x10MM FLAT HEAD SCREW
-  x7  
TKR1344  
M4x12MM FLAT HEAD SCREW
-  x2  
TKR1443  
M4x10MM BUTTON HEAD SCREW
-  x4  
TKR1522  
M3x8MM CAP HEAD SCREW



# SHOCK FILLING INSTRUCTIONS

## FOR BOTH FRONT AND REAR SHOCKS

The following steps and information will provide you with the proper way to fill and bleed your shocks. After thorough testing, we've found it's easiest to complete steps 1 through 3 on each shock before moving onto step 4. By the time you've finished step 3 on the last shock the first one will be ready for step 4.

### **Standard or Vented Cap Build:**

Step 1. Extend the shock shaft all the way down. Fill the shock with oil until the body is approximately 90% full.

Step 2. Slowly pump the shock shaft up and down 3-5 times to release air bubble from underneath the piston.

Step 3. Let the shock rest vertically with the shock shaft fully extended for five minutes or until all the air bubbles have released.

Step 4. Push the shaft in for the amount of rebound desired. For example, to achieve 0% rebound push the shaft in all the way (in this case, about ¼" of shaft showing). For 50% rebound, push the shaft in half way. Make sure that you match the rebound amount between the left and right shocks. We've found that running 0% rebound in both front and rear shocks gives great overall performance.

Step 5. Next you will top off the shock with oil. The goal is not to fill the body to the brim but only to fill it enough so that when the bladder is placed on top there will be no air underneath. If you do overfill the shock, it won't hurt performance, it will just spill out and make a little bit of a mess.

Step 6. In this step you will be placing the bladder on top of the shock body. While holding the shock shaft in the desired position from step 4, push the bladder down onto the shock body using your fingertip to fully seat the lip of the bladder onto the rim of the shock body. If done correctly a small amount of oil should bleed out. If no oil is released you may have some air trapped underneath the bladder and you will need to remove the bladder and repeat step 5. Once the bladder is seated onto the shock body, pull the shock shaft down about 20mm. This will "suck" the bladder down and hold it in place. Carefully wipe away the excess oil that was bled, being careful not to disrupt the seal of the bladder on the shock body.

Step 7. While continuing to hold the shock vertically, screw the shock cap down onto the body and tighten fully. The cap will bottom out easily, but the bladder will be sealed tight. You can use an adjustable wrench to hold the bottom of the shock while tightening the shock cap down to be sure they are tight.

### **Emulsion Build:**

Prep your shock caps TKR6018 (optional for EB48) accordingly by drilling out the large angled bleeder hole in the top of the cap. Place the larger thin o-rings around the base of the threads where the shock cap screws on (see diagram). This will seal the cap and the shock body.

Follow steps 1-3 above.

Step 4. Rebound is more of a natural side effect of an emulsion shock. It's not something that can be set accurately because you run the risk of hydrolocking the shock if you do not push the shaft all the way in when you bleed it. For now leave the shaft fully extended.

Step 5. Fill the shock all the way to the top, going over just slightly without spilling to create a small dome.

Step 6. Place a little bit of oil in the shock cap and quickly put the shock cap on the shock body. Tighten the cap all the way down. Very slowly push the shaft in. Oil will start to bleed out of the top of the cap. While wiping away excess oil, continue to slowly push the shaft in ALL THE WAY. If no oil comes out when the shaft is fully inserted, you will need to add more oil and repeat the step. Use the supplied M4x6mm flat head screw and TKR5125 o-ring to seal the cap.

Use part #'s TKR6008 (pistons and guides) and TKR6009 (o-ring pack) to rebuild your shocks regularly.

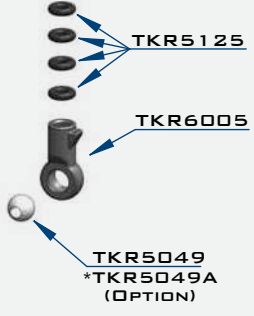
# BAG L

## FRONT SHOCK ASSEMBLY

### STEP L-1

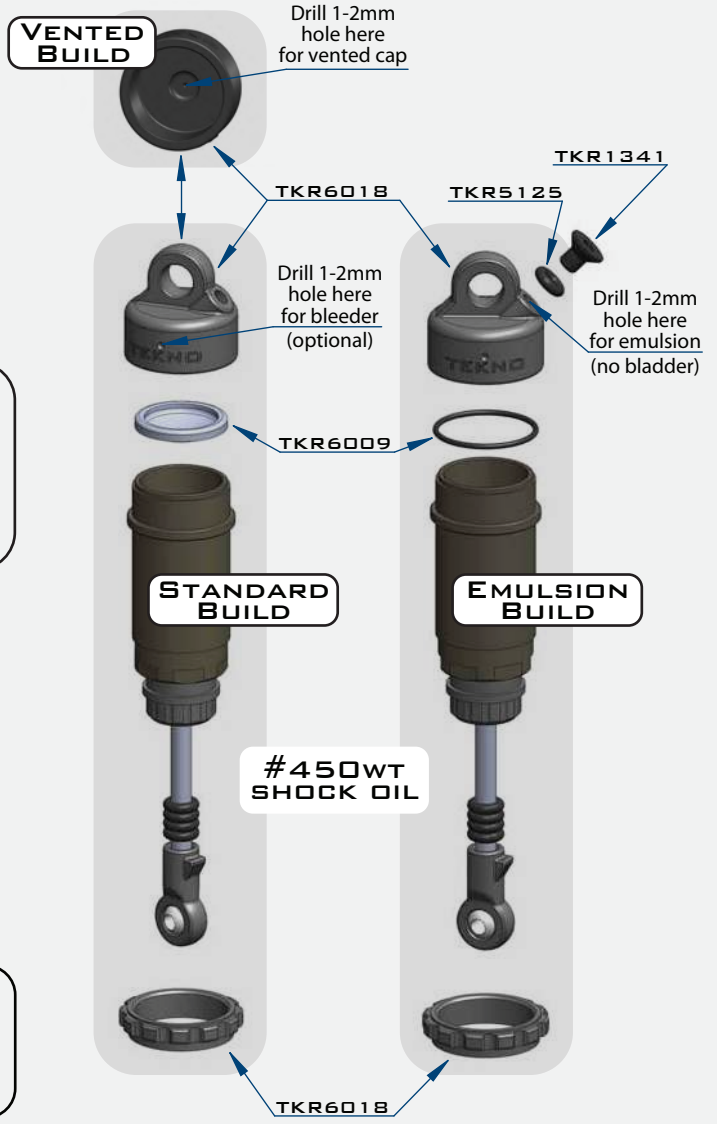


Note: Use green slime or oil on shock shaft threads AND O-rings to prevent tearing and leaking.

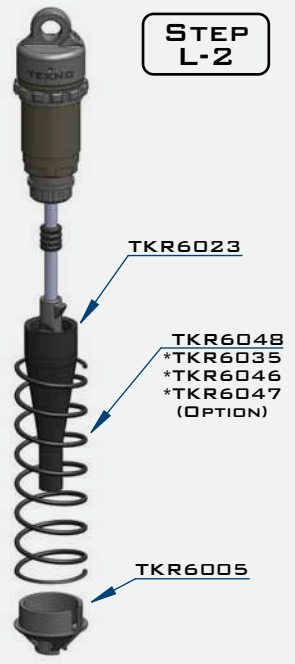









Note: front shocks use shorter shock bodies - TKR6002, shorter shock shafts - TKR6004, shorter springs - TKR6048 and shorter shock boots - TKR6023

### SHOCK BUILDING OPTIONS

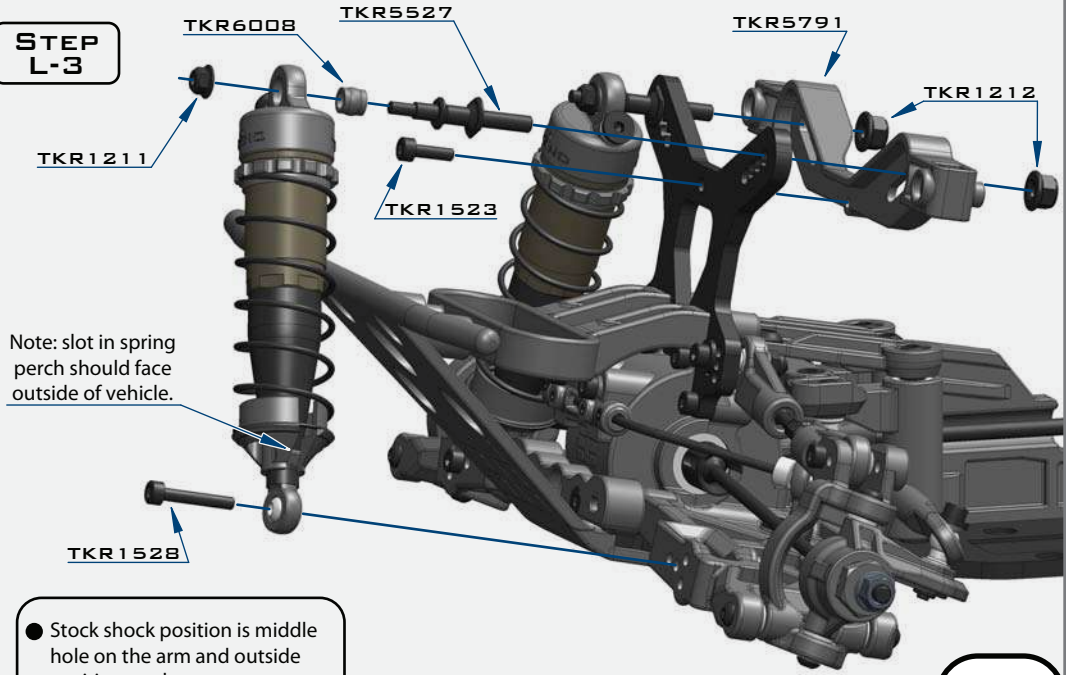


### STEP L-2



-  x2  
TKR1200  
Hex 4035 - M2.5
-  x2  
TKR1211  
M3 Lock Nut Flange Black
-  x2  
TKR1212  
M4 Lock Nut Flange
-  x2  
TKR1341  
M4x6mm Flat Head Screw
-  x1  
TKR1523  
M3x10mm Cap Head Screw
-  x2  
TKR1528  
M3x18mm Cap Head Screw
-  x10  
TKR5125  
O-RING 3x7mm

### STEP L-3



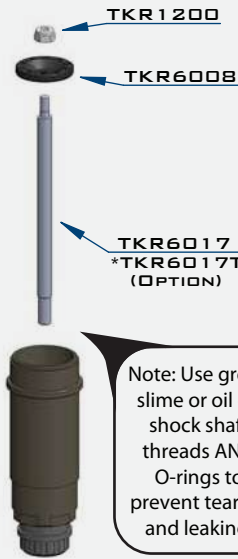
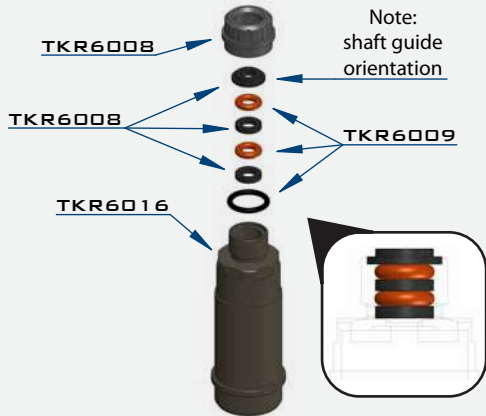
Note: slot in spring perch should face outside of vehicle.

- Stock shock position is middle hole on the arm and outside position on the tower.
- Stock front ride height is 25mm.
- Shock length (droop) is 102mm.

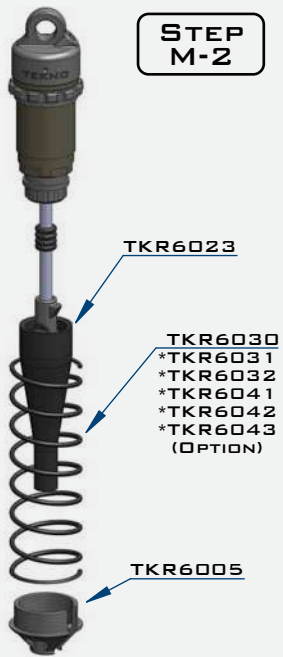
# BAG M

## REAR SHOCK ASSEMBLY

### STEP M-1



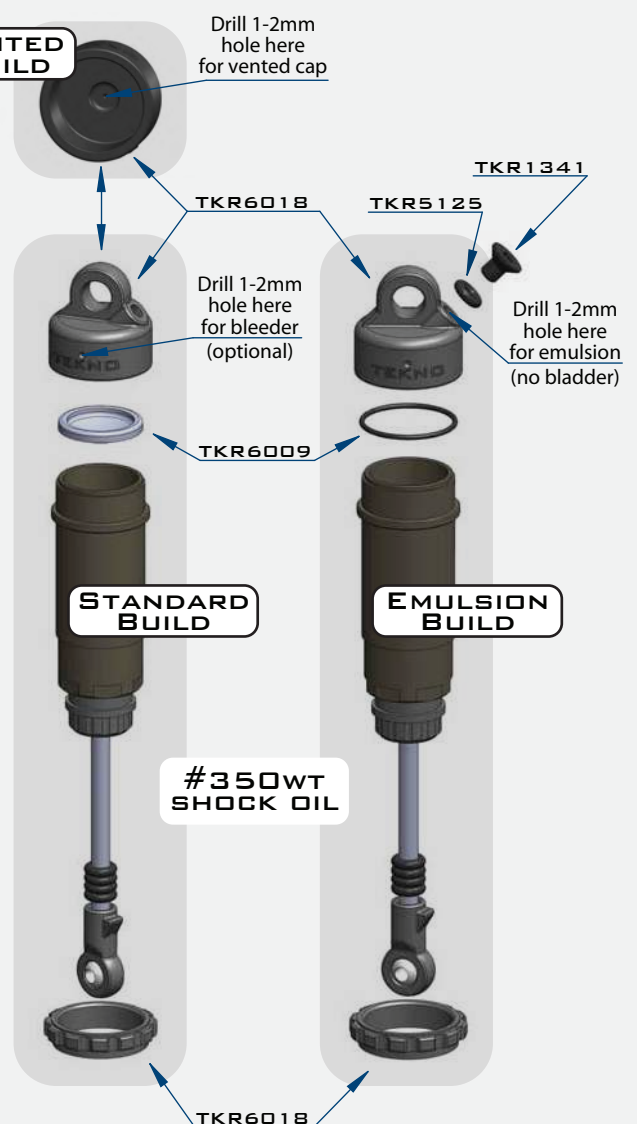
### STEP M-2






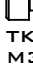



Note: rear shocks use longer shock bodies - TKR6016, longer shock shafts - TKR6017, longer springs - TKR6030 and longer shock boots - TKR6023

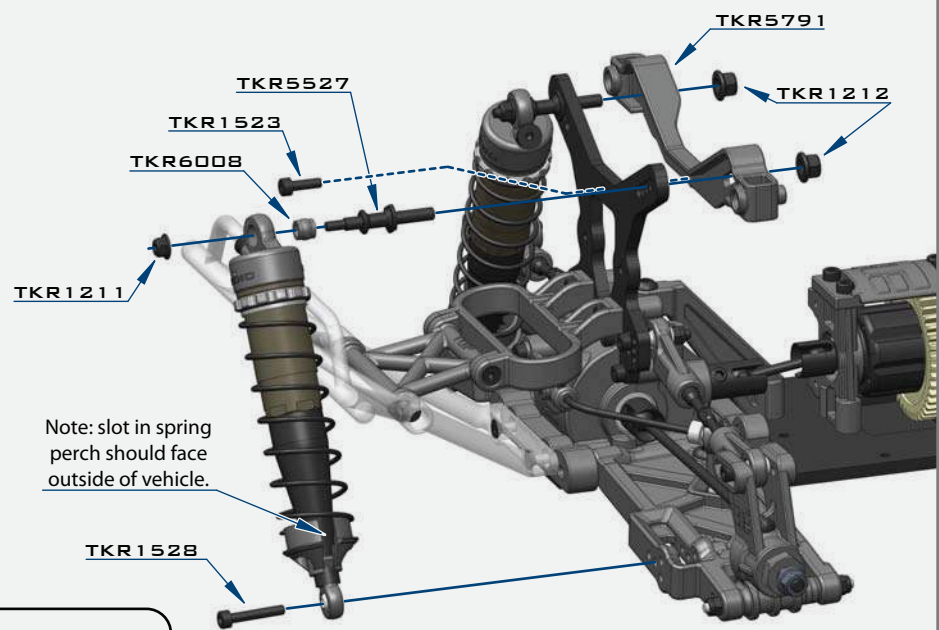
## SHOCK BUILDING OPTIONS

### VENTED BUILD



-  x2  
TKR1200  
Hex 4035 - M2.5
-  x2  
TKR1211  
M3 Lock Nut Flange Black
-  x2  
TKR1212  
M4 Lock Nut Flange
-  x2  
TKR1341  
M4x6mm Flat Head Screw
-  x1  
TKR1523  
M3x10mm Cap Head Screw
-  x2  
TKR1528  
M3x18mm Cap Head Screw
-  x10  
TKR5125  
O-Ring 3x7mm

### STEP M-3

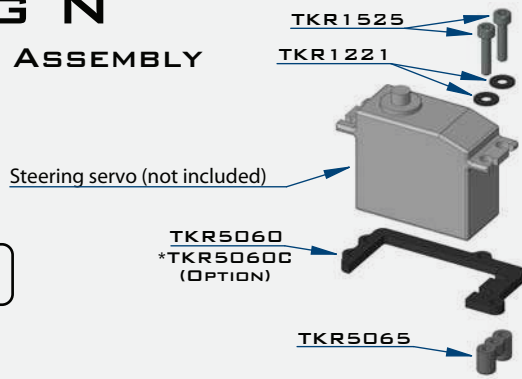


- Stock shock position is middle hole on the arm and 2nd from outside position on the tower.
- Stock front ride height is 25mm.
- Shock length (droop) is 120mm.

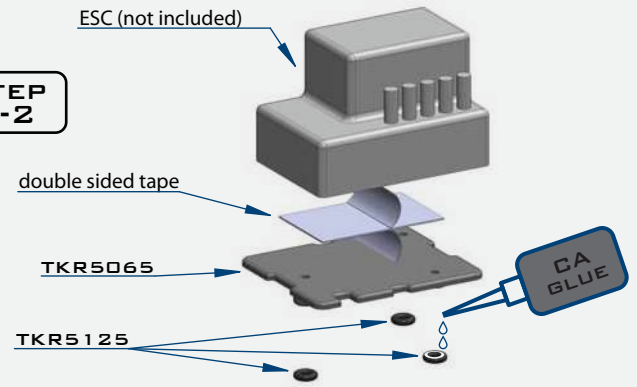
# BAG N

## FINAL ASSEMBLY

### STEP N-1

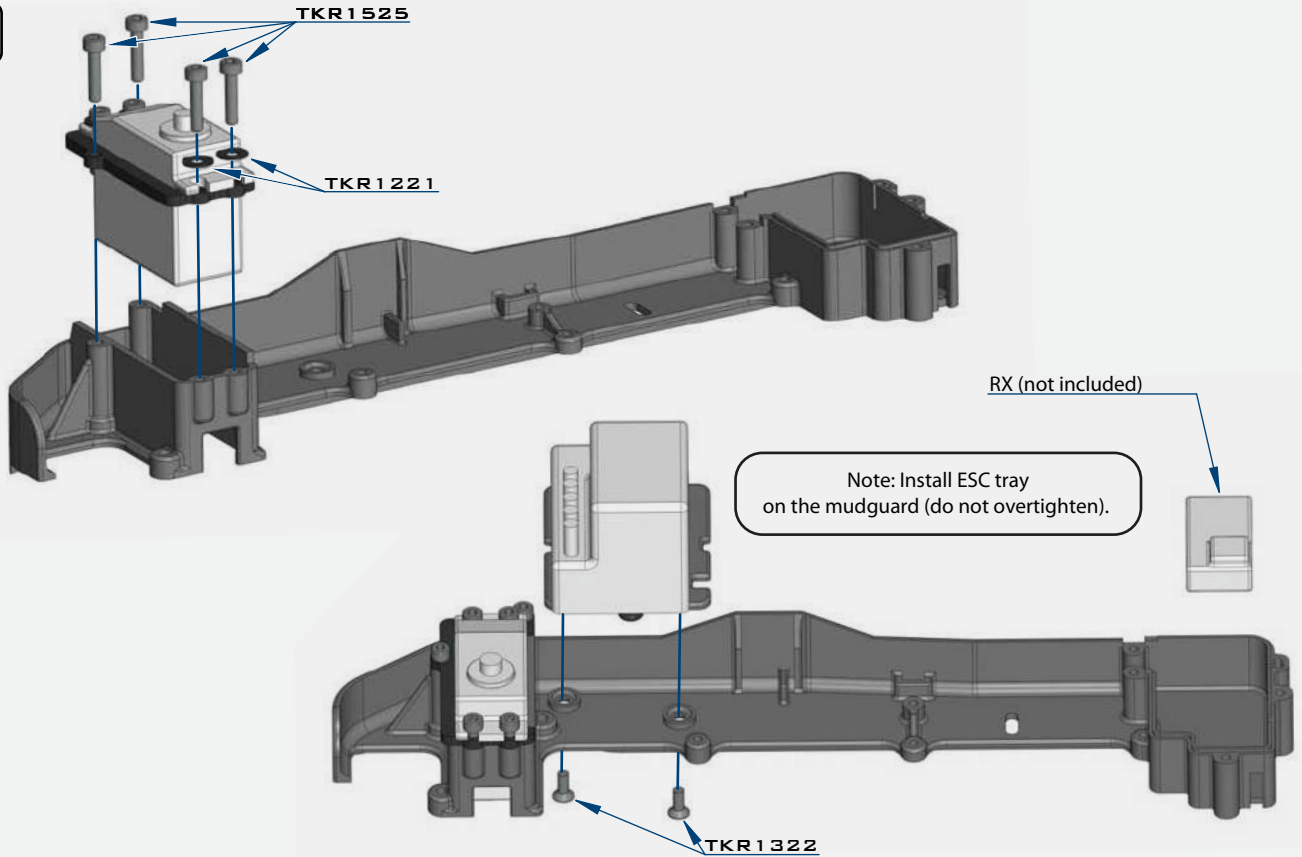


### STEP N-2



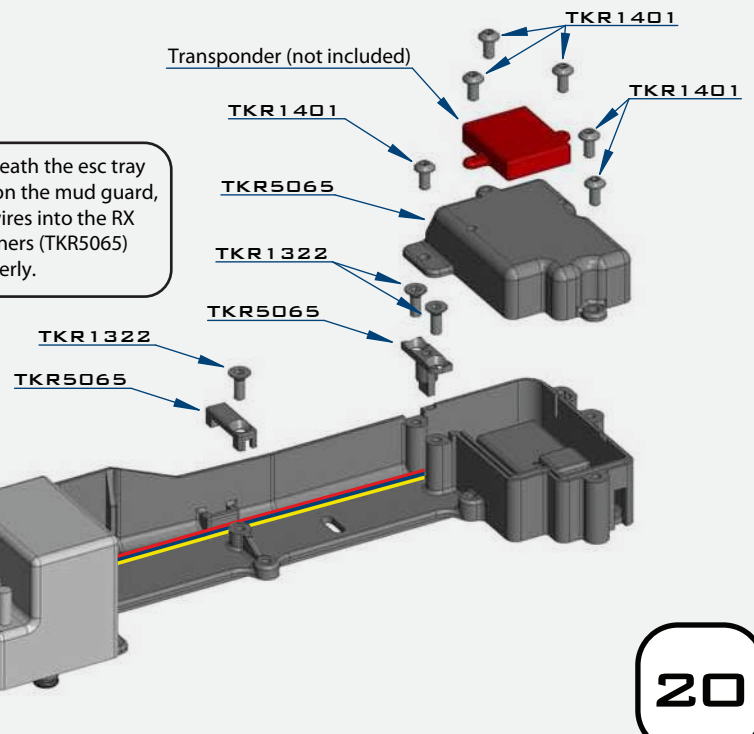
Note: CA glue 3 black o-rings (TKR5125) to the bottom legs of the ESC tray.

### STEP N-3



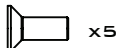
### STEP N-4

Note: Feed the servo wire underneath the esc tray in between the mounting screws on the mud guard, then feed both ESC and servo wires into the RX box as shown. Install wire retainers (TKR5065) to secure them properly.



x4

TKR1221  
M3X8MM WASHER



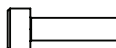
x5

TKR1322  
M3X8MM FLAT HEAD SCREW



x6

TKR1401  
M3X6MM BUTTON HEAD SCREW



x6

TKR1525  
M3X14MM CAP HEAD SCREW



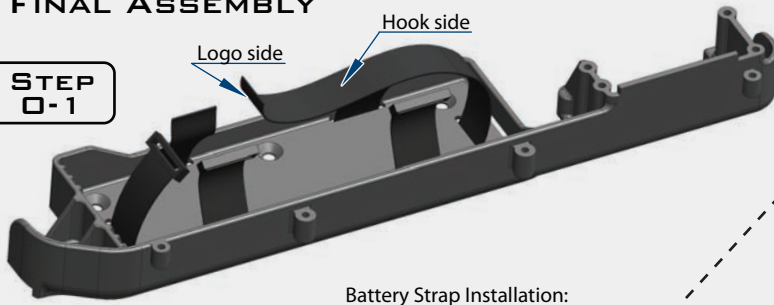
x3

TKR5125  
O-RING 3X7MM

# BAG 0

## FINAL ASSEMBLY

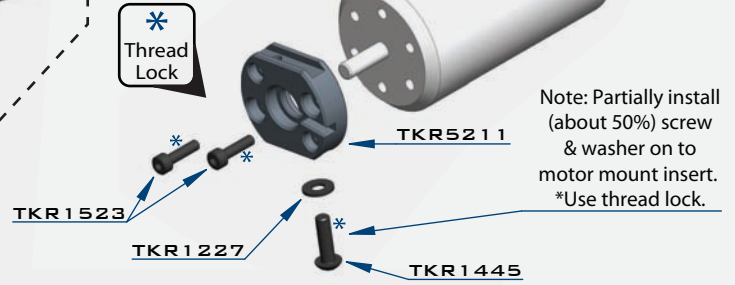
**STEP 0-1**



Battery Strap Installation:  
1. Fit straps loosely  
2. Position on chassis  
3. Proceed to step 0-2

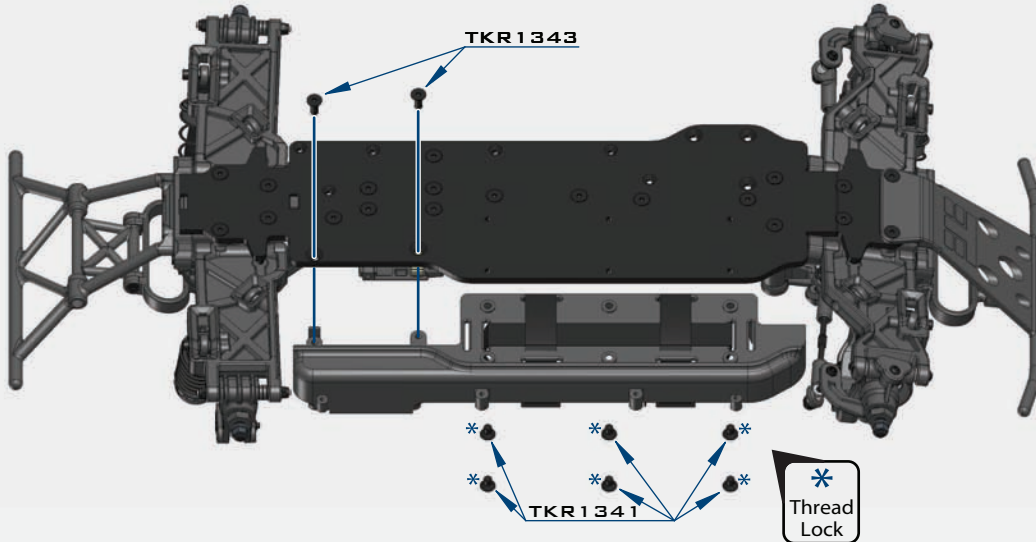
Motor (not included)

**STEP 0-2**

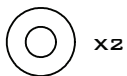
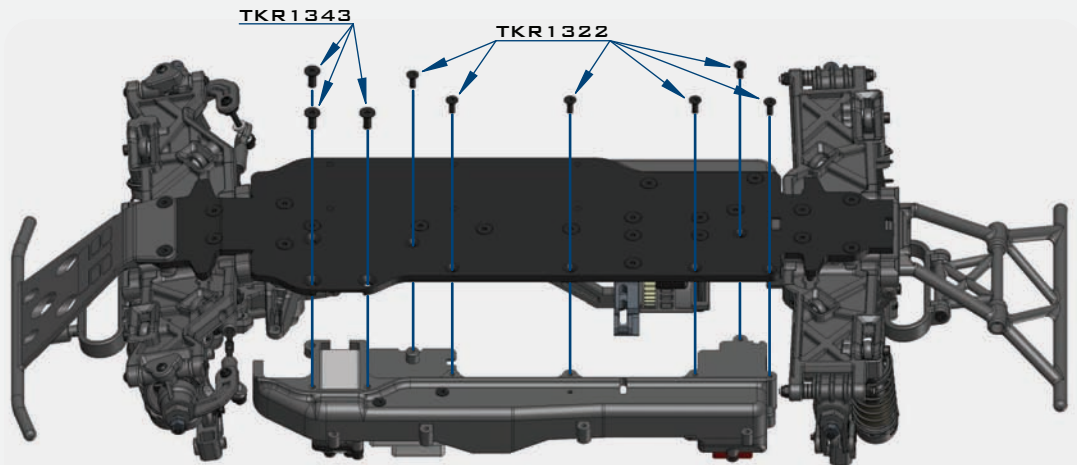


Note: Partially install (about 50%) screw & washer on to motor mount insert. \*Use thread lock.

**STEP 0-3**

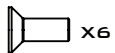


**STEP 0-4**



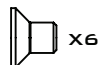
x2

TKR1227  
M4X9MM WASHER



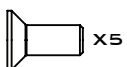
x6

TKR1322  
M3X8MM FLAT HEAD SCREW



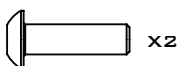
x6

TKR1341  
M4X6MM FLAT HEAD SCREW



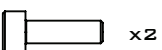
x5

TKR1343  
M4X10MM FLAT HEAD SCREW



x2

TKR1445  
M4X14MM BUTTON HEAD SCREW

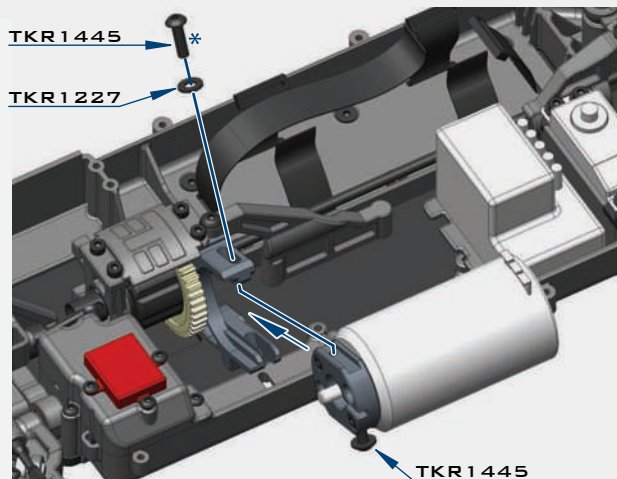


x2

TKR1523  
M3X10MM CAP HEAD SCREW

**STEP 0-5**

\*  
Thread Lock

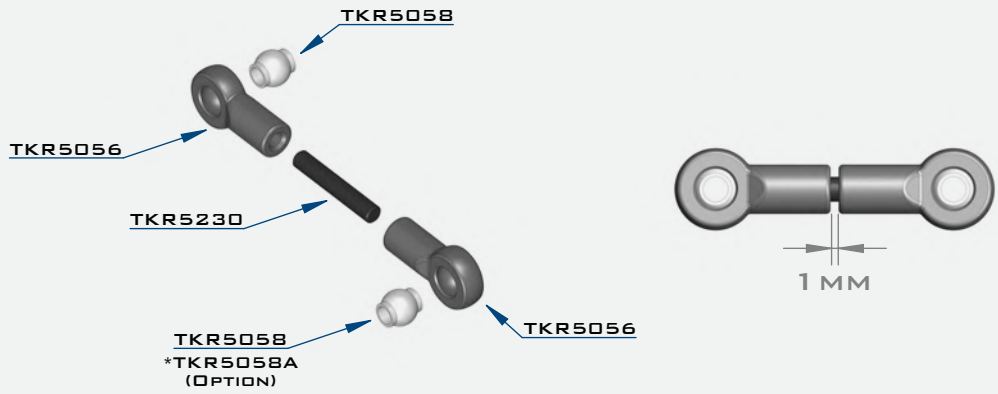


Note: Install MOD1 pinion (TKR4171-4190) or Tekno RC Traktion Drive / Elektri-Clutch slipper system (TKR4301X) at this step. Adjust gear mesh and tighten screws (TKR1445) well. \*Use thread lock.

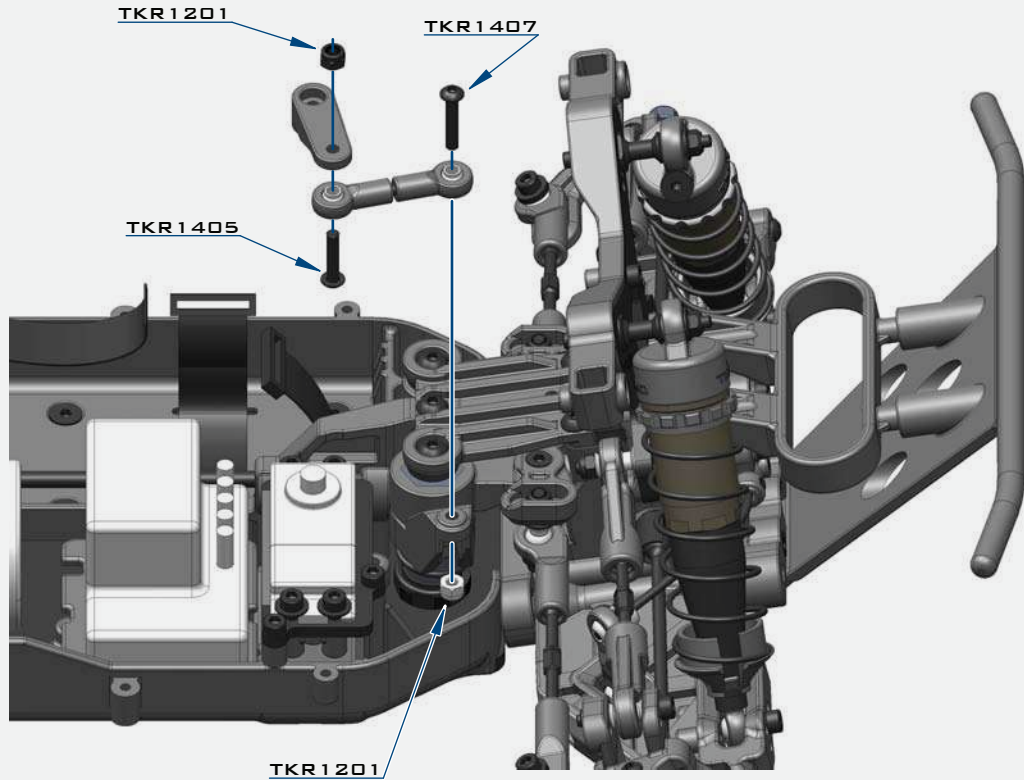
# BAG 0

## FINAL ASSEMBLY


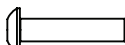
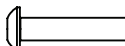

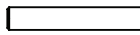
**STEP**  
**0-6**

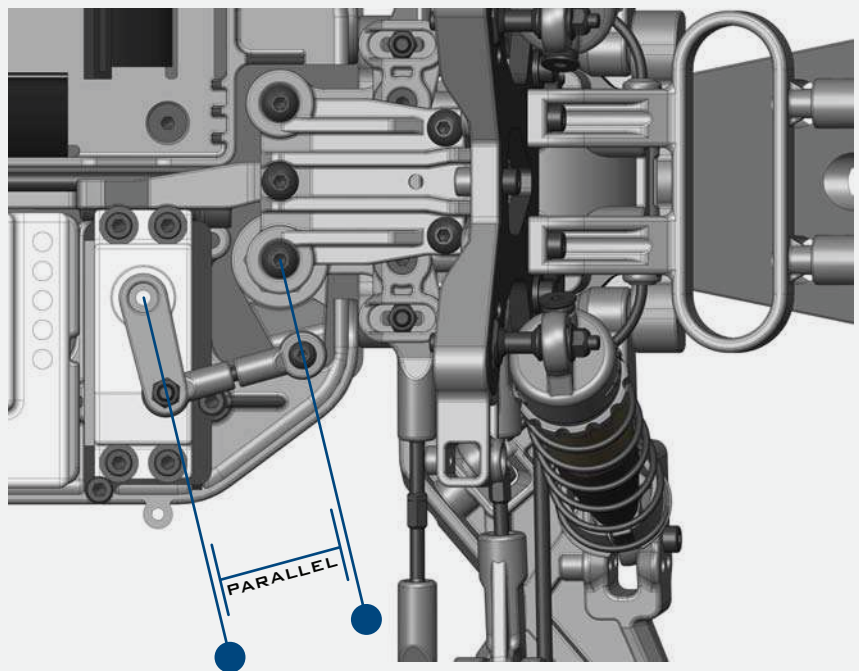


**STEP**  
**0-7**



**STEP**  
**0-8**

-  x2  
TKR1201  
M3 LOCK NUT BLACK
-  x1  
TKR1405  
M3X14MM BUTTON HEAD SCREW
-  x1  
TKR1407  
M3X16MM BUTTON HEAD SCREW
-  x2  
TKR5058  
PIVOT BALL M3X5.8MM  
NO FLANGE
-  x1  
TKR5230  
M3X18 THREADED ROD



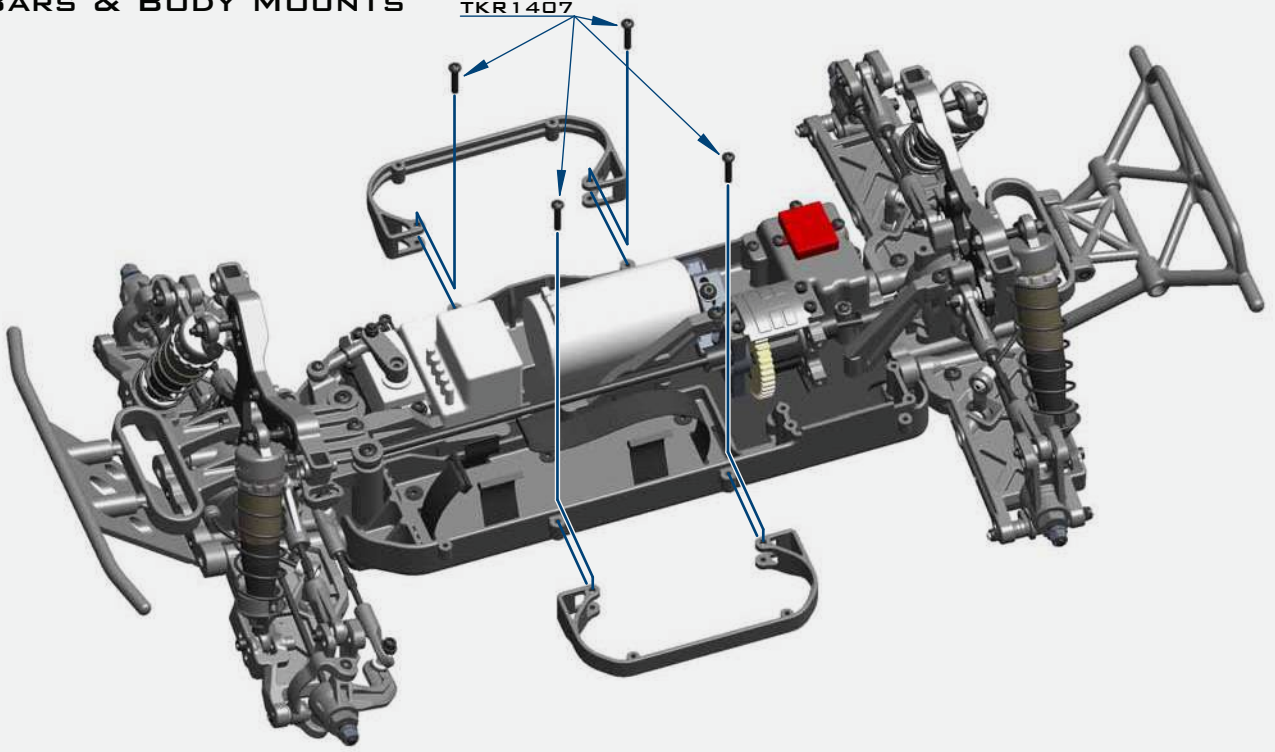
Note: Offset servo arm so it is parallel with the connecting arm at neutral or zero servo position.

# BAG P

## NERF BARS & BODY MOUNTS

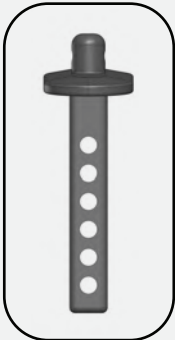
TKR1407

STEP  
P-1

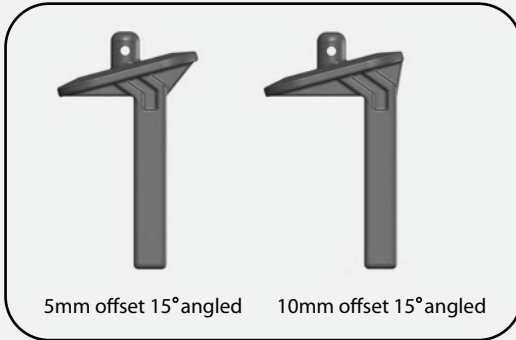


STEP  
P-2

### FRONT

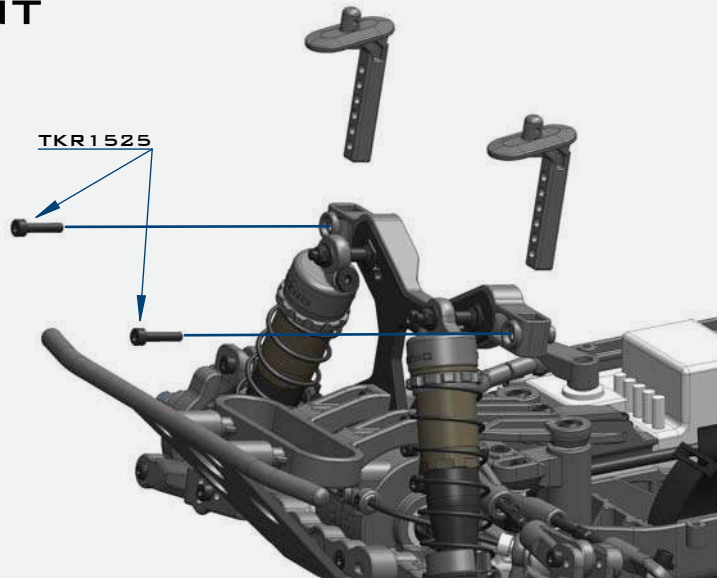


Insert post and  
adjust height to  
provide proper  
body clearance



5mm offset 15° angled    10mm offset 15° angled

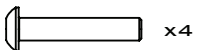
Choose the post with the offset that  
matches your specific body holes



TKR1525

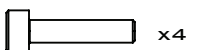
STEP  
P-3

### REAR



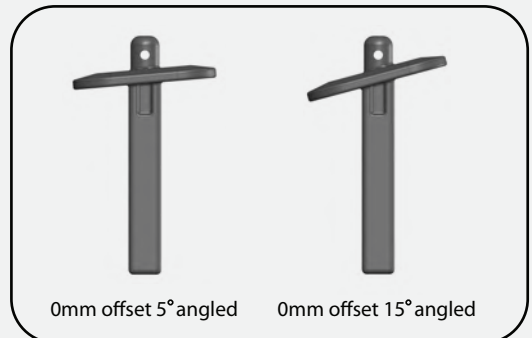
x4

TKR1407  
M3X16MM BUTTON HEAD SCREW



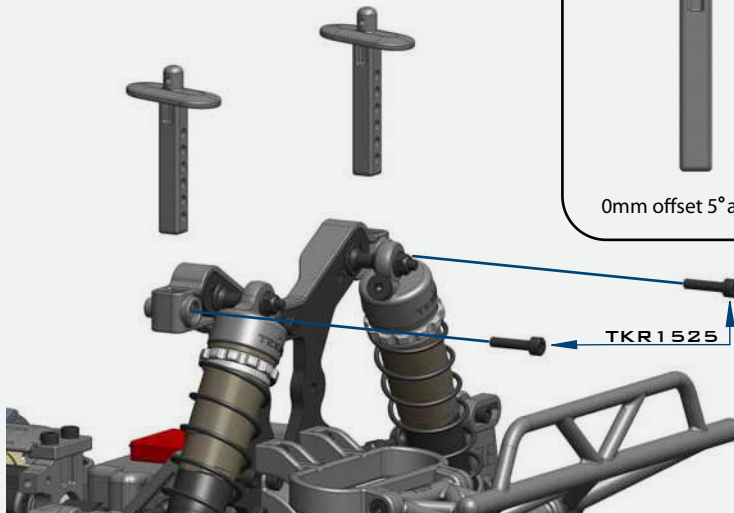
x4

TKR1525  
M3X14MM CAP HEAD SCREW



0mm offset 5° angled    0mm offset 15° angled

Choose the post with the angle  
that matches your specific body



TKR1525

# BAG P

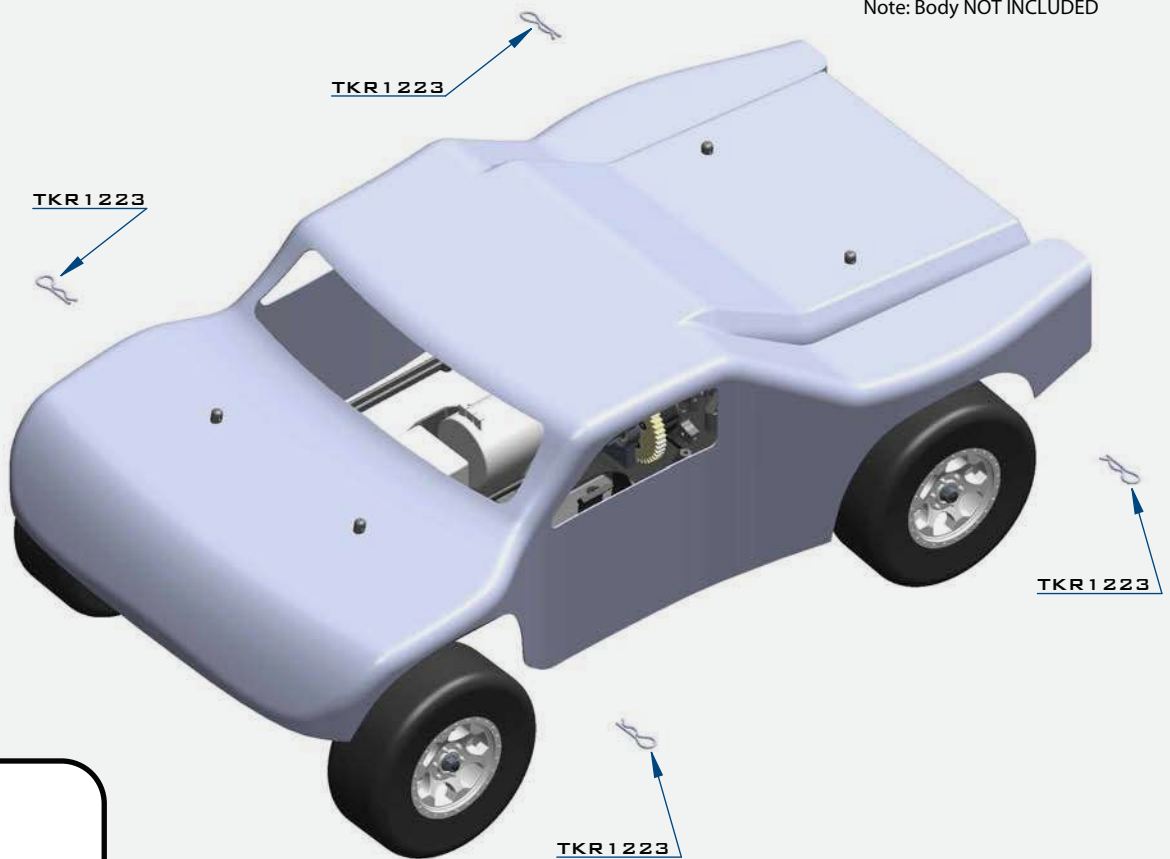
WHEELS/BODY

STEP  
P-4



Note: Wheels and Tires NOT INCLUDED

STEP  
P-5



Note: Body NOT INCLUDED



x4

TKR1213  
M4 LOCK NUT FLANGE BLACK



x4

TKR1223  
BODY CLIP



TKR5500 - SCT410 1/10th Competition 4x4 Short Course Complete Kit  
 TKR5000F - Chassis (7075, hard anodized, lightened)  
 TKR5001 - Chassis (7075, black anodized)  
 TKR5012 - Gearbox (front)  
 TKR5016 - Gearbox (rear)  
 TKR5013 - Adjustable Hinge Pin Braces (rear, 7075 CNC, gun metal ano)  
 TKR5017 - Adjustable Hinge Pin Braces (front, 7075 CNC, gun metal ano)  
 TKR5020 - Hinge Pins (inner, front/rear)  
 TKR5021 - Hinge Pin Inserts, Wheelbase Shims (complete set)  
 TKR5033 - Rear Arm Mud Guards  
 TKR5049 - Pivot Balls (6.8mm, no flange, sway bars, shock ends, 4pcs)  
 TKR5049A - Pivot Balls (6.8mm, no flng, sway bar, shck ends, almmn, 4pcs)  
 TKR5050 - Turnbuckle (camber link, front/rear, 2pcs)  
 TKR5051 - Rod Ends (6.8mm, camber links, 8pcs)  
 TKR5052 - Pivot Balls (6.8mm, inside camber, steering links, 4pcs)  
 TKR5052A - Pivot Balls (6.8mm, inside camber, steering links, aluminum, 4pcs)  
 TKR5053 - Pivot Balls (6.8mm, flanged, outside camber, 4pcs)  
 TKR5053A - Pivot Balls (6.8mm, flanged, outside camber, aluminum, 4pcs)  
 TKR5056 - Rod Ends (5.8mm, brake/steering/sway bar linkage, 8pcs)  
 TKR5058 - Pivot Balls (5.8mm, no flange, brake/steering linkage, 4pcs)  
 TKR5058A - Pivot Balls (5.8mm, no flange, brake/steering link, aluminum, 4pcs)  
 TKR5060 - Steering Servo Brace (aluminum, gun metal ano)  
 TKR5060C - Steering Servo Brace (carbon fiber)  
 TKR5062 - Chassis Brace Set (front/rear/center)  
 TKR5065 - ESC Tray and Radio/Battery Tray Accessories  
 TKR5079 - Stabilizer Balls (6.8mm, sway bars, 4pcs)  
 TKR5079A - Stabilizer Balls (6.8mm, sway bars, aluminum, 4pcs)  
 TKR5080 - Sway Bar (f/r, 2.2mm)  
 TKR5081 - Sway Bar (f/r, 2.3mm)  
 TKR5082 - Sway Bar (f/r, 2.4mm)  
 TKR5083 - Sway Bar (f/r, 2.5mm)  
 TKR5084 - Sway Bar (f/r, 2.6mm)  
 TKR5085 - Sway Bar (f/r, 2.8mm)  
 TKR5086 - Sway Bar Mounts  
 TKR5087 - Sway Bar (f/r, 3.0mm)  
 TKR5100 - Ackerman Plate (aluminum, gun metal ano)  
 TKR5102 - Steering Posts (steel)  
 TKR5102A - Steering Posts (aluminum, black ano)  
 TKR5103 - Servo Saver Post (aluminum, gun metal ano)  
 TKR5104 - Steering Bell Cranks  
 TKR5107 - Steering Top Plate, Center Diff Top Plate, Center Diff Rear Support  
 TKR5117 - Ackerman Plate (composite)  
 TKR5122 - Steering Rack Bushings (aluminum, gun metal ano, 2pcs)  
 TKR5123 - Turnbuckle (steering links, 2pcs)  
 TKR5125 - O-Ring (ESC tray, 3pcs)  
 TKR5126 - Antenna tube (universal, w/ caps, 5pcs)  
 TKR5210X - Center Diff Motor Mount (7075, lightened, gun metal ano)  
 TKR5211 - Motor Mount Insert (aluminum, gun metal ano)  
 TKR5211X - Motor Mount Insert (lightened, aluminum, gun metal ano)  
 TKR5217 - Center Diff Rear Support (aluminum, gun metal ano)  
 TKR5220 - Servo Horns (steering, brakes)  
 TKR5230 - Steering linkage (M3x18mm threaded rod, 10pcs)  
 TKR5231 - Servo Saver Nut and Spring  
 TKR5237 - Spur Gear (44t, composite)  
 TKR5240 - Adjustable Hinge Pin Braces (front and rear, composite)  
 TKR5502 - Nerf Bars (SCT410, left, right)  
 TKR5510 - Battery Tray, Mud Guard (SCT410, left side)  
 TKR5511 - Radio Tray, Mud Guard (SCT410, right side)  
 TKR5518 - Front Bumper Set (SCT410)  
 TKR5527 - Shock Standoffs (SCT410, 2pcs)  
 TKR5528 - Shock Tower (front, 7075 CNC, gun metal ano)  
 TKR5529 - Shock Tower (rear, 7075 CNC, gun metal ano)  
 TKR5530 - Suspension Arms (SCT410, rear, 2pcs)  
 TKR5534 - Hinge Pins (SCT410, outer, rear)  
 TKR5536 - Suspension Arms (SCT410, front, 2pcs)  
 TKR5540T1 - Rear Hubs (SCT410, L/R, +1 degree toe)  
 TKR5541 - Spindles (SCT410, left and right)  
 TKR5542 - Spindle Carriers (SCT410, left, right)  
 TKR5547 - Decal Sheet (SCT410)  
 TKR5550 - Turnbuckle (camber link, front, 2pcs)  
 TKR5554 - Spindle Bushings (SCT410, 4pcs)  
 TKR5554A - Spindle Bushings (SCT410, 4pcs, aluminum, hard ano)  
 TKR5555 - Arm Bushings (SCT410, 4pcs)  
 TKR5555A - Arm Bushings (SCT410, 4pcs, aluminum, hard ano)  
 TKR5570 - Stub Axles (SCT410, hardened steel, 2pcs)  
 TKR5570-17 - 17mm Hub Adapters (SCT410, 1/8 buggy width, 2pcs)  
 TKR5571 - Wheel Hexes (SCT410, 12mm, composite, black)  
 TKR5571-17 - 17mm Hub Adapter Set (SCT410, SCT width, composite, 4pcs)  
 TKR5572 - Driveshafts (SCT410, f/r, hardened steel, 2pcs)  
 TKR5575 - Diff Coupler (SCT410, f/r, hardened steel)  
 TKR5575X - Diff Coupler (SCT410, f/r, hardened steel, lightened)  
 TKR5576 - Driveshaft (SCT410, center, rear, hardened steel)  
 TKR5577 - Driveshaft (SCT410, center, front, 7075 aluminum, gun metal ano)  
 TKR5578 - Driveshaft (SCT410, center, front, hardened steel)  
 TKR5791 - Body Mount Set (front, rear, SCT410)  
 TKR5799 - Rear Bumper Set (SCT410)  
 TKR6856 - CV Rebuild kit (f/r, for 2 axles)

#### Differential Spares/Options List

TKR5110 - Diff Pinion (10T, CNC)  
 TKR5111 - Differential Ring Gear (40t)  
 TKR5113 - Differential Case (f/c/r)  
 TKR5614 - Differential Outdrives (SCT410 f/c/r)  
 TKR5614X - Differential Outdrives (SCT410, f/c/r, lightened)  
 TKR5115 - Spur Gear (44t, hardened steel, lightened)  
 TKR5143 - Differential Seals (3pcs)  
 TKR5144 - Differential O-Rings (6pcs)  
 TKR5145 - Differential Shims (6x17mm, 6pcs)  
 TKR5647 - Complete Center Differential (SCT410)  
 TKR5648 - Complete F/R Differential (SCT410)  
 TKR5149 - Differential Cross Pins (6pcs)  
 TKR5150 - Differential Gear Set (internal gears only)

#### Shock Spares List

TKR6002 - Shock Body (front, aluminum, hard ano, 2pcs)  
 TKR6003 - Shock Caps (aluminum, black ano, 2pcs)  
 TKR6004 - Shock Shafts (front, steel, 2pcs)  
 TKR6004T - Shock Shafts w/ DLC coating (front, steel, 2pcs)  
 TKR6005 - Shock Rod Ends and Spring Perches (6.8mm, shock ends, 4pcs)  
 TKR6008 - Shock Shaft Guide, Piston, and Bushing Set (for 2 shocks)  
 TKR6009 - Shock O-Ring and Bladder Set (for 2 shocks)  
 TKR6013 - Shock Adjustment Nuts (aluminum, gun metal ano, 2pcs)  
 TKR6015 - Shock Cartridge Caps (aluminum, gun metal ano, 2pcs)  
 TKR6016 - Shock Body (rear, aluminum, hard ano, 2pcs)  
 TKR6017 - Shock Shafts (rear, steel, 2pcs)  
 TKR6017T - Shock Shafts w/ DLC coating (rear, steel, 2pcs)  
 TKR6018 - Shock Cap and Spring Adjuster Set (composite, for 2 shocks)  
 TKR6021 - Shock Set (front, complete)  
 TKR6022 - Shock Set (rear, complete)  
 TKR6023 - Shock Boot Set (2 front, 2 rear)  
 TKR6030 - Shock Spring Set (rear, 1.4 x 11.0T, 85mm, pink)  
 TKR6031 - Shock Spring Set (rear, 1.4 x 10.5T, 85mm, green)  
 TKR6032 - Shock Spring Set (rear, 1.4 x 10.0T, 85mm, yellow)  
 TKR6041 - Shock Spring Set (rear, 1.4 x 12.5T, 80mm, white)  
 TKR6042 - Shock Spring Set (rear, 1.4 x 12.0T, 80mm, grey)  
 TKR6043 - Shock Spring Set (rear, 1.4 x 11.5T, 80mm, black)  
 TKR6046 - Shock Spring Set (front, 1.5 x 10.5T, 65mm, white)  
 TKR6047 - Shock Spring Set (front, 1.5 x 10.0T, 65mm, grey)  
 TKR6048 - Shock Spring Set (front, 1.5 x 9.5T, 65mm, black)  
 TKR6050 - Shock Pistons (CNC, conical, 10x1.1mm)  
 TKR6051 - Shock Pistons (CNC, conical, 8x1.3mm)  
 TKR6052 - Shock Pistons (CNC, conical, 10x1.2mm)

#### Bearings List

TKRBB050825 - Ball Bearing (5x8x2.5mm, 4pcs)  
 TKRBB05114 - Ball Bearing (5x11x4, 4pcs)  
 TKRBB06103 - Ball Bearing (6x10x3, 4pcs)  
 TKRBB06124 - Ball Bearing (6x12x4, 4pcs)  
 TKRBB08165 - Ball Bearing (8x16x5, 4pcs)  
 TKRBB10154 - Ball Bearing (13x19x4, 4pcs)

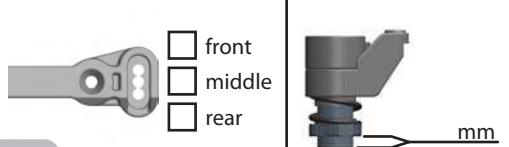
#### Hardware List

TKR1200 - M2.5 Locknuts (zinc finish, 10pcs)  
 TKR1201 - M3 Locknuts (black, 10pcs)  
 TKR1202 - M4 Locknuts (black, 10pcs)  
 TKR1211 - M3 Locknuts (flanged, black, 10pcs)  
 TKR1212 - M4 Locknuts (flanged, black, 10pcs)  
 TKR1213 - M4 Locknuts (aluminum, flanged, serrated, black, 4pcs)  
 TKR1221 - M3x8mm Washer (black, 10pcs)  
 TKR1222 - 13x16x.1mm Diff Shims (10pcs)  
 TKR1223 - Body Clips (10pcs)  
 TKR1226 - 5x7x2mm shims (10pcs)  
 TKR1227 - M4x9mm washer (plain, 10pcs)  
 TKR1322 - M3x8mm Flat Head Screws (black, 10pcs)  
 TKR1323 - M3x10mm Flat Head Screws (black, 10pcs)  
 TKR1327 - M3x16mm Flat Head Screws (black, 10pcs)  
 TKR1333 - M3x40mm Flat Head Screws (black, 10pcs)  
 TKR1341 - M4x6mm Flat Head Screws (black, 10pcs)  
 TKR1343 - M4x10mm Flat Head Screws (black, 10pcs)  
 TKR1344 - M4x12mm Flat Head Screws (black, 10pcs)  
 TKR1346 - M4x15mm Flat Head Screws (black, 10pcs)  
 TKR1401 - M3x6mm Button Head Screws (black, 10pcs)  
 TKR1402 - M3x8mm Button Head Screws (black, 10pcs)  
 TKR1404 - M3x12mm Button Head Screws (black, 10pcs)  
 TKR1407 - M3x16mm Button Head Screws (black, 10pcs)  
 TKR1443 - M4x10mm Button Head Screws (black, 10pcs)  
 TKR1445 - M4x14mm Button Head Screws (black, 10pcs)  
 TKR1522 - M3x8mm Cap Head Screws (black, 10pcs)  
 TKR1524 - M3x12mm Cap Head Screws (black, 10pcs)  
 TKR1525 - M3x14mm Cap Head Screws (black, 10pcs)  
 TKR1528 - M3x18mm Cap Head Screws (black, 10pcs)  
 TKR1529 - M3x20mm Cap Head Screws (black, 10pcs)  
 TKR1601 - M3x4mm Set Screws (black, 10pcs)  
 TKR1603 - M5x4mm Set Screws (black, 10pcs)

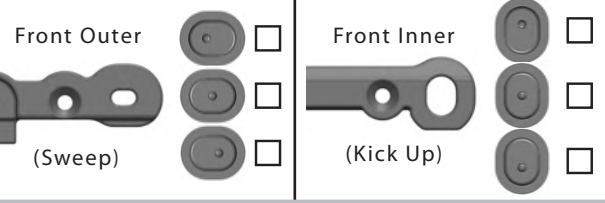
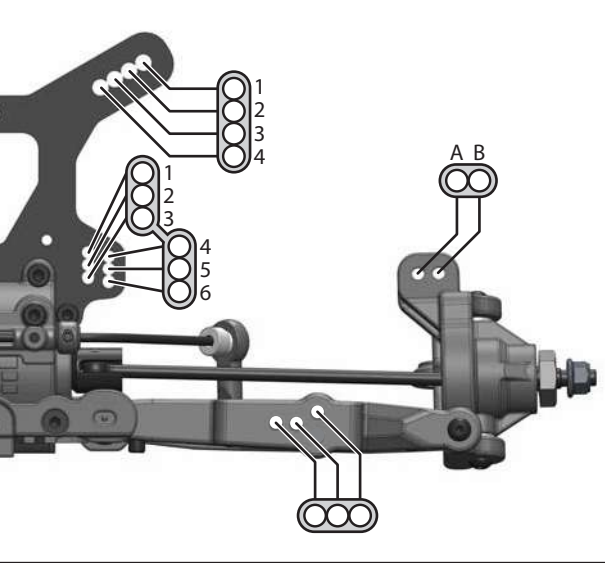
Name: \_\_\_\_\_ Date: \_\_\_\_\_ Event: \_\_\_\_\_

Track Conditions: Outdoor  Indoor  Wet  Dry  High Bite  Low Bite   
 Rough  Smooth  Hard Packed  Loose/Loamy  Blue Groove

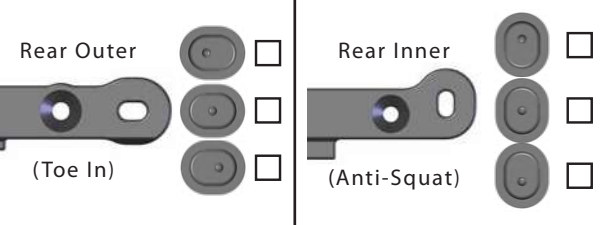
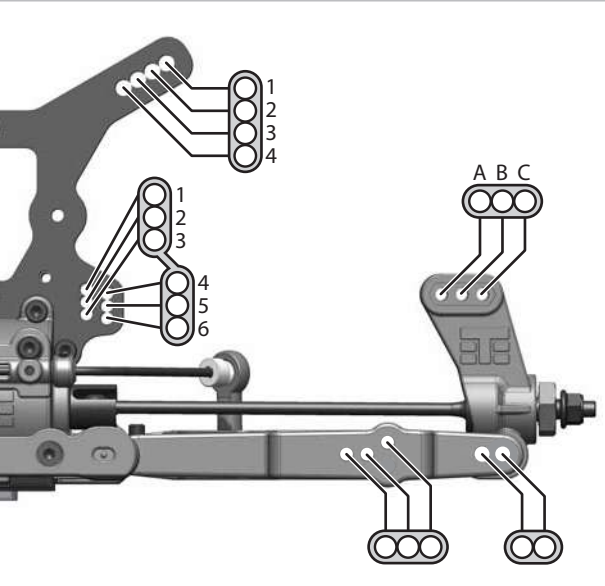
### Bumpsteer/Ackerman/Servo Saver:



### Front End:



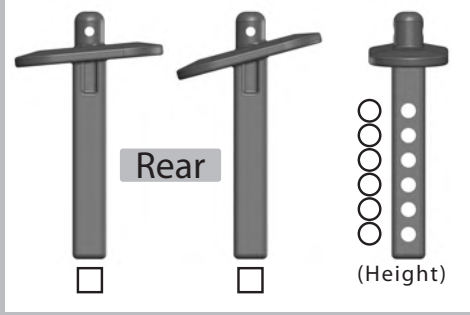
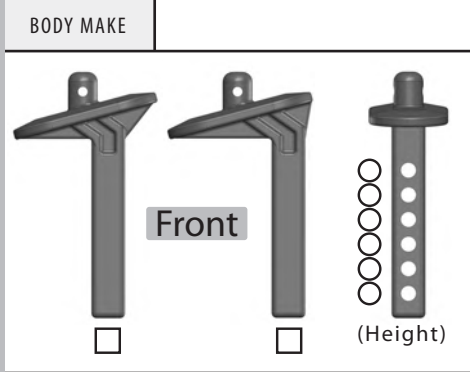
### Rear End:



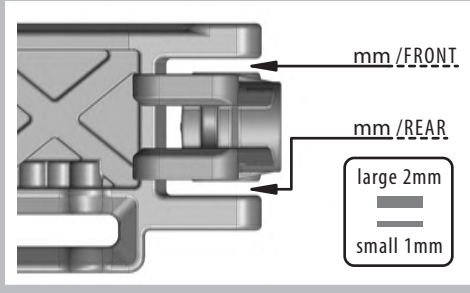
### Suspension:

	FRONT	REAR
RIDE HEIGHT		
CAMBER		
TOE (in/out)		
SWAY BAR		
SHOCK LENGTH (DROOP)		

### Body/Mounts:



### Wheelbase:



### Notes:

### Shocks:

	FRONT	REAR
OIL		
PISTON		
SPRING		
REBOUND	%	%
STD/EMUL/VENT		

### Tires / Wheels:

	FRONT	REAR
BRAND/TREAD		
COMPOUND		
INSERT		
WHEEL		

NOTES:

### Differential Oil:

FRONT	CENTER	REAR

### Electronics:

ESC: \_\_\_\_\_

Battery: \_\_\_\_\_

Motor: \_\_\_\_\_

Radio: \_\_\_\_\_

Servo: \_\_\_\_\_

### Drivetrain:

SPUR GEAR Metal  Composite

Traktion Drive  Elektri-Clutch  Pinion

PINION SIZE \_\_\_\_\_ (teeth)

Mechanical Brakes  Motor Brakes

### Chassis Braces:

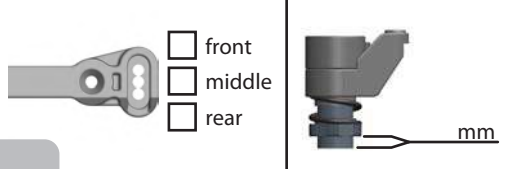
Front  Middle  Rear

(front brace is always recommended)

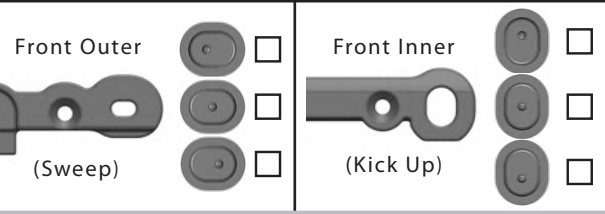
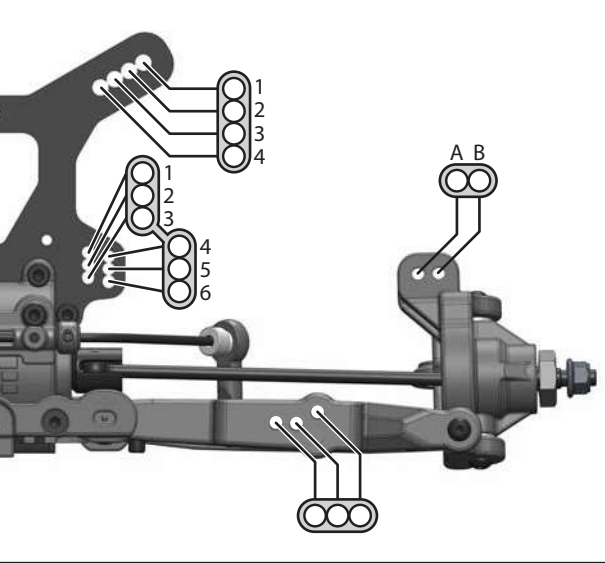
Name: \_\_\_\_\_ Date: \_\_\_\_\_ Event: \_\_\_\_\_

Track Conditions: Outdoor  Indoor  Wet  Dry  High Bite  Low Bite   
 Rough  Smooth  Hard Packed  Loose/Loamy  Blue Groove

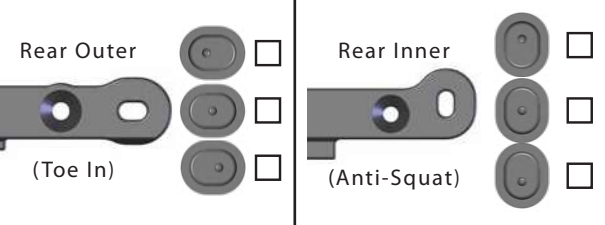
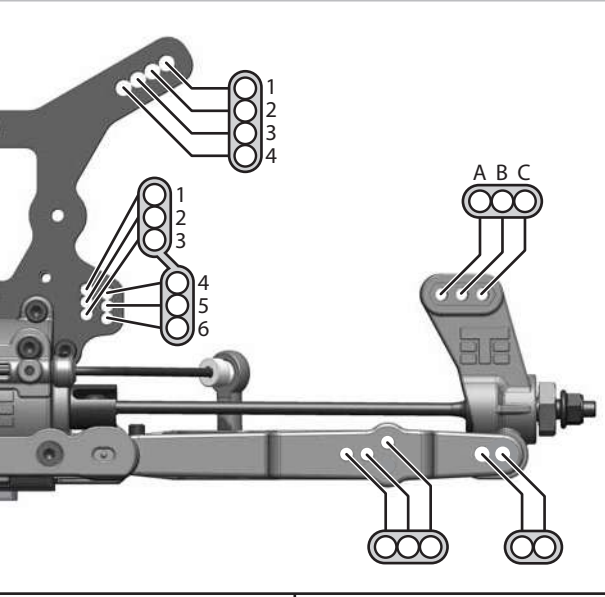
### Bumpsteer/Ackerman/Servo Saver:



### Front End:



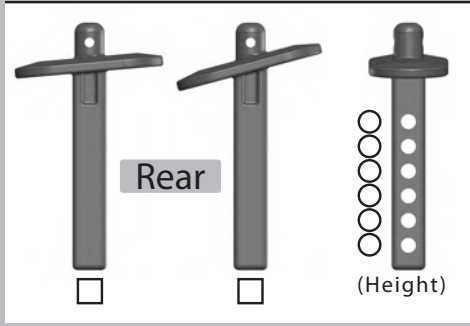
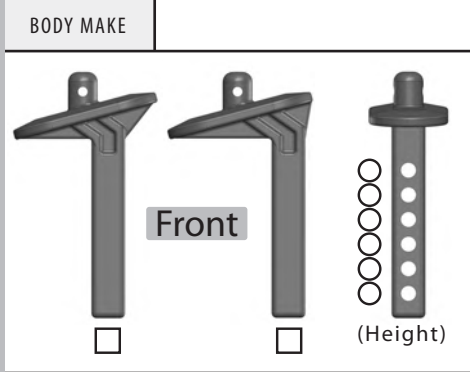
### Rear End:



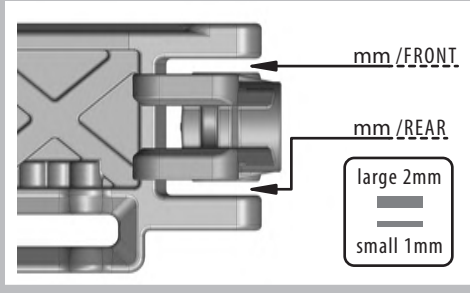
### Suspension:

	FRONT	REAR
RIDE HEIGHT		
CAMBER		
TOE (in/out)		
SWAY BAR		
SHOCK LENGTH (DROOP)		

### Body/Mounts:



### Wheelbase:



### Notes:

### Shocks:

	FRONT	REAR
OIL		
PISTON		
SPRING		
REBOUND	%	%
STD/EMUL/VENT		

### Tires / Wheels:

	FRONT	REAR
BRAND/TREAD		
COMPOUND		
INSERT		
WHEEL		

NOTES:

### Differential Oil:

FRONT	CENTER	REAR

### Electronics:

ESC: \_\_\_\_\_  
 Battery: \_\_\_\_\_  
 Motor: \_\_\_\_\_  
 Radio: \_\_\_\_\_  
 Servo: \_\_\_\_\_

### Drivetrain:

SPUR GEAR	Metal <input type="checkbox"/>	Composite <input type="checkbox"/>
Traktion Drive	<input type="checkbox"/>	Elektri-Clutch <input type="checkbox"/> Pinion <input type="checkbox"/>
PINION SIZE		(teeth)
Mechanical Brakes	<input type="checkbox"/>	Motor Brakes <input type="checkbox"/>

### Chassis Braces:

Front  Middle  Rear   
 (front brace is always recommended)

TEKNO 



Tekno RC  
10755 Scripps Poway Pkwy #598  
San Diego CA 92131  
USA

[www.teknorc.com](http://www.teknorc.com)